

**iQ300, Free-standing
fridge-freezer with freezer at
bottom, 186 x 60 cm, White
KG36N2WDF**



Bottom freezer with hyperFresh Box to keep fruit and vegetables fresh for longer, plus with noFrost technology you never have to defrost again.

- ✓ noFrost – Never defrost your freezer again.
- ✓ hyperFresh <math><0^{\circ}\text{C}></math> – More space for fruit and vegetables. A cold climate for fish and meat.
- ✓ High-gloss backwall with multiAirflow – Evenly chilled food and drinks on all levels.
- ✓ Control all functions easily and precisely with just a soft touch, using touchControl electronics.
- ✓ All eyes on freshness: The Premium LED lighting with its side and toplights illuminate every corner of your fridge.

Features

Technical Data

Energy Efficiency Class:	D
Average annual energy consumption in kilowatt hour per year (kWh/a):	199 kWh/annum
Sum of volume of frozen compartments:	103 l
Sum of volume of chill compartments:	218 l
Airborne acoustical noise emissions :	35 dB(A) re 1 pW
Airborne acoustical noise emission class:	B
Built-in / Free-standing:	Freestanding
Door panel options:	Not possible
Height:	1860 mm
Width of the appliance:	600 mm
Dimensions:	665 mm
Weight:	63.8 kg
Fuse protection:	10 A
Door opening:	Right reversible
Nominal power:	220-240 V
Frequency:	50 Hz
Length electrical supply cord:	231.0 cm
Number of compressors:	1
Number of independent cooling systems:	2
Interior ventilator:	No
Reversible Door Hinge:	Yes
Number of Adjustable Shelves in fridge compartment:	2
Shelves for Bottles:	Yes
Frost free system:	Fridge and freezer
Installation type:	Freestanding



iQ300, Free-standing fridge-freezer with freezer at bottom, 186 x 60 cm, White KG36N2WDF

Features

- Standard door White
- White doors and white side panels
- Integrated vertical handle

Performance and Consumption

- EU19_EEK_D: D
- Total Volume : 321 l
- Net Fridge Volume : 218 l
- Net Freezer Volume : 103 l
- Freezing capacity 24h : 9.5 kg
- Annual Energy Consumption: 199 kWh/a
- Climate Class: SN-T
- EU19_Fast freezer facility_D
- Noise Level : 35 dB , EU19_Noise emission class_D: B
- Temperature rise time : EU19_Temperature rise time_D: 14 H

Functions

- Super Cooling: automatic deactivation
- Twin evaporators allows independent temperature control and ensures there is no transference of humidity between the fridge and freezer cavity.

Design features

- Optical and acoustical door open warning system
- Electronic control (2 LED chains)

Food freshness system

- coolBox - extra cold fridge drawer. Ideal to store meat and fish.
- 1 hyperFresh box with integrated humidity control
- multiAirflow cooling - improves circulation of air around the fridge

Key features - Fridge section

- LED fridge light with Soft Start
- 4 safety glass shelves of which 2 are height adjustable
- Bottle rack
- Door shelves in fridge door: 1 large and 2 small.

Key features - Freezer section

- Freezer malfunction warning signal: optical and acoustical
- Net freezer capacity: 103 litres
- Freezing capacity in 24 hours: 9.5 kg
- Maximum freezer storage time in power failure: 14 hours
- 3 freezer drawers
- 3 x egg tray, 2 x ice cube tray

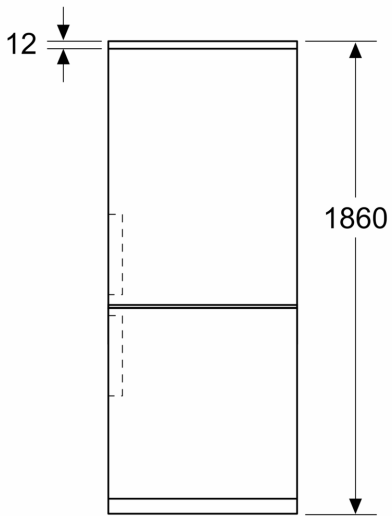
Dimension and installation

- Dimensions: 186 cm H x 60 cm W x 66.5 cm D
- Right hinged door, door reversible
- Height adjustable front feet
- 220 - 240 V
- Based on the results of the standard 24-hour test. Actual consumption depends on usage/position of the appliance.

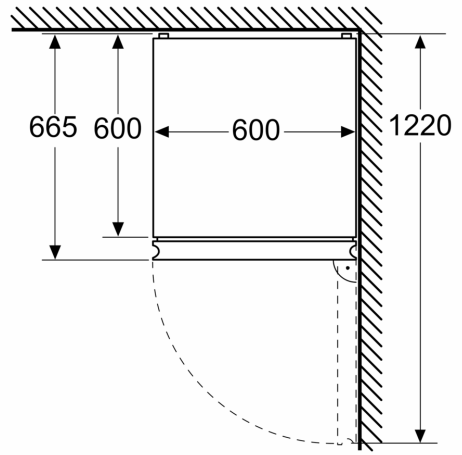
iQ300, Free-standing
fridge-freezer with freezer at
bottom, 186 x 60 cm, White
KG36N2WDF

Dimensioned drawings

Measurements in mm



Measurements in mm



Measurements in mm

