

Series 4, French door bottom freezer, multi door, 183 x 90.5 cm, Brushed steel anti-fingerprint KFN96APEAG



This refrigerator with VitaFresh Box: cools very efficiently - thanks to the cooling compartment, your fruits and vegetables stay fresh longer.

- **XXL capacity:** extra space for your food when you need it.
- **VitaFresh XXL <0°C>:** keeps food fresh for longer in extra-large climate-controlled fridge drawers.
- **No Frost:** never defrost again, thanks to perfect protection from ice formation - that saves time and effort.
- **Multi Airflow System:** even air distribution for longer freshness.
- **LED lighting:** all your items in perfect view.

Energy Efficiency Class: E
Average annual energy consumption in kilowatt hour per year (kWh/a): 333 kWh/annum
Sum of volume of frozen compartments: 200 l
Sum of volume of chill compartments: 405 l
Airborne acoustical noise emissions : 38 dB(A) re 1pW
Airborne acoustical noise emission class: C
Built-in / Free-standing: Freestanding
Door panel options: Not possible
Height: 1830 mm
Width of the appliance: 905 mm
Depth: 731 mm
Net weight: 118.3 kg
Fuse protection: 10 A
Door hinge: left and right
Voltage: 220-240 V
Frequency: 50-60 Hz
Length electrical supply cord: 240.0 cm
Number of compressors: 1
Number of independent cooling systems: 1
Interior ventilator: Yes
Reversible Door Hinge: No
Number of Adjustable Shelves in fridge compartment: 3
Shelves for Bottles: No
Frost free system: Fridge and freezer
Installation typology: Free-standing



4 242005 273317

Series 4, French door bottom freezer, multi door, 183 x 90.5 cm, Brushed steel anti-fingerprint KFN96APEAG

This refrigerator with VitaFresh Box: cools very efficiently - thanks to the cooling compartment, your fruits and vegetables stay fresh longer.

- 1 VitaFresh drawer - Fish and meat stay fresh for longer
- 1 CrisperBox - vegetable/salad container with humidity control

Dimension and installation

- 220 - 240 V
- Dimensions: 183 cm H x 90.5 cm W x 73.1 cm D
- 4 wheels for easier transport, 3 of them height adjustable.
- Based on the results of the standard 24-hour test. Actual consumption depends on usage/position of the appliance.
- To achieve the declared energy consumption, the distanceholders have to be used. As a result, the appliance depth increases by about 3.5 cm. The appliance used without the distance holder is fully functional, but has a slightly higher energy consumption.

Performance and Consumption

- EU19_EEK_D: E
- Total Volume : 605 l
- Net Fridge Volume : 405 l
- Net Freezer Volume : 200 l
- Freezing capacity 24h : 13 kg
- Annual Energy Consumption: 333 kWh/a
- Climate Class: SN-T
- EU19_Fast freezer facility_D
- Noise Level : 38 dB , EU19_Noise emission class_D: C
- Temperature rise time : EU19_Temperature rise time_D: 15 H
- No Frost, Free-standing-refrigerator >= 3 door

Design features

- Standard door Stainless Steel EasyClean
- Standard door
- Stainless Steel EasyClean door and chrome inox metallic side panels.
- Interior design with metal applications
- Metal backwall

Key features - Fridge section

- Electronic control for fridge and freezer with LED display
- 4 safety glass shelves of which 3 are height adjustable, Standard shelf 2 shelves extendable
- Door shelves in fridge door: 2 large and 2 small.
- Super Cooling: automatic deactivation
- 1 dairy compartment in door
- Automatic defrost fridge
- Bright interior LED fridge light in fridge section
- 4 safety glass shelves (3 height adjustable)
- 2 removable door storage compartments.
- Sabbath Mode
- optical, acoustic for Fridge and Freeze

Key features - Freezer section

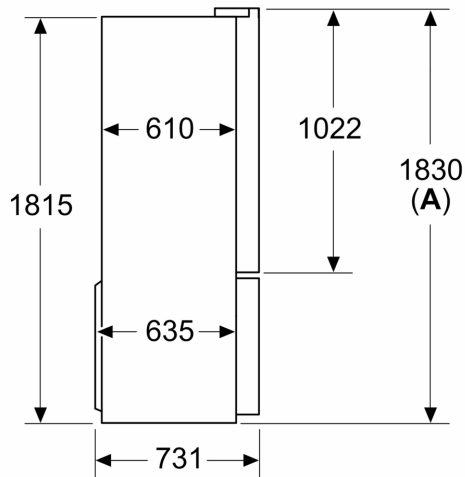
- Bright interior LED fridge light
- 6 freezer drawers
- Net 4* compartment volume : 200 l
- No Frost
- 1 ice cube tray
- Freezer malfunction warning signal: optical, acoustical
- Freezer malfunction warning signal: Acoustic Warning System

Food freshness system

- MultiAirflow system - improves circulation of air around the fridge

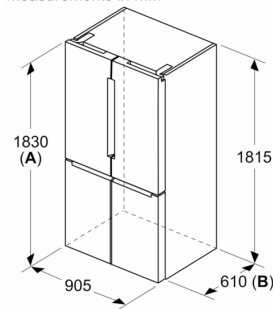
**Series 4, French door bottom
freezer, multi door, 183 x 90.5 cm,
Brushed steel anti-fingerprint
KFN96APEAG**

Measurements in mm



A: Front is adjustable 1830–1847 mm, with front levelling feet fully extended

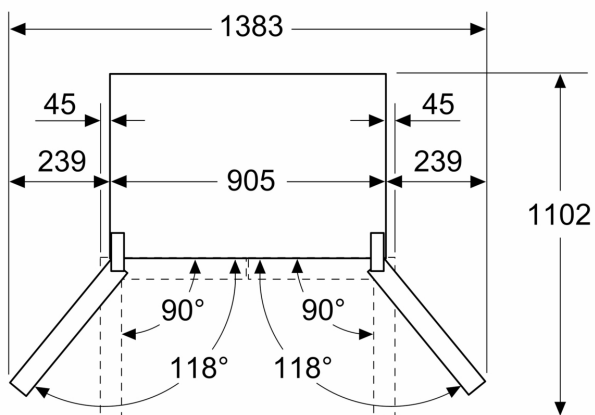
Measurements in mm



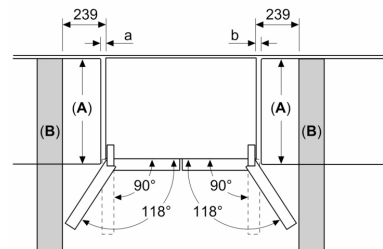
A: Front is adjustable 1830–1847 mm, with front levelling feet fully extended

B: Add 25 mm for fixed spacers on back

Measurements in mm



Measurements in mm



A	a	b
≤ 600	0	0
600 < A ≤ 650	45	45
650 < A ≤ 700	60	60
> 700	239	239

A: Kitchen cabinet or worktop depth

B: Wall
Drawers can be pulled and taken out with door open to 90°