

**Series 6, American side by side,  
178.7 x 90.8 cm, Brushed steel  
anti-fingerprint  
KAD93AIERG**



**The NoFrost side-by-side fridge-freezer  
with indoor electronics: provides a  
modern door display**

- **Ice dispenser:** Mains water connection to ensure a bountiful supply of ice cubes
- **XXL capacity:** extra space for your food when you need it.
- **LED lighting:** all your items in perfect view.
- **VarioZone:** more flexibility due to variable-use glass shelves and drawers in the freezer compartment.
- **Super Cool function:** cools new food faster, to protect what is already inside.

---

Energy Efficiency Class: .....	E
Average annual energy consumption in kilowatt hour per year (kWh/a): .....	323 kWh/annum
Sum of volume of frozen compartments: .....	191 l
Sum of volume of chill compartments: .....	371 l
Airborne acoustical noise emissions : .....	42 dB(A) re 1pW
Airborne acoustical noise emission class: .....	D
Built-in / Free-standing: .....	Freestanding
Door panel options: .....	Not possible
Height: .....	1787 mm
Width of the appliance: .....	908 mm
Depth: .....	707 mm
Net weight: .....	113.2 kg
Connection rating: .....	240 W
Fuse protection: .....	10 A
Door hinge: .....	left and right
Voltage: .....	220-240 V
Frequency: .....	50 Hz
Length electrical supply cord: .....	170.0 cm
Number of compressors: .....	1
Number of independent cooling systems: .....	1
Interior ventilator: .....	No
Reversible Door Hinge: .....	No
Number of Adjustable Shelves in fridge compartment: .....	0
Shelves for Bottles: .....	Yes
EAN code: .....	4242005473274
Brand: .....	Bosch
Product name / Commercial code: .....	KAD93AIERG
Frost free system: .....	Fridge and freezer
Installation typology: .....	N/A
Included accessories: .....	1 x connection hose, 1 x egg tray

---



## Series 6, American side by side, 178.7 x 90.8 cm, Brushed steel anti-fingerprint KAD93AIERG

### The NoFrost side-by-side fridge-freezer with indoor electronics: provides a modern door display

- No Frost, American-style fridge freezer
- High-door design Stainless Steel EasyClean

#### Performance and Consumption

- EU19\_EEK\_D: E
- Total Volume : 562 l
- Annual Energy Consumption: 323 kWh/a
- Noise Level : 42 dB , EU19\_Noise emission class\_D: D

#### Functions

- Stainless Steel EasyClean doors and grey side panels
- Aluminium Vertical door handle
- Bright interior LED fridge light

#### Design features

- NO\_FROST\_NEU\_BL, never have to defrost ever again
- In-door electronic LCD display of fridge and freezer temperatures
- Separate temperature control for cooling and freezing section
- Super Cooling: automatic deactivation
- SuperFreezing function with automatic deactivation
- Optical and accoustical

#### Ice and Water

- Illuminated water and ice dispenser
- Automatic ice cube maker
- Internal water filter

#### Design features

- Net Fridge Volume : 371 l
- MultiAirflow system - improves circulation of air around the fridge
- 5 safety glass shelves of which 0 are height adjustable
- 3 removable door storage compartments.

#### Freshness System

- 2 MultiBox drawers on rails - Transparent drawers with a corrugated bottom, ideal for storing fruits and vegetables.

#### Food freshness system

- Net Freezer Volume : 191 l
- Freezing capacity 24h : 12 kg
- EU19\_Fast freezer facility\_D
- 2 freezer drawers
- 3 door trays in the freezing compartment

#### Key features - Fridge section

- 4 height adjustable feet
- Climate Class: SN-T
- Connection Length (water supply):300 cm
- Length of power cord:170 cm

#### Dimension and installation

- Dimensions: 178.7 cm H x 90.8 cm W x 70.7 cm D
- 220 - 240 V

#### Key features - Freezer section

- 1 x connection hose, 3 x egg tray

#### Included accessories

#### Country Specific Options

- Based on the results of the standard 24-hour test. Actual consumption depends on usage/position of the appliance.

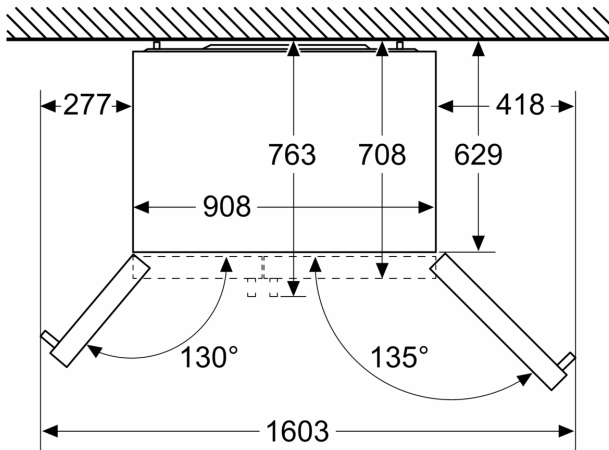
#### Design features

#### Dimension and installation

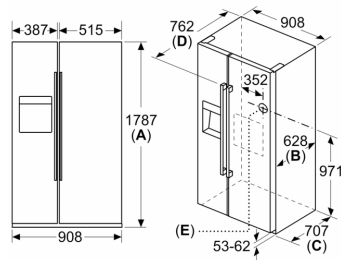
#### Additional features

**Series 6, American side by side,  
178.7 x 90.8 cm, Brushed steel  
anti-fingerprint  
KAD93AIERG**

Measurements in mm

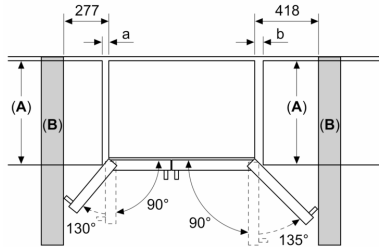


measurements in mm



Specifications	
<b>A</b>	Front is adjustable from 1783 to 1792
<b>B</b>	Cabinet depth
<b>C</b>	Depth incl. door, without handle
<b>D</b>	Depth incl. door, with handle
<b>E</b>	Water connection to the appliance

Measurements in mm



A	a	b
≤ 600	50	50
600 < A ≤ 650	50	50
650 < A ≤ 700	53	96
> 700	277	418

**A:** Kitchen cabinet or worktop depth

**B:** Wall  
Drawers can be pulled out with door open to 90°

Drawers can be taken out with door completely opened