

**iQ300, American side by side,  
178.7 x 90.8 cm, Brushed steel  
anti-fingerprint  
KA93NVIFP**



Side by side fridge freezer with two Fresh Boxes for lots of fresh vegetables and fruits, plus noFrost for no more defrosting. Plus the handy addition of a 4.5l water tank for dispensing ice and water.

- ✓ noFrost – Never defrost your freezer again.
- ✓ Plenty of space for weekly shopping thanks to extra high capacity.
- ✓ The IceTwister for ice cubes on demand. Easy to refill.
- ✓ superCooling: faster cooling for fresh food.
- ✓ superFreezing: fast freezing for even large quantities of food.

Energy Efficiency Class: .....	F
Average annual energy consumption in kilowatt hour per year (kWh/a): .....	413 kWh/annum
Sum of volume of frozen compartments: .....	208 l
Sum of volume of chill compartments: .....	372 l
Airborne acoustical noise emissions : .....	42 dB(A) re 1pW
Airborne acoustical noise emission class: .....	D
Built-in / Free-standing: .....	Freestanding
Door panel options: .....	Not possible
Height: .....	1787 mm
Width of the appliance: .....	908 mm
Dimensions: .....	707 mm
Weight: .....	99.2 kg
Connection Rating: .....	230 W
Fuse protection: .....	10 A
Door opening: .....	left and right
Nominal power: .....	220-240 V
Frequency: .....	50 Hz
Length electrical supply cord: .....	170.0 cm
Number of compressors: .....	1
Number of independent cooling systems: .....	1
Interior ventilator: .....	No
Reversible Door Hinge: .....	No
Number of Adjustable Shelves in fridge compartment: .....	0
Shelves for Bottles: .....	No
EAN code: .....	4242003863978
Brand: .....	Siemens
Product name / Commercial code: .....	KA93NVIFP
Frost free system: .....	Fridge and freezer
Installation type: .....	Freestanding
Included accessories: .....	1 x egg tray



## iQ300, American side by side, 178.7 x 90.8 cm, Brushed steel anti-fingerprint KA93NVIFP

### Design features

- Twist Ice Box removable
- Stainless steel anti-fingerprint doors and grey side panels
- Brushed aluminium vertical door handle
- NoFrost
- Automatic defrost in fridge section
- 1 compressor/1 cooling circuit
- multiAirflow cooling - improves circulation of air around the fridge
- Bright interior LED fridge light
- Removable magnetic door seals - easy to clean
- Optical and acoustical door open warning system

### Freshness System

- HyperFresh plus: keeps food fresh for up to twice as long

### Additional features

- 5 safety glass shelves in fridge compartment of which 0 are height adjustable
- 2 freezer drawers
- Left hinged, Right hinged door
- Height adjustable front feet

### Functions

- LED display for fridge and freezer
- Super Cooling: automatic deactivation
- superFreeze function with automatic deactivation

### Key features - Fridge section

- 2 HyperFresh vegetable container on rails
- 3 removable door storage compartments.
- Door shelves in fridge door: 3 large and 2 small.
- 3 x egg tray
- Bright interior LED fridge light in fridge section

### Key features - Freezer section

- Door trays in freezer door: 5
- To achieve the declared energy consumption, the attached distanceholders have to be used. As a result, the appliance depth increases by about 3.5 cm. The appliance used without the distance holder is fully functional, but has a slightly higher energy consumption.
- Dimensions: 178.7 cm H x 90.8 cm W x 70.7 cm D
- NoFrost, American fridge freezer
- premium door design Stainless steel anti-fingerprint

### Design features

- NO\_FROST\_NEU\_BL, never have to defrost ever again
- Indoor touch control electronics with digital display
- Separate temperature control for cooling and freezing section
- multiAirflow cooling - improves circulation of air around the fridge
- 5 safety glass shelves

- 2 HyperFresh vegetable container on rails

### Food freshness system

- 2 freezer drawers
- 5 door trays in the freezing compartment
- 4 height adjustable feet

### Dimension and installation

- Connection value 230 W
- 220 - 240 V
- Based on the results of the standard 24-hour test. Actual consumption depends on usage/position of the appliance.

### Dimension and installation

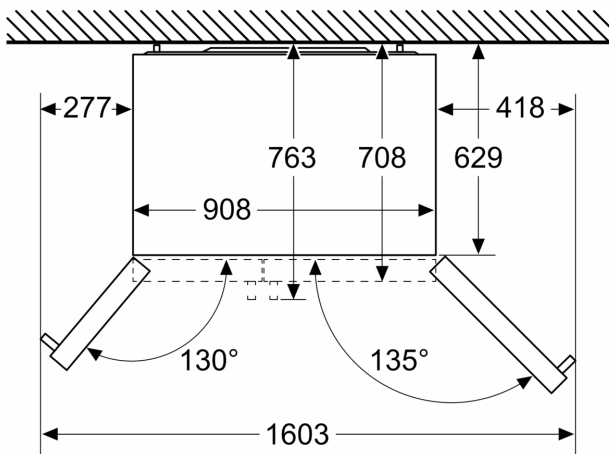
- Interior design with metal applications
- 5 removable safety glass shelves of which 0 are easy pull out
- vertical door handle
- 2 HyperFresh vegetable container on rails

### Performance and Consumption

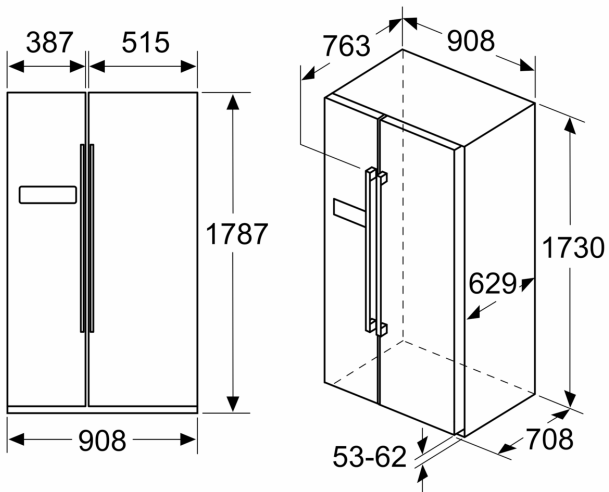
- EU19\_EEK\_D: F
- Total Volume : 580 l
- Net Fridge Volume : 372 l
- Net Freezer Volume : 208 l
- Freezing capacity 24h : 12 kg
- Annual Energy Consumption: 413 kWh/a
- Climate Class: SN-T
- Noise Level : 42 dB , EU19\_Noise emission class\_D: D

**iQ300, American side by side,  
178.7 x 90.8 cm, Brushed steel  
anti-fingerprint  
KA93NVIFP**

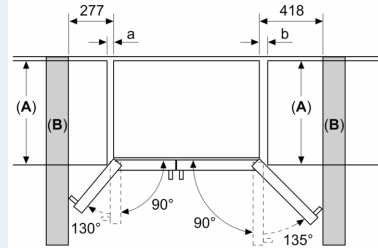
Measurements in mm



Measurements in mm



Measurements in mm



A	a	b
≤ 600	50	50
600 < A ≤ 650	50	50
650 < A ≤ 700	53	96
> 700	277	418

**A:** Kitchen cabinet or worktop depth

**B:** Wall  
Drawers can be pulled out with door open to 90°

Drawers can be taken out with door completely opened