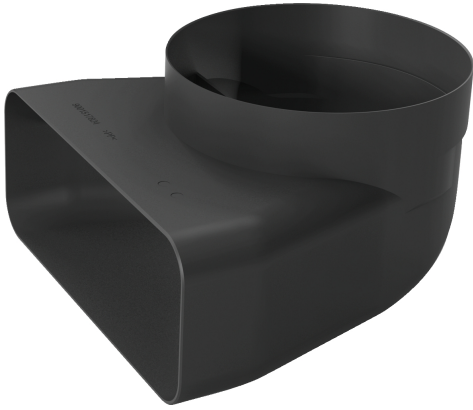


## Adapter duct, $\varnothing$ 150 mm, 90°, round-flat HZ9VDSI1



- ✓ Flat to round converter with integrated 90° bend for appliances with vertical round air outlet (e.g. Glassdraft)
- ✓ 90° round-flat adapter element (male)
- ✓ Aerodynamically optimised design to minimise pressure loss and maximise air flow rate. Easy-to-cut & easy-to-connect via the female connector sleeve element.
- ✓ The element complies with the Needle Flame Test (according to IEC 60695-11-5) & the V2 flammability class (according to UL94).

### Features

#### Technical Data

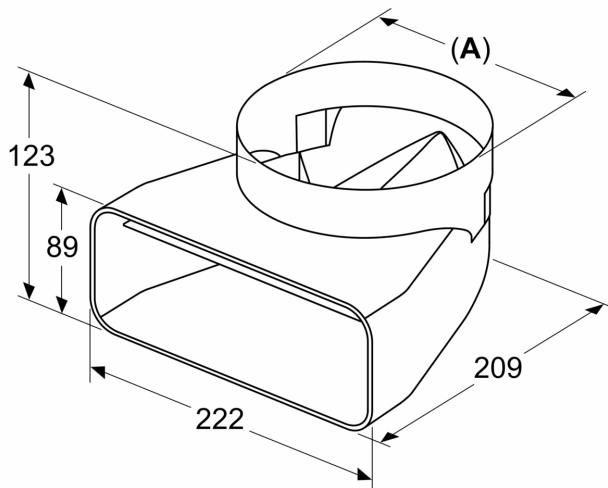
Dimensions of the packed product (HxWxD): ..... 160x210x230 mm  
Pallet dimensions: ..... 171.0 x 80.0 x 120.0  
Quantity per packing unit: ..... 8  
Standard number of units per pallet: ..... 128  
Weight: ..... 0.2 kg  
Gross weight: ..... 0.5 kg  
EAN code: ..... 4242003890905



**Adapter duct,  $\varnothing$  150 mm, 90 °,  
round-flat  
HZ9VDSI1**

Dimensioned drawings

measurements in mm



**A:  $\varnothing$  152.5**