

Flat duct, 90 °, vertical S HZ9VDSB4



- ✓ Vertical 90° bow with very small radius for ductings within the furniture (from on 60cm worktop depth)
- ✓ 90° flat duct bend element (male) in vertical configuration with small radius
- ✓ Aerodynamically optimised design to minimise pressure loss and maximise air flow rate. Easy-to-cut & easy-to-connect via the female connector sleeve element.
- ✓ The element complies with the Needle Flame Test (according to IEC 60695-11-5) & the V2 flammability class (according to UL94).

Features

Technical Data

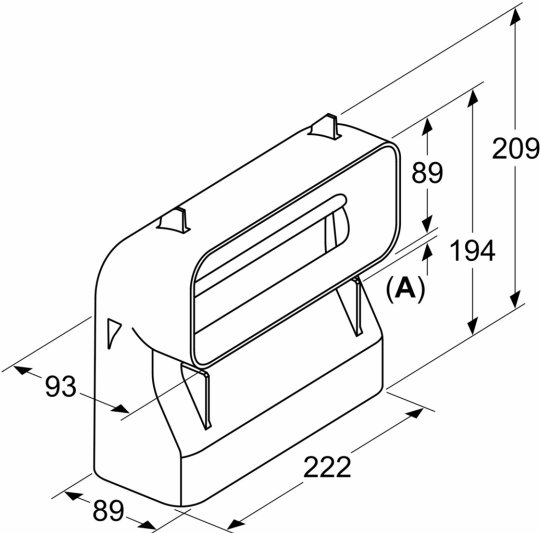
Dimensions of the packed product (HxWxD):115x230x220 mm
Pallet dimensions: 210.0 x 80.0 x 120.0
Standard number of units per pallet: 180
Weight: 0.3 kg
Gross weight: 0.5 kg
EAN code:4242003900253



Flat duct, 90°, vertical S
HZ9VDSB4

Dimensioned drawings

measurements in mm



A: 13.5