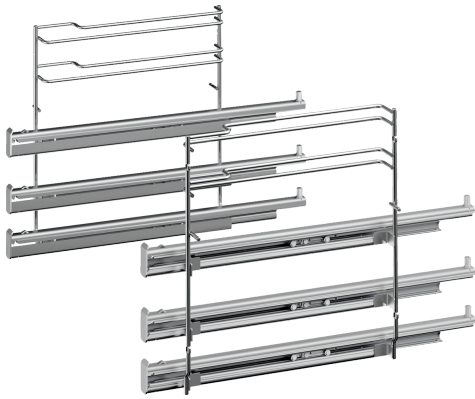


**3-Level full extension telescopic
rails
HZ638370**



Features

Technical Data

Dimensions of the packed product (HxWxD): 90 x 310 x 420 mm
Pallet dimensions: 100.0 x 80.0 x 120.0
Standard number of units per pallet: 48
Weight: 3.2 kg
Gross weight: 3.5 kg
EAN code: 4242003673584

