

iQ700, Built-in oven with steam function, 60 x 60 cm, Stainless steel HS658GXS1



A+



- ✓ Far less oven cleaning – ecoClean Plus.
- ✓ The full steam function: making it simple to cook healthy and delicious meals
- ✓ TFT touchdisplay Plus – Touch navigation for simple and intuitive operation.
- ✓ roastingSensor Plus – Three-point thermometer for excellent roasts every time.
- ✓ cookControl Plus – Build success into your baking.

Features

Technical Data

Built-in / Free-standing:	Built-in
Door opening:	Drop down
Min. required niche size for installation (HxWxD):	585-595 x 560-568 x 550 mm
Dimensions:	595 x 594 x 548 mm
Dimensions of the packed product (HxWxD): ...	675 x 660 x 690 mm
Control Panel Material:	Stainless steel
Door Material:	Glass
Weight:	46.3 kg
Length electrical supply cord:	120.0 cm
EAN code:	4242003658321
Fuse protection:	16 A
Nominal power:	220-240 V
Frequency:	60; 50 Hz
Plug type:	Gardy plug w/ earthing
Number of cavities (2010/30/EC):	1
Usable volume (of cavity) - NEW (2010/30/EC):	71 l
Energy efficiency rating:	A+
Energy consumption per cycle conventional (2010/30/EC):	0.87 kWh/cycle
Energy consumption per cycle forced air convection (2010/30/EC):	0.69 kWh/cycle
Energy efficiency index (2010/30/EC):	81.2 %
Included accessories: 1 x enamel baking tray, 1 x grid, 1 x universal pan, 1 x steam container, punched, size S, 1 x steam container, punched, size XL, 1 x steam container, unpunched, size S	



Included accessories

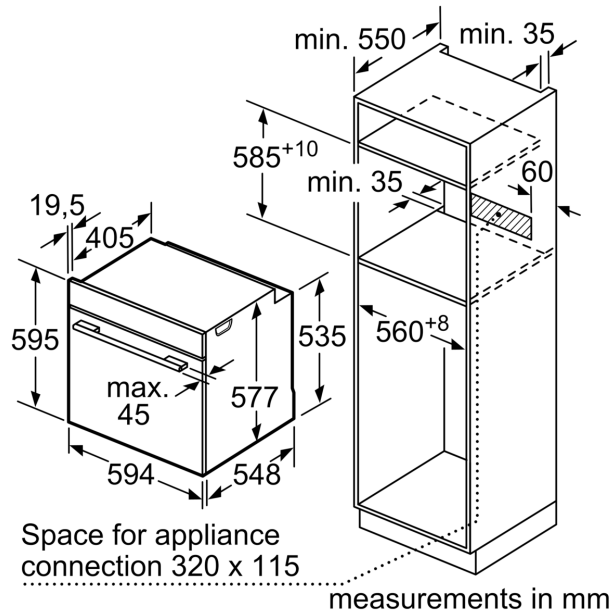
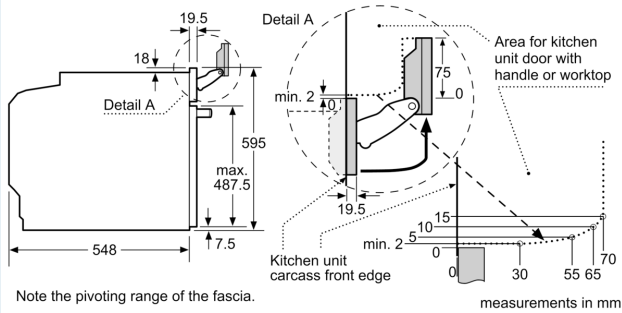
1 x enamel baking tray, 1 x grid, 1 x universal pan, punched, size XL, 1 x steam container, unpunched, size S

Optional accessories

HZ531010 Baking tray, non-stick ceramic coated, HZ532010 Universal pan, non-stick ceramic coated, HZ36D613 Steam container, unpunched, size S, HZ36D613G Steam container, punched, size S, HZ617000 Pizza pan, enamelled, HZ625071 Grill tray, enamelled, HZ631070 Baking tray, enamelled, HZ632070 Multipurpose pan, enamelled, HZ633001 Lid for professional pan, enamelled, HZ633070 Professional pan, enamelled, HZ636000 Glass pan, HZ664000 Baking and roasting grid (steam), HZ66X650 Cover Strip, HZ915003 Glass roasting dish, 5,4 L, HZG0AS00 Connecting cable 3m

iQ700, Built-in oven with steam function, 60 x 60 cm, Stainless steel HS658GXS1

Dimensioned drawings



If the appliance will be installed underneath a hob, the following worktop thicknesses (including substructure if necessary) must be taken into account.

Hob type	min. worktop thickness	
	fitted	flush
Induction hob	37 mm	38 mm
Full surface Induction hob	47 mm	48 mm
Gas hob	30 mm	38 mm
Electric hob	27 mm	30 mm

