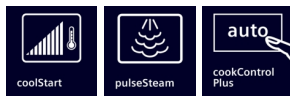


iQ700, Built-in oven with added steam function, 60 x 60 cm, Stainless steel HR676GBS6B



Shorten your cooking time thanks to fast preheat, coolStart and activeClean. And remote control your oven from anywhere with Home Connect.

- ✓ fastPreheat – Heat the oven quickly. coolStart – Eliminate preheating for frozen foods.
- ✓ activeClean® – The automatic, self-cleaning oven system.
- ✓ pulseSteam: for crispy crusts and juicy roasts.
- ✓ Home Connect – Experience the intelligent kitchen via app.
- ✓ cookControl Plus – Build success into your baking.

Features

Technical Data

Color / Material Front : Stainless steel
 Construction type : Built-in
 Integrated Cleaning system : Pyrolytic+Hydrolytic
 Min. required niche size for installation (HxWxD) : 585-595 x 560-568 x 550 mm
 Dimensions : 595 x 594 x 548 mm
 Dimensions of the packed product (HxWxD) : 675 x 690 x 660 mm
 Control Panel Material : Stainless steel
 Door Material : Glass
 Net weight : 41.4 kg
 Usable volume of cavity : 71 l
 Cooking method : , 4D Hotair, Bottom heat, Conventional heat, Deep-frozen food special, Full width grill, Half width grill, Hot Air-Eco, Hot air grilling, low temperature cooking, Pizza setting, pre-heating, warming
 Oven control : electronic
 Number of interior lights : 1
 Length of electrical supply cord : 120 cm
 EAN code : 4242003794876
 Number of cavities (2010/30/EC) : 1
 Energy efficiency rating : A+
 Energy consumption per cycle conventional (2010/30/EC) : 0.87 kWh/cycle
 Energy consumption per cycle forced air convection (2010/30/EC) : 0.69 kWh/cycle
 Energy efficiency index (2010/30/EC) : 81.2 %
 Connection rating : 3600 W
 Fuse protection : 16 A
 Voltage : 220-240 V
 Frequency : 60; 50 Hz
 Plug type : no plug (electrical connection by electrician)
 Included accessories : 2 x combination grid, 1 x universal pan

Included accessories

- 2 x combination grid
- 1 x universal pan

Optional accessories

- | | |
|----------|---|
| HZ915003 | Glass roasting dish, 5,4 L |
| HZ638370 | 3 level telescopic rails, full ext,pyro |
| HZ638170 | 1 level telescopic rail, full ext, pyro |
| HZ636000 | Glass pan |
| HZ634000 | Baking and roasting grid (standard) |
| HZ631070 | Baking tray, anthracite enamelled |
| HZ531010 | Baking tray, non-stick ceramic coated |



iQ700, Built-in oven with added steam function, 60 x 60 cm, Stainless steel HR676GBS6B

Features

Design

- 3.7" TFT touchDisplay
- Cavity inner surface: enamel anthracite
- Drop down oven door, softClose, softOpen
-
- Stainless steel control dial
- We recommend you to choose complementary products within iQ700, in order to assure an optimal design combination of your Built-In appliances.

Features

- Digital temperature display with proposal
- Actual temperature display Heating-up indicator
- Electronic door lock
- Control panel lock Automatic safety switch off Residual heat indicator Start button Door contact switch
- WLAN - Home connect enabled
- cookControl Plus
- Electronic oven clock timer
- LED light, Light on/off when door opened/closed
- Tank empty indicator
- Integral cooling fan
- 5 shelf positions in oven

Cleaning

- activeClean
- Full glass inner door

Programmes/functions

- Additional heating methods with steam: reheating with steam, Dough proving
- Additional functions:
- Descaling programme
- Drying function
- Fast preheat

Accessories

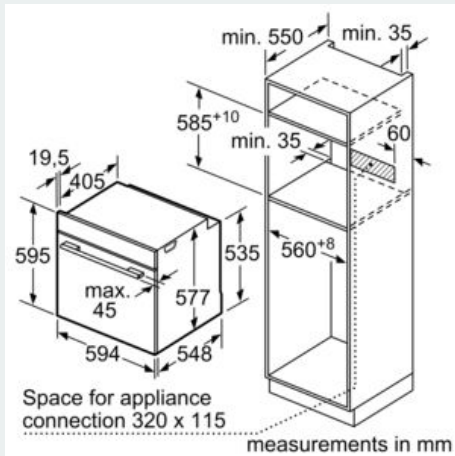
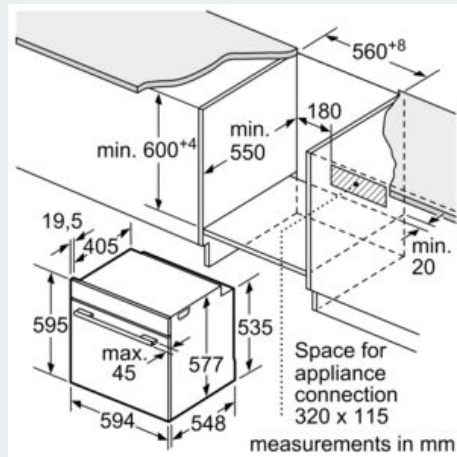
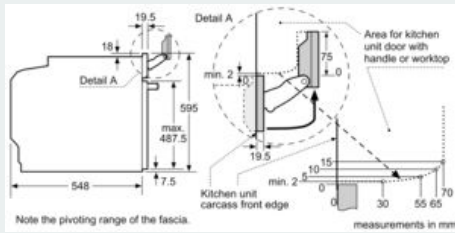
- 2 x combination grid, 1 x universal pan
- Cavity with shelf support rails, pyrolytic proof

Technical information

- Energy efficiency rating (acc. EU Nr. 65/2014): A+
- Energy consumption per cycle in conventional mode: 0.87 kWh
- Energy consumption per cycle in fan-forced convection mode: 0.69 kWh
- Number of cavities: Main cavity Heat source: electrical Cavity volume: 71 litres
- 1 l Water tank capacity:
- Temperature range 30 °C - 275 °C
- Location of water tank: Outside cavity
- Total connected load electric: 3.6 KW
- 120 cm Cable length
- Nominal voltage: 220 - 240 V
- Appliance dimension (h x w x d): 595 mm x 594 mm x 548 mm
- Niche dimension (h x w x d): 585 mm - 595 mm x 560 mm - 568 mm x 550 mm
- Please refer to the dimensions provided in the installation manual

iQ700, Built-in oven with added steam function, 60 x 60 cm, Stainless steel HR676GBS6B

Dimensioned drawings



If the appliance will be installed underneath a hob, the following worktop thicknesses (including substructure if necessary) must be taken into account.

| Hob type | min. worktop thickness | |
|----------------------------|------------------------|-------|
| | fitted | flush |
| Induction hob | 37 mm | 38 mm |
| Full surface Induction hob | 47 mm | 48 mm |
| Gas hob | 30 mm | 38 mm |
| Electric hob | 27 mm | 30 mm |