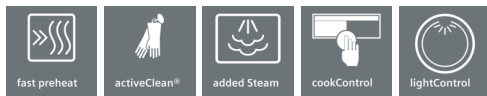


## iQ500, Built-in oven with added steam function, 60 x 60 cm, Stainless steel HR578G5S6B



Shorten your cooking time thanks to fast preheat, coolStart and activeClean. And remote control your oven from anywhere with Home Connect.

- ✓ fast preheat: reach the required baking temperature sooner; coolStart: no need to preheat the oven for deep frozen food.
- ✓ activeClean: the automatic system for effortless cleaning.
- ✓ The addedSteam function: for crispy crusts and juicy roasts.
- ✓ cookControl30: automatic programs ensure best results.
- ✓ lightControl: intuitive operation thanks to the illuminated dial.

### Features

#### Technical Data

Color / Material Front : Stainless steel  
 Construction type : Built-in  
 Integrated Cleaning system : Pyrolytic  
 Required niche size for installation (HxWxD) : 585-595 x 560-568 x 550  
 Dimensions : 595 x 594 x 548  
 Dimensions of the packed product (HxWxD) (mm) : 660 x 690 x 660  
 Control Panel Material : Glass  
 Door Material : Glass  
 Net weight (kg) : 39.828  
 Usable volume of cavity (l) : 71  
 Cooking method : Conventional heat, Full width grill, Hot Air, Hotair gentle, Hot air grilling, Pizza setting  
 First cavity material : Other  
 Oven control : electronic  
 Number of interior lights : 1  
 Approval certificates : CE, VDE  
 Length of electrical supply cord (cm) : 120  
 EAN code : 4242003856178  
 Number of cavities (2010/30/EC) : 1  
 Energy efficiency rating : A  
 Energy consumption per cycle conventional (2010/30/EC) : 0.99  
 Energy consumption per cycle forced air convection (2010/30/EC) : 0.81  
 Energy efficiency index (2010/30/EC) : 95.3  
 Connection rating (W) : 3600  
 Current (A) : 16  
 Voltage (V) : 220-240  
 Frequency (Hz) : 50; 60  
 Plug type : no plug

### Included accessories

- 2 x combination grid
- 1 x universal pan

### Optional accessories

- |          |                                       |
|----------|---------------------------------------|
| HZ915003 | Glass roasting dish, 5,4 L            |
| HZ66X650 | Cover Strip                           |
| HZ638300 | 3 level telescopic rails, full ext    |
| HZ634000 | Baking and roasting grid (standard)   |
| HZ538000 | varioClip rail                        |
| HZ531010 | Baking tray, non-stick ceramic coated |
| HZ531000 | Baking tray, grey enamelled           |
| HZ327000 | Baking stone                          |



## iQ500, Built-in oven with added steam function, 60 x 60 cm, Stainless steel HR578G5S6B

### Features

#### Design

- LCD Display (White)
- lightControl: intuitive operation thanks to the illuminated dials
- Cavity inner surface: enamel grey
- Drop down oven door, softClose, softOpen
- 
- Stainless steel control dial, lightControl: intuitive operation thanks to the illuminated dials, round
- Bar handle
- We recommend you to choose complementary products within iQ500, in order to assure an optimal design combination of your Built-In appliances.

#### Features

- Digital temperature display with proposal
- Heating-up indicator
- cookControl
- Automatic start
- Temperature probe
- 
- Electronic door lock
- Control panel lock
- Automatic safety switch off
- Residual heat indicator
- Door contact switch
- 
- WLAN - Home connect enabled
- Automatic programmes
- cookControl, 30
- roastingSensor
- 
- Electronic oven clock timer
- Integral cooling fan
- Interior halogen light, Light on/off when door opened/closed
- 5 shelf positions in oven

#### Cleaning

- activeClean
- Full glass inner door

#### Programmes/functions

- Oven with 8 heating methods: 3D hot air, conventional top & bottom heating, hot air grilling, full width grill, Pizza setting, coolStart, Hotair gentle, reheating with steam
- Heating modes in combination with steam function: Hot air, Hot air grilling, Top/bottom heat
- Additional functions:
- Descaling programme
- 
- Fast preheat

#### Accessories

- 2 x combination grid, 1 x universal pan
- 1 varioClip rail, Stop function

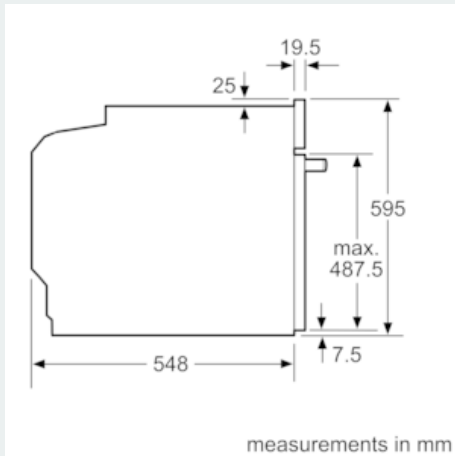
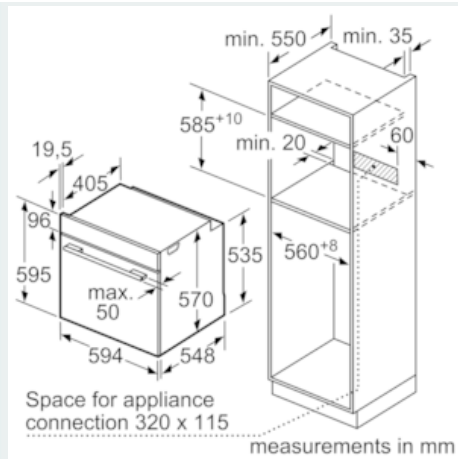
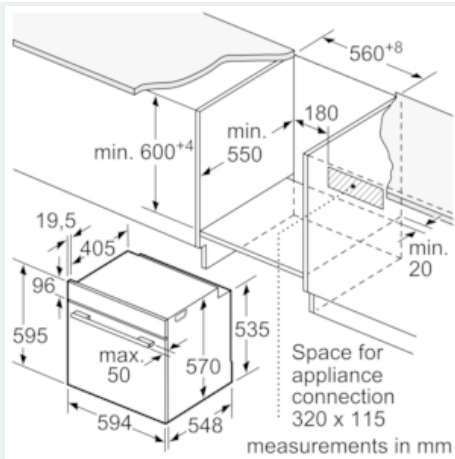
#### Technical information

- Energy efficiency rating (acc. EU Nr. 65/2014): A
- Energy consumption per cycle in conventional mode: 0.99 kWh

- Energy consumption per cycle in fan-forced convection mode: 0.81 kWh
- Number of cavities: Main cavity
- Heat source: electrical
- Cavity volume: 71 litres
- Water tank capacity: with a volume of 220ml
- Temperature range 30 °C - 275 °C
- Location of water tank: Outside cavity
- Total connected load electric: 3.6 KW
- 120 cm Cable length
- Nominal voltage: 220 - 240 V
- Appliance dimension (hxwxd): 595 mm x 594 mm x 548 mm
- Niche dimension (hxwxd): 585 mm - 595 mm x 560 mm - 568 mm x 550 mm
- Please refer to the dimensions provided in the installation manual

**iQ500, Built-in oven with added steam function, 60 x 60 cm, Stainless steel HR578G5S6B**

Dimensioned drawings



Installation with a hob.

