

**Series 4, Built-in oven with added steam function, 60 x 60 cm, Stainless steel**

**HQA534BS3B**



**A+**



2 x combination grid, 1 x universal pan

HEZ327000 Pizza stone, HEZ32WA00 Wireless food thermometer, HEZ530000 Half tray, HEZ531010 Baking tray, non-stick ceramic coated, HEZ532010 Universal pan, non-stick ceramic coated, HEZ538000 1fold telescopic rail, level independent, HEZ617000 Pizza pan, enamelled, HEZ629070 Air Fry & Grill tray, HEZ631070 Baking tray, enamelled, HEZ632070 Multipurpose pan, enamelled, HEZ633001 Lid for professional pan, enamelled, HEZ633070 Professional pan with grid, enamelled, HEZ633073 Professional pan, enamelled, HEZ634000 Baking and roasting grid, HEZ636000 Glass pan, HEZ638000 Full ext rails, level independent, HEZ660060 Strip, HEZ915003 Glass roasting dish, 5,4 L

**Perfect results: Hotair Steam for delicious baking results.**

- **Energy Efficiency Class A+:** thanks to improvement of the oven construction you can save energy while cooking.
- **Added steam function:** by adding steam, baked food turn out crispy on the outside and fluffy on the inside.
- **Hotair Steam:** heat and humidity are distributed equally within the oven interior so food turns out crispy on the outside and juicy on the inside.
- **3D Hotair:** even heat distribution for perfect results on up to three levels.
- **EcoClean Direct:** less cleaning effort thanks to a special coating of the rear wall that automatically absorbs grime.

Built-in / Free-standing: ..... Built-in  
 Integrated Cleaning system: ..EcoClean Direct programme, Hydrolytic  
 Required niche size for installation (HxWxD): ....585-595 x 560-568 x 550 mm  
 Dimensions: ..... 595x594x548 mm  
 Dimensions of the packed product (HxWxD): ..... 675 x 660 x 690 mm  
 Control Panel Material: ..... Stainless steel  
 Door Material: ..... Glass  
 Net weight: .....33.7 kg  
 Usable volume of cavity: ..... 71 l  
 Cooking method: Full width grill, Hotair gentle, Hot Air, Conventional heat, Pizza setting, Bottom heat, Hot air grilling  
 Oven control: ..... mechanical  
 Number of interior lights: ..... 1  
 Length electrical supply cord: ..... 120.0 cm  
 EAN code: .....4242005465576  
 Number of cavities (2010/30/EC): ..... 1  
 Energy efficiency rating: .....A+  
 Energy consumption per cycle conventional (2010/30/EC): .....0.94 kWh/cycle  
 Energy consumption per cycle forced air convection (2010/30/EC):69 kWh/cycle  
 Energy efficiency index (2010/30/EC): .....81.2 %  
 Connection rating: ..... 2800 W  
 Fuse protection: .....13 A  
 Voltage: ..... 220-240 V  
 Frequency: ..... 50; 60 Hz  
 Plug type: ..... no plug (electrical connection by electrician)  
 Included accessories: .....2 x combination grid, 1 x universal pan



## **Series 4, Built-in oven with added steam function, 60 x 60 cm, Stainless steel HQA534BS3B**

- Niche dimension (hxwx): 585 mm - 595 mm x 560 mm - 568 mm x 550 mm
- Please refer to the dimensions provided in the installation manual

### **Perfect results: Hotair Steam for delicious baking results.**

---

#### **Features**

- Oven with 8 heating methods: 3D Hotair, conventional top and bottom heat, Hotair grilling, full width variable grill, pizza function, bottom heat, Hotair gentle, hot air and steam combined
- Temperature range 50 °C - 275 °C
- Cavity volume: 71 litre capacity

#### **Level independent telescopic rails**

- 5 shelf positions
- Available as an additional accessory

#### **Design**

- Rotary dial, Retractable control dials, round
- Cavity inner surface: enamel anthracite
- Extra large capacity oven

#### **Cleaning**

- EcoClean Direct : back panel
- Full glass inner door

#### **Programmes/functions**

- LED-Display Control (Red)
- Electronic clock timer
- Heating-up indicator
- Automatic start
- Straight bar handle
- Fast pre-heating function
- Interior halogen light
- Water bowl with a volume of 250 ml
- Integral cooling fan

#### **Accessories**

- 2 x combination grid, 1 x universal pan

#### **Features**

- Maximum window temperature 40° C
- Triple glazed door glazed CoolTouch door
- Control panel lock

#### **Technical information**

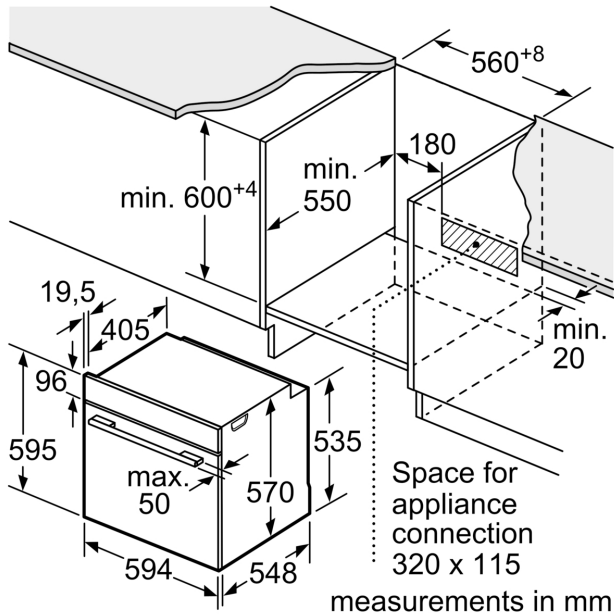
- 120 cm Cable length
- Nominal voltage: 220 - 240 V
- Total connected load electric: 2.8 KW
- Energy efficiency rating (acc. EU Nr. 65/2014): A+
- Energy consumption per cycle in conventional mode:0.94 kWh
- Energy consumption per cycle in fan-forced convection mode:0.69 kWh
- Number of cavities: Main cavity Heat source: electrical Cavity volume:71 litre capacity

#### **Performance/technical information**

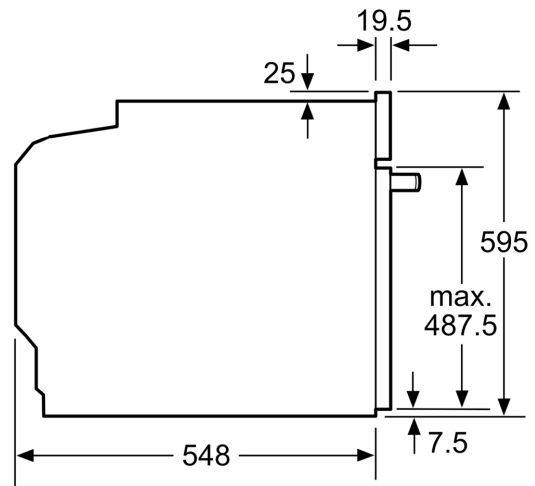
- Appliance dimension (hxwx): 595 mm x 594 mm x 548 mm

**Series 4, Built-in oven with added steam function, 60 x 60 cm, Stainless steel**

**HQA534BS3B**

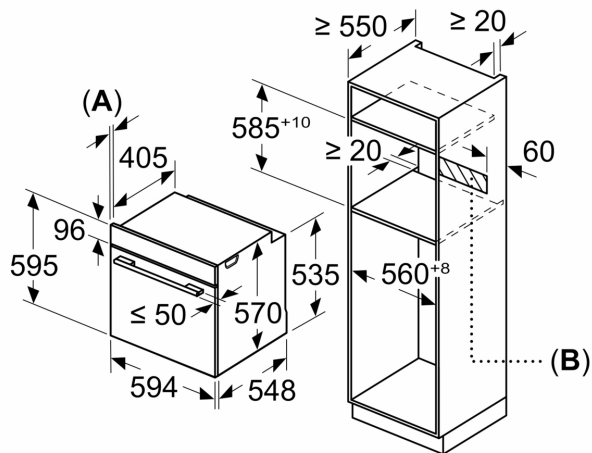


measurements in mm



measurements in mm

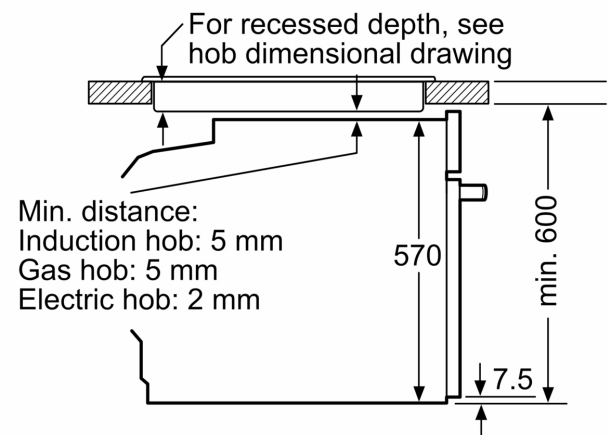
Measurements in mm



**A:** 19.5 mm

**B:** Space for appliance connection 320 x 115 mm

Installation with a hob.



Min. distance:  
Induction hob: 5 mm  
Gas hob: 5 mm  
Electric hob: 2 mm

measurements in mm