

**Series 2, Built-in oven, 60 x 60 cm,
Stainless steel
HHF133BS0B**



A



1 x insert grid, 1 x combination grid, 1 x universal pan

- HEZ317000 Pizza pan, enamelled
- HEZ327000 Pizza stone
- HEZ333001 Lid for professional pan
- HEZ431002 Baking tray, enamelled
- HEZ438201 2 level telescopic shelf rails
- HEZ438301 3 level telescopic shelf rails
- HEZ625071 Grill tray, anthracite
- HEZ915003 Glass roasting dish, 5,4 L

The built-in oven with 3D hot air: achieve perfect baking and roasting results on up to three levels simultaneously.

- **Red LED display control:** easy-to-use thanks to the time functions.
- **Pop-out controls:** Make the front of the oven easy to clean and give it a sleek look.
- **EcoClean Direct:** less cleaning effort thanks to a special coating of the rear wall that automatically absorbs grime.

Built-in / Free-standing: Built-in
 Integrated Cleaning system: EcoClean Direct programme
 Min. required niche size for installation (HxWxD): 575-597 x 560-568 x 550 mm
 Dimensions: 595x594x548 mm
 Dimensions of the packed product (HxWxD): 680 x 680 x 655 mm
 Control Panel Material: Stainless steel
 Door Material: Glass
 Net weight: 31.1 kg
 Usable volume of cavity: 66 l
 Oven control: mechanical
 Number of interior lights: 1
 Length electrical supply cord: 110.0 cm
 EAN code: 4242005048359
 Number of cavities (2010/30/EC): 1
 Energy efficiency rating: A
 Energy consumption per cycle forced air convection (2010/30/EQ): 79 kWh/cycle
 Energy efficiency index (2010/30/EC): 95.2 %
 Connection rating: 2400 W
 Fuse protection: 13 A
 Voltage: 220-240 V
 Frequency: 60; 50 Hz
 Plug type: GB plug
 Included accessories: 1 x insert grid, 1 x combination grid, 1 x universal pan



**Series 2, Built-in oven, 60 x 60 cm,
Stainless steel
HHF133BS0B**

**The built-in oven with 3D hot air: achieve
perfect baking and roasting results on up
to three levels simultaneously.**

Design

- LED-Display Control (Red)

Features

- Control panel lock
- Electronic clock timer
- Interior halogen light

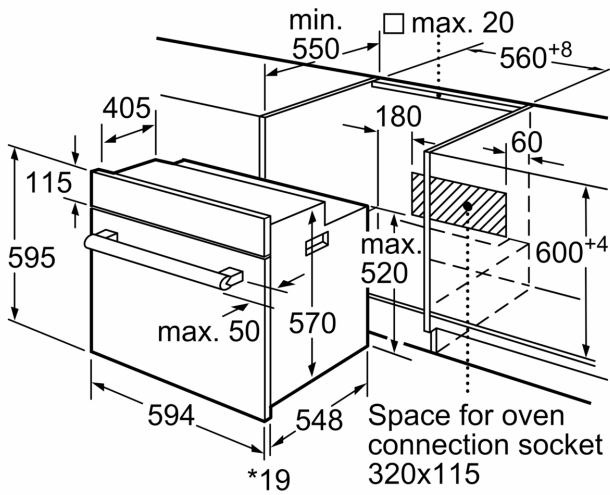
Cleaning

- EcoClean Direct : back panel

Programmes/functions

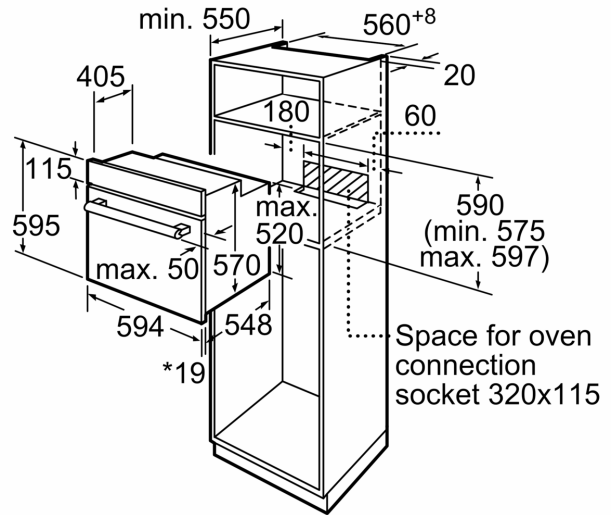
- Oven with 4 cooking functions: heating methods: 3D Hotair, Hotair grilling, Hotair gentle, full width variable grill
- 1 x universal pan, 1 x combination grid, 1 x insert grid
- Integral cooling fan
- 110 cm Cable length
- Total connected load electric: 2.4 KW
- Nominal voltage: 220 - 240 V
- Appliance dimension (hxwxd): 595 mm x 594 mm x 548 mm
- Niche dimension (hxwxd): 575 mm - 597 mm x 560 mm - 568 mm x 550 mm
- Please refer to the dimensions provided in the installation manual

**Series 2, Built-in oven, 60 x 60 cm,
Stainless steel
HHF133BS0B**



* 20 mm for metal fascias

measurements in mm



* 20 mm for metal fascias

measurements in mm



* 20 mm for metal fascias

Dimensions in mm