

**Series 2, Built-in oven, 60 x 60 cm,  
Stainless steel  
HHF113BR0B**



**The built-in oven with 3D hot air: achieve perfect baking and roasting results on up to three levels simultaneously.**

- **Red LED display control:** easy-to-use thanks to the time functions.

1 x insert grid, 1 x combination grid, 1 x universal pan

HEZ317000	Pizza pan, enamelled
HEZ327000	Pizza stone
HEZ333001	Lid for professional pan
HEZ431002	Baking tray, enamelled
HEZ438201	2 level telescopic shelf rails
HEZ438301	3 level telescopic shelf rails
HEZ625071	Grill tray, anthracite
HEZ915003	Glass roasting dish, 5,4 L

Built-in / Free-standing: .....	Built-in
Integrated Cleaning system: .....	No
Min. required niche size for installation (HxWxD): 575-597 x 560-568 x 550 mm	
Dimensions: .....	595x594x548 mm
Dimensions of the packed product (HxWxD): .....	680 x 680 x 655 mm
Control Panel Material: .....	Stainless steel
Door Material: .....	Glass
Net weight: .....	31.3 kg
Usable volume of cavity: .....	66 l
Oven control: .....	mechanical
Number of interior lights: .....	1
Length electrical supply cord: .....	110.0 cm
EAN code: .....	4242005048335
Number of cavities (2010/30/EC): .....	1
Energy efficiency rating: .....	A
Energy consumption per cycle forced air convection (2010/30/EC): 79 kWh/cycle	
Energy efficiency index (2010/30/EC): .....	95.2 %
Connection rating: .....	2400 W
Fuse protection: .....	13 A
Voltage: .....	220-240 V
Frequency: .....	60; 50 Hz
Plug type: .....	GB plug
Included accessories: .....	1 x insert grid, 1 x combination grid, 1 x universal pan



## **Series 2, Built-in oven, 60 x 60 cm, Stainless steel HHF113BR0B**

**The built-in oven with 3D hot air: achieve perfect baking and roasting results on up to three levels simultaneously.**

---

### **Design**

- LED-Display Control (Red)
- Rotary dial, round
- Straight bar handle

### **Features**

- Control panel lock
- Automatic start
- Electronic clock timer
- Interior halogen light
- Integral cooling fan
- 5 shelf positions

### **Cleaning**

- Full glass inner door

### **Programmes/functions**

- Oven with 4 cooking functions: heating methods: 3D Hotair, Hotair grilling, Hotair gentle, full width variable grill

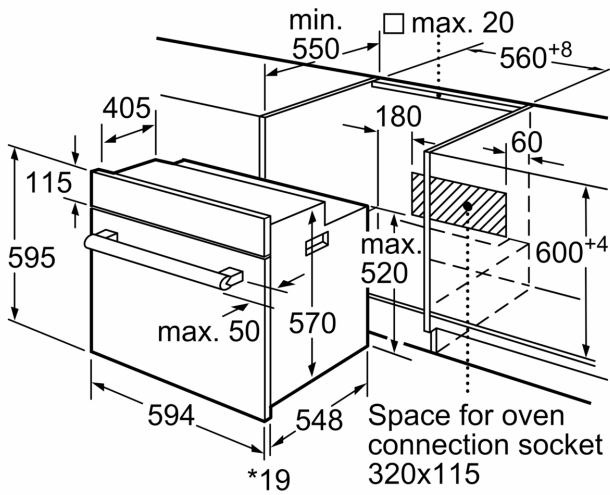
### **Accessories**

- 1 x universal pan, 1 x combination grid, 1 x insert grid

### **Performance/technical information**

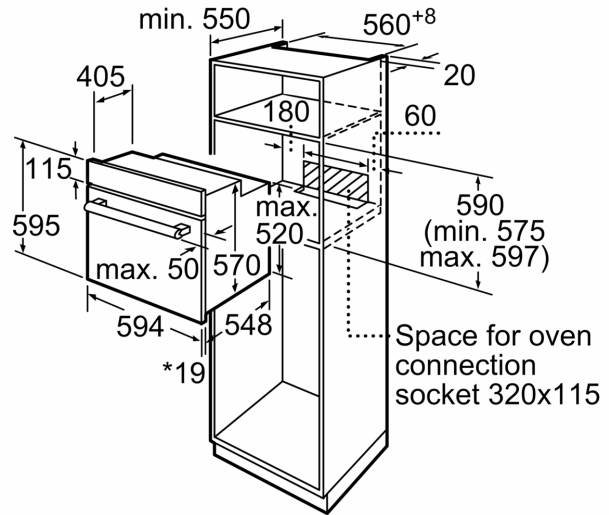
- Cavity volume: 66 litre
- Temperature range 50 °C - 275 °C
- 110 cm Cable length
- Total connected load electric: 2.4 KW
- Nominal voltage: 220 - 240 V
- Appliance dimension (hxwxh): 595 mm x 594 mm x 548 mm
- Niche dimension (hxwxh): 575 mm - 597 mm x 560 mm - 568 mm x 550 mm
- Please refer to the dimensions provided in the installation manual

**Series 2, Built-in oven, 60 x 60 cm,  
Stainless steel  
HHF113BR0B**



\* 20 mm for metal fascias

measurements in mm



\* 20 mm for metal fascias

measurements in mm



\* 20 mm for metal fascias

Dimensions in mm