

**iQ500, Built-in microwave oven, 60 x 38 cm, Black
HF15M664B**



38cm high built-in, frameless microwave for fast defrosting, reheating or preparation of dishes.

- ✓ Automatic programs ensure excellent results - cookControl7.
- ✓ The side-opening hinged door: ideal for elevated installation.

Features

Technical Data

Type of micro-wave oven : MW only
 Type of control : Electronic
 Color / Material Front : Black
 Dimensions : 382 x 594 x 317 mm
 Cavity dimensions : 201.0 x 308.0 x 282.0 mm
 Length of electrical supply cord : 130 cm
 Net weight : 16.4 kg
 Gross weight : 18.1 kg
 EAN code : 4242003658482
 Maximum micro-wave power : 800 W
 Connection rating : 1270 W
 Fuse protection : 10 A
 Voltage : 230-240 V
 Frequency : 50 Hz
 Plug type : GB plug
 Cavity dimensions : 201.0 x 308.0 x 282.0 mm



**iQ500, Built-in microwave oven, 60 x
38 cm, Black
HF15M664B**

Features

Features:

- Left hinged door
- User-friendly electronics with push-buttons and pop-out control.
- Comfort:
 - 4 weight automatic defrost programmes
 - 1 recipe memory setting
 - Electronic oven clock timer

Features

- Maximum microwave power level: 800 W
- 5 microwave power levels:
- Maximum microwave power level: 800 W

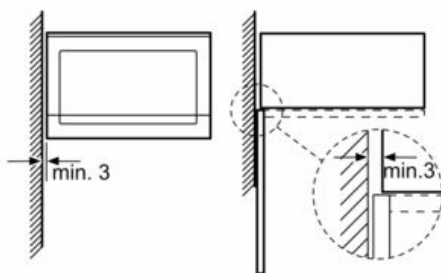
Performance/technical information

- Installation in 60 cm wide wall unit, Installation in tall housing
- Oven capacity: 20 litres
- 25.5 cm Glass turntable
- Connected load 1.27 KW
- 130 cm power cable: UK 3 pin plug

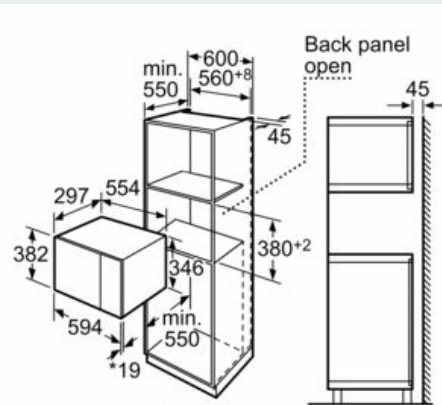
iQ500, Built-in microwave oven, 60 x 38 cm, Black
HF15M664B

Dimensioned drawings

Microwave, corner installation

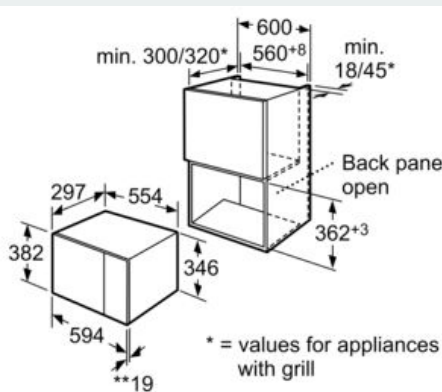


Measurements in mm



* 20 mm for metal fascias

measurements in mm



* = values for appliances with grill

** 20 mm for metal fascias

measurements in mm