

**Series 4, Built-in oven, 60 x 60 cm,  
Black  
HBS534BB0B**



2 x combination grid, 1 x universal pan, 2 x Universal pan, slim size

HEZ327000 Pizza stone, HEZ32WA00 Wireless food thermometer, HEZ530000 Half tray, HEZ531010 Baking tray, non-stick ceramic coated, HEZ532010 Universal pan, non-stick ceramic coated, HEZ538000 1fold telescopic rail, level independent, HEZ617000 Pizza pan, enamelled, HEZ629070 Air Fry & Grill tray, HEZ631070 Baking tray, enamelled, HEZ632070 Multipurpose pan, enamelled, HEZ633001 Lid for professional pan, enamelled, HEZ633070 Professional pan with grid, enamelled, HEZ634000 Baking and roasting grid, HEZ636000 Glass pan, HEZ638000 Full ext rails, level independent, HEZ660050 Cover Strip, HEZ664000 Baking and roasting grid, steam, HEZ915003 Glass roasting dish, 5,4 L

**The built-in oven with 3D hot air: achieve perfect baking and roasting results on up to three levels simultaneously.**

- **Red LED display control:** easy-to-use thanks to the time functions.
- **Pop-out controls:** Make the front of the oven easy to clean and give it a sleek look.
- **EcoClean Direct:** less cleaning effort thanks to a special coating of the rear wall that automatically absorbs grime.
- **Cleaning Assistance:** less cleaning effort thanks to the new cleaning option, which can be especially used for light cleaning.
- **2 universal pans, slim size:** optimized for smaller amounts of different dishes.

Built-in / Free-standing: ..... Built-in  
 Integrated Cleaning system: ..EcoClean Direct programme, Hydrolytic  
 Min. required niche size for installation (HxWxD): 585-595 x 560-568 x 550 mm  
 Dimensions: ..... 595x594x548 mm  
 Dimensions of the packed product (HxWxD): ..... 675 x 660 x 690 mm  
 Control Panel Material: ..... Glass  
 Door Material: ..... Glass  
 Net weight: ..... 33.4 kg  
 Usable volume of cavity: ..... 71 l  
 Oven control: ..... mechanical  
 Number of interior lights: ..... 1  
 Length electrical supply cord: ..... 120.0 cm  
 EAN code: ..... 4242005057368  
 Number of cavities (2010/30/EC): ..... 1  
 Energy efficiency rating: ..... A  
 Energy consumption per cycle conventional (2010/30/EC): ..... 0.97 kWh/cycle  
 Energy consumption per cycle forced air convection (2010/30/EC): 81 kWh/cycle  
 Energy efficiency index (2010/30/EC): ..... 95.3 %  
 Connection rating: ..... 2990 W  
 Fuse protection: ..... 13 A  
 Voltage: ..... 220-240 V  
 Frequency: ..... 60; 50 Hz  
 Plug type: ..... no plug (electrical connection by electrician)  
 Included accessories: ..... 2 x combination grid, 1 x universal pan, 2 x Universal pan, slim size



## **Series 4, Built-in oven, 60 x 60 cm, Black HBS534BB0B**

**The built-in oven with 3D hot air: achieve perfect baking and roasting results on up to three levels simultaneously.**

---

### **Design**

- LED-Display Control (Red)
- Interior halogen light
- Rotary dial, Retractable control dials, round
- Straight bar handle

### **Features**

- Control panel lock
- Electronic clock timer
- 5 shelf positions
- Heating-up indicator
- Automatic start
- Integral cooling fan

### **Cleaning**

- EcoClean Direct : back panel

### **Programmes/functions**

- Oven with 7 PC heating methods: 3D Hotair, conventional top and bottom heat, Hotair grilling, full width variable grill, pizza function, bottom heat, Hotair gentle
- Fast pre-heating function

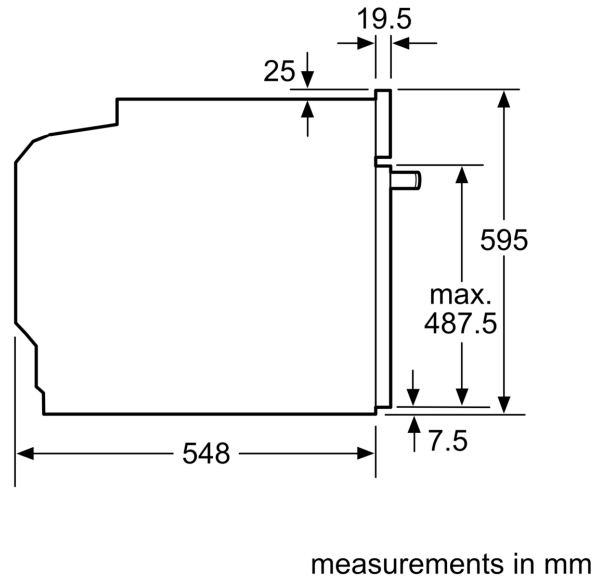
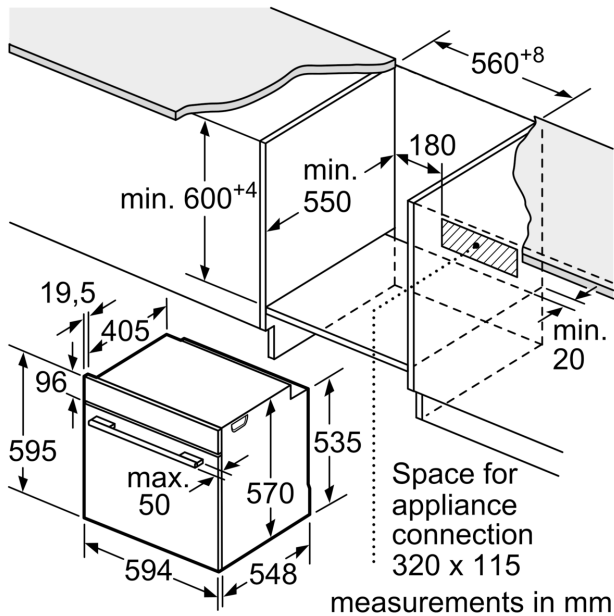
### **Accessories**

- 1 x universal pan, 2 x combination grid, 2 x Universal pan, slim size

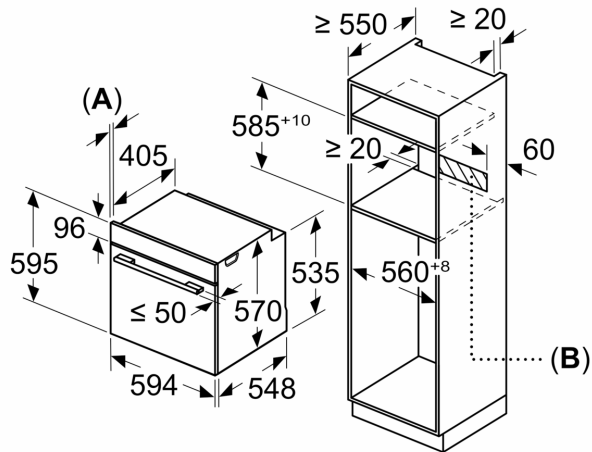
### **Performance/technical information**

- Energy efficiency rating (acc. EU Nr. 65/2014): A
- Energy consumption per cycle in conventional mode:0.97 kWh
- Energy consumption per cycle in fan-forced convection mode:0.81 kWh
- Number of cavities: Main cavity Heat source: electrical Cavity volume:71 litre capacity
- Temperature range 50 °C - 275 °C
- 120 cm Cable length
- Total connected load electric: 2.99 KW
- Nominal voltage: 220 - 240 V
- Appliance dimension (hxwxh): 595 mm x 594 mm x 548 mm
- Niche dimension (hxwxh): 585 mm - 595 mm x 560 mm - 568 mm x 550 mm
- Please refer to the dimensions provided in the installation manual

**Series 4, Built-in oven, 60 x 60 cm,  
Black  
HBS534BB0B**



Measurements in mm



- A:** 19.5 mm
- B:** Space for appliance connection 320 x 115 mm

Installation with a hob.

