

## iQ700, Built-in oven, 60 x 60 cm, Stainless steel HB676GBS1



A+



- ✓ fastPreheat – Heat the oven quickly. coolStart – Eliminate preheating for frozen foods.
- ✓ activeClean® – The automatic, self-cleaning oven system.
- ✓ cookControl Plus – Build success into your baking.
- ✓ User-friendly menu navigation with good display features - TFT-Touchdisplay.
- ✓ 4D hotAir – Even heat distribution for excellent results on any level.

### Features

#### Technical Data

Built-in / Free-standing: ..... Built-in  
 Integrated Cleaning system: ..... Pyrolytic+Hydrolytic  
 Min. required niche size for installation (HxWxD): ..... 585-595 x 560-568 x 550 mm  
 Dimensions: ..... 595 x 594 x 548 mm  
 Dimensions of the packed product (HxWxD): ... 670 x 670 x 680 mm  
 Control Panel Material: ..... Stainless steel  
 Door Material: ..... Glass  
 Weight: ..... 38.2 kg  
 Usable volume of cavity: ..... 71 l  
 Heating Types: ....4D hot air, Full width grill, Hot Air-Eco, Half width grill, Conventional heat, Conventional heat ECO, Pizza setting, low temperature cooking, Deep-frozen food special, Bottom heat, Hot air grilling, pre-heating, warming  
 Oven control: .....electronic  
 Number of interior lights: ..... 1  
 Length electrical supply cord: ..... 120.0 cm  
 EAN code: .....4242003672440  
 Number of cavities (2010/30/EC): ..... 1  
 Energy efficiency rating: ..... A+  
 Energy consumption per cycle conventional (2010/30/EC): .....0.87 kWh/cycle  
 Energy consumption per cycle forced air convection (2010/30/EC): 0.69 kWh/cycle  
 Energy efficiency index (2010/30/EC): ..... 81.2 %  
 Connection Rating: ..... 3600 W  
 Fuse protection: ..... 16 A  
 Nominal power: ..... 220-240 V  
 Frequency: ..... 60; 50 Hz  
 Plug type: ..... Gardy plug w/ earthing  
 Included accessories: ..... 1 x enamel baking tray, 1 x combination grid, 1 x universal pan



#### Included accessories

1 x enamel baking tray, 1 x combination grid, 1 x universal pan

#### Optional accessories

HZ327000 Baking stone, HZ531010 Baking tray, non-stick ceramic coated, HZ532010 Universal pan, non-stick ceramic coated, HZ617000 Pizza pan, enamelled, HZ625071 Grill tray, enamelled, HZ631070 Baking tray, enamelled, HZ632070 Multipurpose pan, enamelled, HZ633001 Lid for professional pan, enamelled, HZ633070 Professional pan, enamelled, HZ634000 Baking and roasting grid (standard), HZ636000 Glass pan, HZ638170 1 level telescopic rail, full ext, pyro, HZ638270 2 level telescopic rails, full ext,pyro, HZ638370 3 level telescopic rails, full ext,pyro, HZ664000 Baking and roasting grid (steam), HZ66X650 Cover Strip, HZ915003 Glass roasting dish, 5,4 L, HZG0AS00 Connecting cable 3m

## iQ700, Built-in oven, 60 x 60 cm, Stainless steel HB676GBS1

### Features

#### Features

- Oven with 13 main functions heating methods: 4D hot air, hotairGentle, conventional top & bottom heating, Conventional heat Gentle, hot air grilling, full width grill, half width grill, Pizza setting, coolStart, bottom heat, low temperature cooking, keep warm, plate warming
- Temperature range 30 °C - 275 °C
- Cavity volume: 71 litres

#### Design

- Cavity inner surface: enamel anthracite

#### Cleaning

- activeClean

#### Programmes/functions

- 3.7" TFT touchDisplay
- cookControl Plus
- Electronic oven clock timer
- Fast preheat
- Interior halogen light, Light on/off when door opened/closed
- Integral cooling fan

#### Level independent telescopic rails

#### Accessories

- 1 x universal pan, 1 x combination grid, 1 x enamel baking tray

#### Features

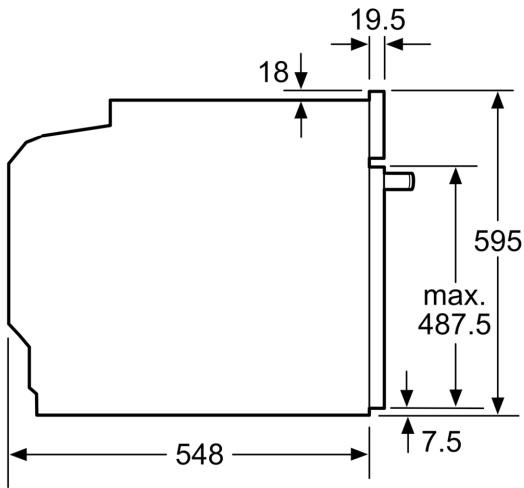
- Electronic door lock
- Control panel lock Automatic safety switch off Residual heat indicator Start button Door contact switch

#### Technical information

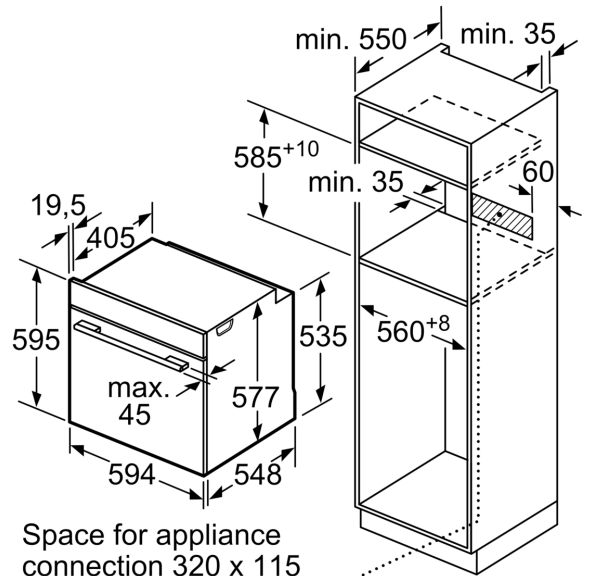
- 120 cm Cable length
- Total connected load electric: 3.6 KW
- Appliance dimension (hxwx): 595 mm x 594 mm x 548 mm
- Niche dimension (hxwx): 585 mm - 595 mm x 560 mm - 568 mm x 550 mm
- Please refer to the dimensions provided in the installation manual

**iQ700, Built-in oven, 60 x 60 cm,  
Stainless steel  
HB676GBS1**

Dimensioned drawings



measurements in mm

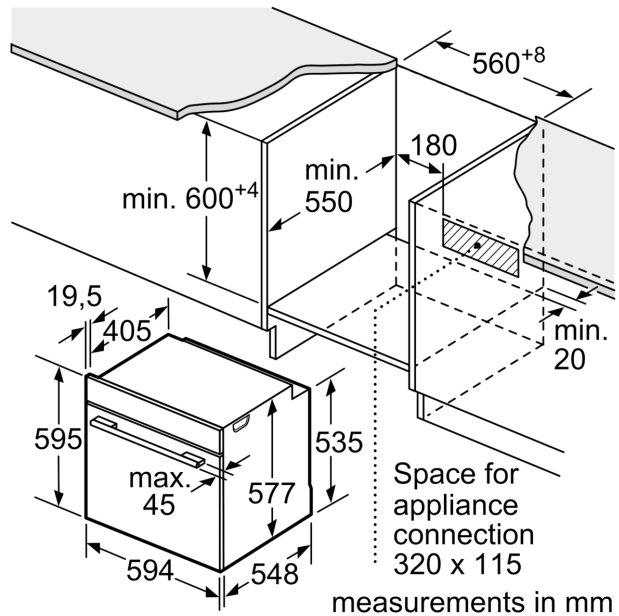


Space for appliance connection 320 x 115

measurements in mm

If the appliance will be installed underneath a hob, the following worktop thicknesses (including substructure if necessary) must be taken into account.

Hob type	min. worktop thickness	
	fitted	flush
Induction hob	37 mm	38 mm
Full surface Induction hob	47 mm	48 mm
Gas hob	30 mm	38 mm
Electric hob	27 mm	30 mm



Space for appliance connection 320 x 115

measurements in mm