

**iQ500, Built-in oven, 60 x 60 cm,  
Stainless steel  
HB578GBS7B**



Intelligence in your kitchen: Oven Assistant with Voice Control, activeClean for effortless oven cleaning for excellent results.

- ✓ Home Connect with Remote Control: Unlock the full potential of your smart oven.
- ✓ Oven Assistant with Voice Control: Intuitively set the right programme
- ✓ .
- ✓ Air fry: The healthier way to snack.
- ✓ activeClean® – The automatic, self-cleaning oven system.
- ✓ cookControl30: automatic programs ensure best results.

Built-in / Free-standing: ..... Built-in  
 Integrated Cleaning system: ..... Pyrolytic  
 Min. required niche size for installation (HxWxD): ..... 585-595 x 560-568 x 550 mm  
 Dimensions: ..... 595x594x548 mm  
 Dimensions of the packed product (HxWxD): ... 675 x 660 x 690 mm  
 Control Panel Material: ..... Glass  
 Door Material: ..... Glass  
 Weight: ..... 36.9 kg  
 Usable volume of cavity: ..... 71 l  
 Oven control: ..... electronic  
 Number of interior lights: ..... 1  
 Length electrical supply cord: ..... 120.0 cm  
 EAN code: ..... 4242003956274  
 Number of cavities (2010/30/EC): ..... 1  
 Energy efficiency rating: ..... A+  
 Energy consumption per cycle conventional (2010/30/EC): ..... 0.94 kWh/cycle  
 Energy consumption per cycle forced air convection (2010/30/EC): 0.69 kWh/cycle  
 Energy efficiency index (2010/30/EC): ..... 81.2 %  
 Connection Rating: ..... 3600 W  
 Fuse protection: ..... 16 A  
 Nominal power: ..... 220-240 V  
 Frequency: ..... 50; 60 Hz  
 Plug type: ..... no plug (electrical connection by electrician)  
 Included accessories: ..... 2 x combination grid, 1 x universal pan



2 x combination grid, 1 x universal pan

HZ327000 Baking stone, HZ32WA00 Wireless food thermometer, HZ530000 2 multipurpose pans, slim size, HZ531010 Baking tray, non-stick ceramic coated, HZ532010 Universal pan, non-stick ceramic coated, HZ538000 varioClip rail, HZ617000 Pizza pan, enamelled, HZ629070 Air Fry & Grill tray, HZ631070 Baking tray, enamelled, HZ632070 Multipurpose pan, enamelled, HZ633001 Lid for professional pan, enamelled, HZ633070 Professional pan with grid, enamelled, HZ633073 Professional pan, enamelled, HZ634000 Baking and roasting grid (standard), HZ636000 Glass pan, HZ638000 Full ext rails, level independent, HZ66X650 Cover Strip, HZ915003 Glass roasting dish, 5,4 L, HZG0AS00 Connecting cable 3m

## iQ500, Built-in oven, 60 x 60 cm, Stainless steel HB578GBS7B

### Features

- Oven with 8 main functions, 8 main functions heating methods: 3D hot air, conventional top & bottom heating, hot air grilling, full width grill, Pizza setting, coolStart, low temperature cooking, Hotair gentle
- Heating methods only via Home Connect App: air fry, bottom heating, let rest, preheating
- Temperature range 30 °C - 275 °C
- Cavity volume: 71 litres

### Level independent telescopic rails

- 5 shelf positions in oven
- Cavity with shelf support rails

### Design

- Stainless steel control dial, lightControl: intuitive operation thanks to the illuminated dials, round
- Cavity inner surface: enamel anthracite

### Cleaning

- activeClean
- Full glass inner door

### Programmes/functions

- LCD Display (White)
- Electronic oven clock timer
- Digital temperature display with proposal
- Heating-up indicator cookControl Automatic start
- cookControl, 30
- Drop down oven door, softClose, softOpen
- Bar handle
- softOpen
- Automatic programmes
- Fast preheat
- coolStart
- Interior halogen light, Light on/off when door opened/closed
- Integral cooling fan
- WLAN - Home connect enabled

### Accessories

- 2 x combination grid, 1 x universal pan

### Features

- Maximum door temperature 30 °C
- Low door temperature during pyrolytic cleaning
- Quadruple glazed door with heat reflective glass glazed CoolTouch door
- Electronic door lock
- Control panel lock Automatic safety switch off Residual heat indicator Door contact switch

### Technical information

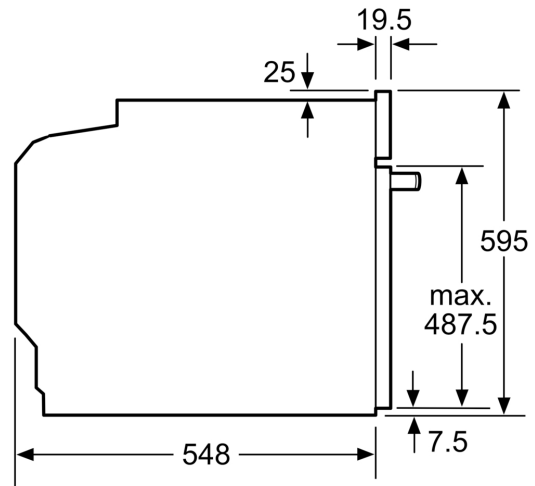
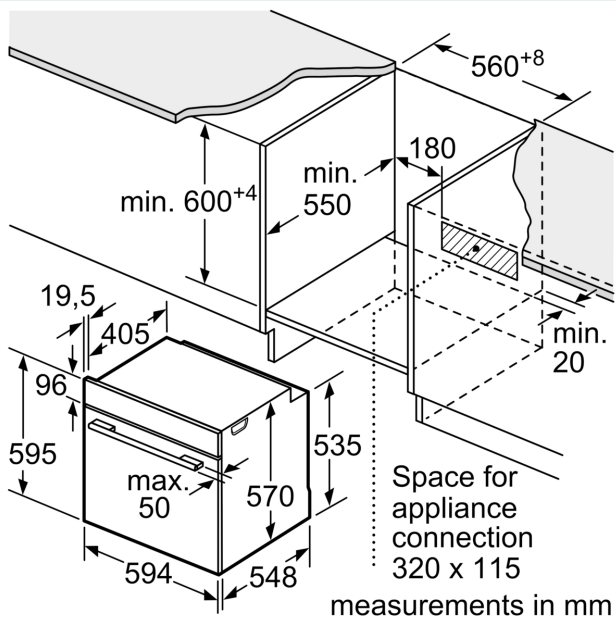
- 120 cm Cable length
- Nominal voltage: 220 - 240 V

- Total connected load electric: 3.6 KW
- Energy efficiency rating (acc. EU Nr. 65/2014): A+
- Energy consumption per cycle in conventional mode:0.94 kWh
- Energy consumption per cycle in fan-forced convection mode:0.69 kWh
- Number of cavities: Main cavity Heat source: electrical Cavity volume:71 litres

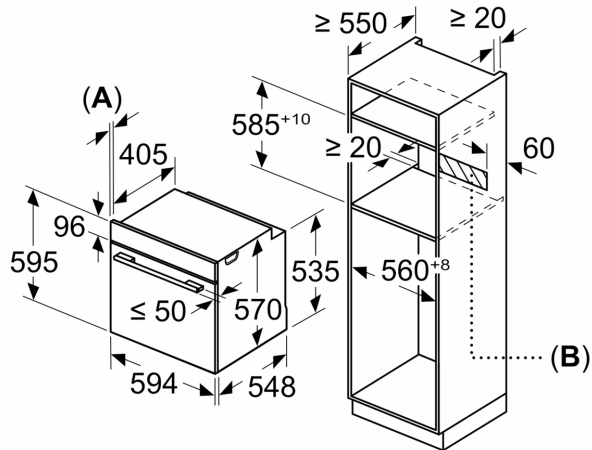
### Performance/technical information

- Appliance dimension (hxwx): 595 mm x 594 mm x 548 mm
- Niche dimension (hxwx): 585 mm - 595 mm x 560 mm - 568 mm x 550 mm
- Please refer to the dimensions provided in the installation manual
- We recommend you to choose complementary products within iQ500, in order to assure an optimal design combination of your Built-In appliances.

**iQ500, Built-in oven, 60 x 60 cm,  
Stainless steel  
HB578GBS7B**

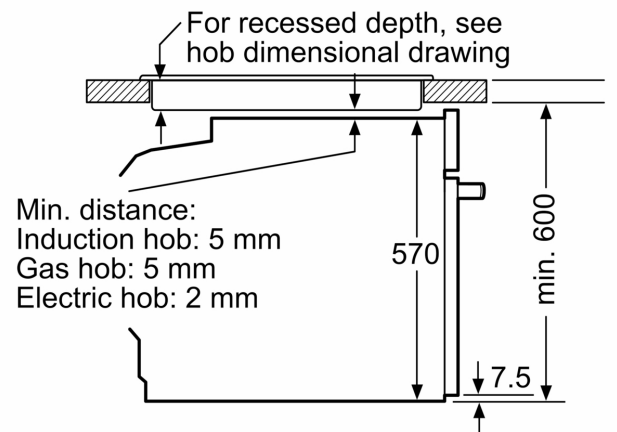


Measurements in mm



**A:** 19.5 mm  
**B:** Space for appliance connection 320 x 115 mm

Installation with a hob.



measurements in mm