

## iQ500, Built-in oven, 60 x 60 cm, Stainless steel HB578G5S6B



Shorten your cooking time thanks to fast preheat, coolStart and activeClean. And remote control your oven from anywhere with Home Connect.

- ✓ fastPreheat – Heat the oven quickly. coolStart – Eliminate preheating for frozen foods.
- ✓ activeClean® – The automatic, self-cleaning oven system.
- ✓ Home Connect – Experience the intelligent kitchen via app.
- ✓ cookControl30: automatic programs ensure best results.
- ✓ lightControl: intuitive operation thanks to the illuminated dial.

### Features

#### Technical Data

Built-in / Free-standing: ..... Built-in  
 Integrated Cleaning system: ..... Pyrolytic  
 Required niche size for installation (HxWxD): ..585-595 x 560-568 x 550 mm  
 Dimensions: ..... 595x594x548 mm  
 Dimensions of the packed product (HxWxD): ... 675 x 660 x 690 mm  
 Control Panel Material: .....Glass  
 Door Material: .....Glass  
 Weight: ..... 38.3 kg  
 Usable volume of cavity: ..... 71 l  
 Heating Types: ..... Full width grill, Hotair gentle, Hot Air, Conventional heat, Pizza setting, low temperature cooking, coolStart, Hot air grilling  
 Oven control: .....electronic  
 Length electrical supply cord: ..... 120.0 cm  
 EAN code: .....4242003861165  
 Number of cavities (2010/30/EC): .....1  
 Energy efficiency rating: ..... A  
 Energy consumption per cycle conventional (2010/30/EC): ..... 0.99 kWh/cycle  
 Energy consumption per cycle forced air convection (2010/30/EC): 0.81 kWh/cycle  
 Energy efficiency index (2010/30/EC): ..... 95.3 %  
 Connection Rating: ..... 3600 W  
 Fuse protection: ..... 16 A  
 Nominal power: .....220-240 V  
 Frequency: .....50; 60 Hz  
 Plug type: .....no plug (electrical connection by electrician)  
 Included accessories: ..... 2 x combination grid, 1 x universal pan



#### Included accessories

2 x combination grid, 1 x universal pan

#### Optional accessories

HZ327000 Baking stone, HZ32WA00 Wireless food thermometer, HZ531010 Baking tray, non-stick ceramic coated, HZ532010 Universal pan, non-stick ceramic coated, HZ538000 varioClip rail, HZ617000 Pizza pan, enamelled, HZ629070 Air Fry & Grill tray, HZ631070 Baking tray, enamelled, HZ632070 Multipurpose pan, enamelled, HZ634000 Baking and roasting grid (standard), HZ638000 Full ext rails, level independent, HZ664000 Baking and roasting grid (steam), HZ66X650 Cover Strip, HZ915003 Glass roasting dish, 5,4 L

## iQ500, Built-in oven, 60 x 60 cm, Stainless steel HB578G5S6B

### Features

#### Design

- LCD Display (White)
- lightControl: intuitive operation thanks to the illuminated dials
- Cavity inner surface: enamel anthracite
- Drop down oven door, softClose, softOpen
- Stainless steel control dial, lightControl: intuitive operation thanks to the illuminated dials, round
- Bar handle
- We recommend you to choose complementary products within iQ500, in order to assure an optimal design combination of your Built-In appliances.

#### Features

- Digital temperature display with proposal
- Heating-up indicator cookControl Automatic start Temperature probe
- Electronic door lock
- Control panel lock Automatic safety switch off Residual heat indicator Door contact switch
- WLAN - Home connect enabled
- Automatic programmes
- cookControl, 30
- roastingSensor
- Electronic oven clock timer
- Integral cooling fan
- Interior halogen light, Light on/off when door opened/closed
- 5 shelf positions in oven

#### Cleaning

- activeClean
- Full glass inner door

#### Programmes/functions

- Oven with 8 main functions, 8 main functions heating methods: 3D hot air, conventional top & bottom heating, hot air grilling, full width grill, Pizza setting, coolStart, low temperature cooking, Hotair gentle
- Fast preheat

#### Accessories

- 2 x combination grid, 1 x universal pan
- 1 varioClip rail, Stop function

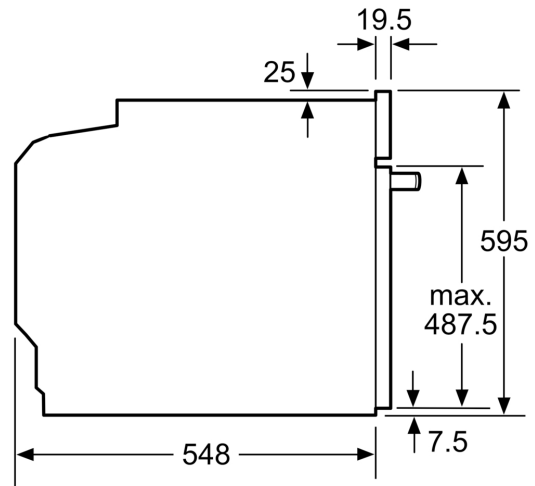
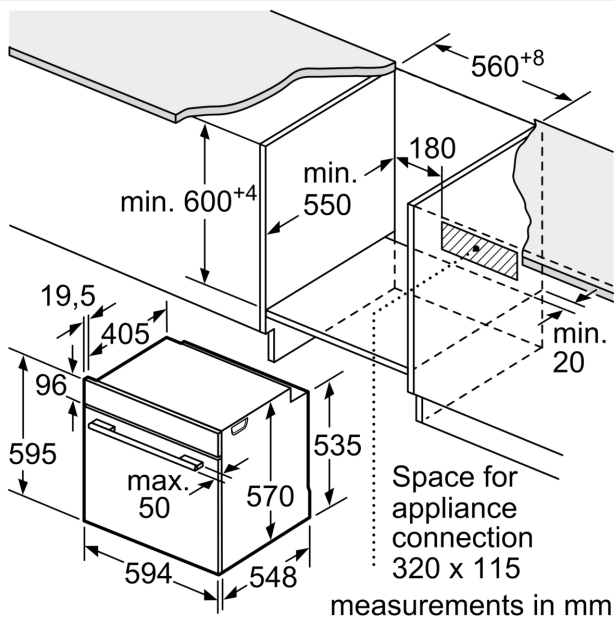
#### Technical information

- Energy efficiency rating (acc. EU Nr. 65/2014): A
- Energy consumption per cycle in conventional mode: 0.99 kWh
- Energy consumption per cycle in fan-forced convection mode: 0.81 kWh
- Number of cavities: Main cavity Heat source: electrical Cavity volume: 71 litres
- Temperature range 30 °C - 275 °C
- Total connected load electric: 3.6 KW
- 120 cm Cable length
- Nominal voltage: 220 - 240 V

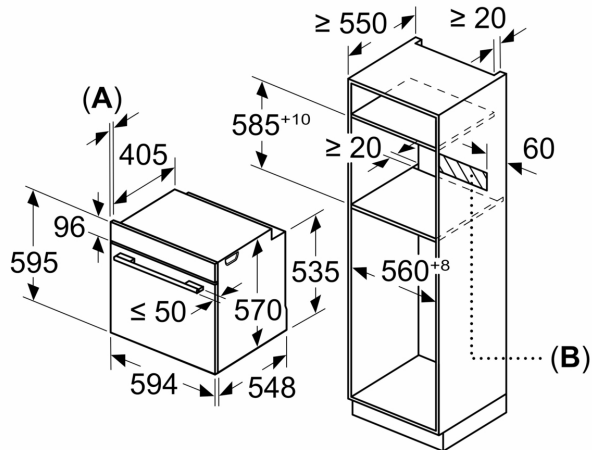
- Appliance dimension (hxwxd): 595 mm x 594 mm x 548 mm
- Niche dimension (hxwxd): 585 mm - 595 mm x 560 mm - 568 mm x 550 mm
- Please refer to the dimensions provided in the installation manual

**iQ500, Built-in oven, 60 x 60 cm,  
Stainless steel  
HB578G5S6B**

Dimensioned drawings

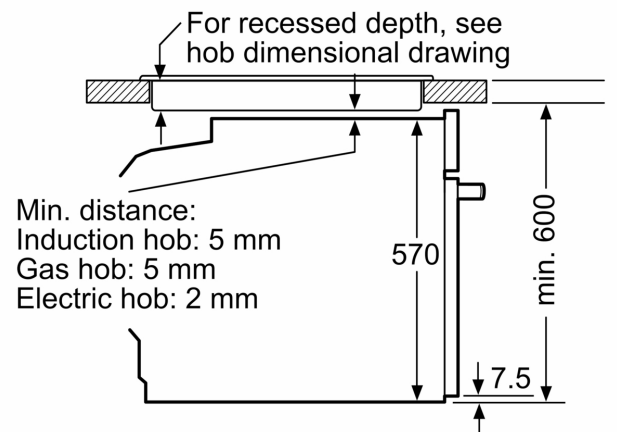


Measurements in mm



**A:** 19,5 mm  
**B:** Space for appliance connection 320 x 115 mm

Installation with a hob.



measurements in mm