

**iQ500, Built-in oven, 60 x 60 cm,
Stainless steel
HB537GBS3B**



2 x combination grid, 1 x universal pan

HZ327000 Baking stone, HZ32WA00 Wireless food thermometer, HZ530000 2 multipurpose pans, slim size, HZ531010 Baking tray, non-stick ceramic coated, HZ532010 Universal pan, non-stick ceramic coated, HZ538000 varioClip rail, HZ617000 Pizza pan, enamelled, HZ629070 Air Fry & Grill tray, HZ631070 Baking tray, enamelled, HZ632070 Multipurpose pan, enamelled, HZ633001 Lid for professional pan, enamelled, HZ633070 Professional pan with grid, enamelled, HZ633073 Professional pan, enamelled, HZ634000 Baking and roasting grid (standard), HZ636000 Glass pan, HZ638000 Full ext rails, level independent, HZ66X650 Cover Strip, HZ915003 Glass roasting dish, 5,4 L, HZG0AS00 Connecting cable 3m

Excellent results in your kitchen: 3D hotAir for even heat distribution on up to three levels.

- ✓ cookControl10: automatic programs ensure best results.
- ✓ 3D hotAir Plus – Even heat distribution on up to three levels for excellent results.
- ✓ softMove: gentle opening and closing of the oven door.
- ✓ lightControl: intuitive operation thanks to the illuminated dial.
- ✓ ecoClean: Cut down on oven cleaning

Built-in / Free-standing: Built-in
Integrated Cleaning system: ecoClean
programme, Hydrolytic

Min. required niche size for installation (HxWxD): 585-595 x 560-568 x 550 mm
Dimensions: 595x594x548 mm
Dimensions of the packed product (HxWxD): ... 675 x 660 x 690 mm
Control Panel Material:Glass
Door Material:Glass
Weight: 34.2 kg
Usable volume of cavity: 71 l
Oven control: mechanical
Number of interior lights:1
Length electrical supply cord: 120.0 cm
EAN code:4242003956151
Number of cavities (2010/30/EC):1
Energy efficiency rating: A+
Energy consumption per cycle conventional (2010/30/EC):0.94 kWh/cycle
Energy consumption per cycle forced air convection (2010/30/EC): 0.69 kWh/cycle
Energy efficiency index (2010/30/EC): 81.2 %
Connection Rating: 3600 W
Fuse protection:16 A
Nominal power: 220-240 V
Frequency:50; 60 Hz
Plug type:no plug (electrical connection by electrician)
Included accessories: 2 x combination grid, 1 x universal pan



iQ500, Built-in oven, 60 x 60 cm, Stainless steel HB537GBS3B

Features

- Oven with 7 PC heating methods: 3D hot air, conventional top & bottom heating, hot air grilling, full width grill, Pizza setting, bottom heat, Hotair gentle
- Temperature range 50 °C - 275 °C
- Cavity volume: 71 litres

Level independent telescopic rails

- 5 shelf positions in oven
- Cavity with shelf support rails

Design

- Stainless steel control dial, lightControl: intuitive operation thanks to the illuminated dials, round
- Cavity inner surface: enamel anthracite

Cleaning

- EcoClean Direct : back panel
- Full glass inner door

Programmes/functions

- LCD Display (white)
- Electronic oven clock timer
- Heating-up indicator
- cookControl Automatic start
- cookControl, 10
- Drop down oven door, softClose, softOpen
- Bar handle
- softOpen
- Automatic programmes
- fast preheat function
- Interior halogen light
- Integral cooling fan

Accessories

- 2 x combination grid, 1 x universal pan

Features

- Heat reflective glass
- Triple glazed door with heat reflective glass glazed CoolTouch door
- Control panel lock

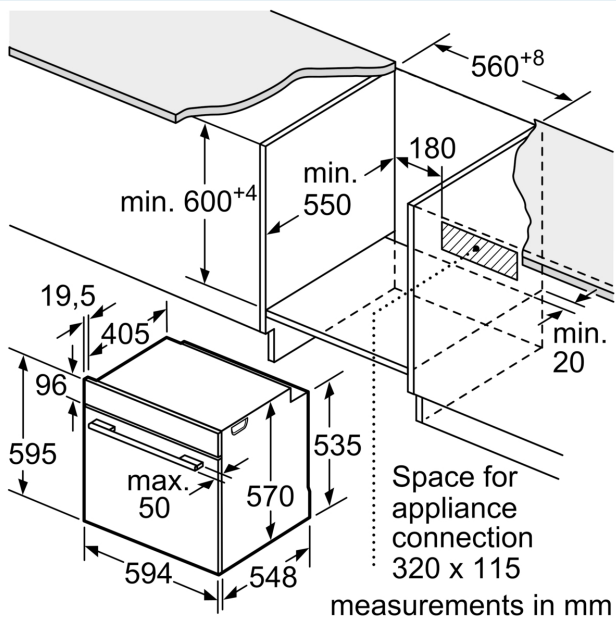
Technical information

- 120 cm Cable length
- Nominal voltage: 220 - 240 V
- Total connected load electric: 3.6 KW
- Energy efficiency rating (acc. EU Nr. 65/2014): A+
- Energy consumption per cycle in conventional mode:0.94 kWh
- Energy consumption per cycle in fan-forced convection mode:0.69 kWh
- Number of cavities: Main cavity Heat source: electrical Cavity volume:71 litres

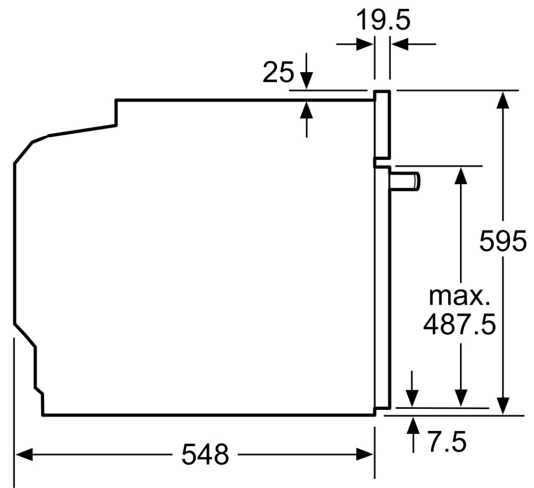
Performance/technical information

- Appliance dimension (hxwxd): 595 mm x 594 mm x 548 mm
- Niche dimension (hxwxd): 585 mm - 595 mm x 560 mm - 568 mm x 550 mm
- Please refer to the dimensions provided in the installation manual
- We recommend you to choose complementary products within iQ500, in order to assure an optimal design combination of your Built-In appliances.

**iQ500, Built-in oven, 60 x 60 cm,
Stainless steel
HB537GBS3B**

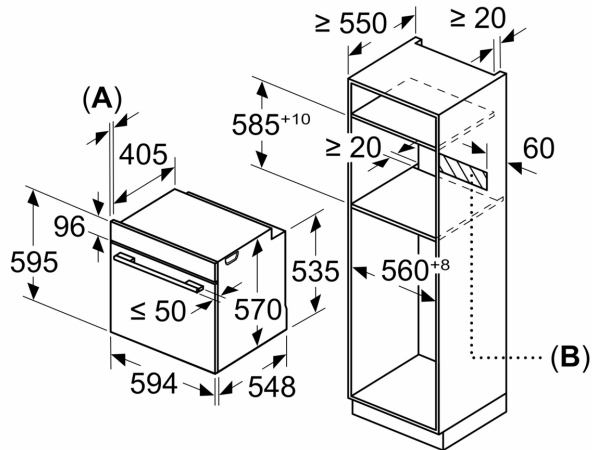


measurements in mm



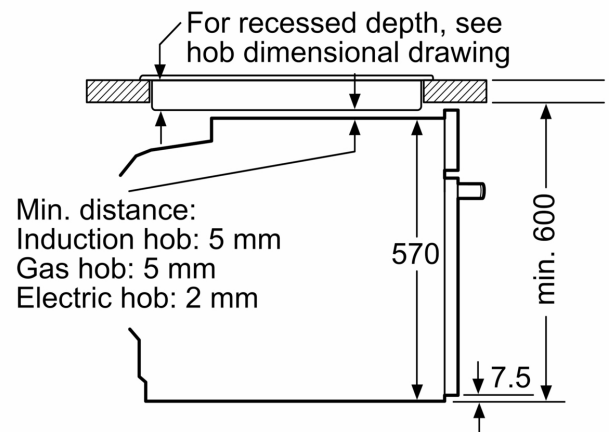
measurements in mm

Measurements in mm



A: 19.5 mm
B: Space for appliance connection 320 x 115 mm

Installation with a hob.



Min. distance:
Induction hob: 5 mm
Gas hob: 5 mm
Electric hob: 2 mm

measurements in mm