

iQ500, Built-in oven, 60 x 60 cm, Black HB478GCB0S



A



Shorten your cooking time thanks to fast preheat, coolStart and activeClean

- ✓ fastPreheat – Heat the oven quickly. coolStart – Eliminate preheating for frozen foods.
- ✓ activeClean® – The automatic, self-cleaning oven system.
- ✓ cookControl30: automatic programs ensure best results.
- ✓ lightControl: intuitive operation thanks to the illuminated dial.
- ✓ roastingSensor – Accurate, reliable thermometer for perfect roasts.

Features

Technical Data

Built-in / Free-standing: Built-in
 Integrated Cleaning system: Pyrolytic+Hydrolytic
 Min. required niche size for installation (HxWxD): 585-595 x 560-568 x 550 mm
 Dimensions: 595 x 594 x 548 mm
 Dimensions of the packed product (HxWxD): ... 670 x 660 x 690 mm
 Control Panel Material: Glass
 Door Material: Glass
 Weight: 39.9 kg
 Usable volume of cavity: 71 l
 Heating Types: Full width grill, Hotair gentle, Hot Air, Conventional heat, Pizza setting, low temperature cooking, Deep-frozen food special, Bottom heat, Hot air grilling
 Oven control:electronic
 Number of interior lights: 1
 Length electrical supply cord: 120.0 cm
 EAN code:4242003802434
 Number of cavities (2010/30/EC): 1
 Energy efficiency rating: A
 Energy consumption per cycle conventional (2010/30/EC): 0.99 kWh/cycle
 Energy consumption per cycle forced air convection (2010/30/EC): 0.81 kWh/cycle
 Energy efficiency index (2010/30/EC): 95.3 %
 Connection Rating: 3600 W
 Fuse protection: 16 A
 Nominal power: 220-240 V
 Frequency: 60; 50 Hz
 Plug type: Gardy plug w/ earthing
 Included accessories: 2 x enamel baking tray, 1 x combination grid, 1 x universal pan



Included accessories

2 x enamel baking tray, 1 x combination grid, 1 x universal pan

Optional accessories

HZ327000 Baking stone, HZ32WA00 Wireless food thermometer, HZ531010 Baking tray, non-stick ceramic coated, HZ532010 Universal pan, non-stick ceramic coated, HZ538000 varioClip rail, HZ617000 Pizza pan, enamelled, HZ629070 Air Fry & Grill tray, HZ631070 Baking tray, enamelled, HZ632070 Multipurpose pan, enamelled, HZ633001 Lid for professional pan, enamelled, HZ633070 Professional pan, enamelled, HZ634000 Baking and roasting grid (standard), HZ636000 Glass pan, HZ638000 Full ext rails, level independent, HZ664000 Baking and roasting grid (steam), HZ66X650 Cover Strip, HZ915003 Glass roasting dish, 5,4 L, HZG0AS00 Connecting cable 3m

iQ500, Built-in oven, 60 x 60 cm, Black HB478GCB0S

Features

Features

- Oven with 9 PC heating methods: 3D hot air, conventional top & bottom heating, hot air grilling, full width grill, Pizza setting, coolStart, bottom heat, low temperature cooking, Hotair gentle
- Temperature range 30 °C - 275 °C
- Cavity volume: 71 litres

Level independent telescopic rails

- 5 shelf positions in oven
- Cavity with shelf support rails

Design

- studioLine Black Steel Design
- lightControl: intuitive operation thanks to the illuminated dials
- Stainless steel control dial, lightControl: intuitive operation thanks to the illuminated dials, round
- Cavity inner surface: enamel anthracite

Cleaning

- activeClean
- humidClean
- Full glass inner door

Programmes/functions

- LCD Display (White)
- Electronic oven clock timer
- Digital temperature display with proposal
- Heating-up indicator cookControl Automatic start Temperature probe
- cookControl, 30
- Drop down oven door, softClose, softOpen
- studioLine Black Steel Design
- Automatic programmes
- roastingSensor
- Fast preheat
- coolStart
- Interior halogen light, Light on/off when door opened/closed
- Integral cooling fan

Accessories

- 2 x enamel baking tray, 1 x combination grid, 1 x universal pan

Features

- Maximum door temperature 30 °C
- Low door temperature during pyrolytic cleaning
- Electronic door lock
- Control panel lock Automatic safety switch off Residual heat indicator

Technical information

- 120 cm Cable length
- Nominal voltage: 220 - 240 V
- Total connected load electric: 3.6 KW
- Energy efficiency rating (acc. EU Nr. 65/2014): A

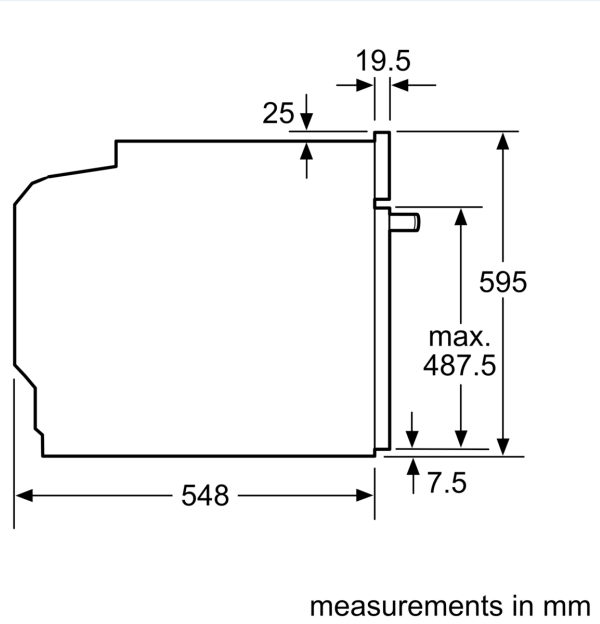
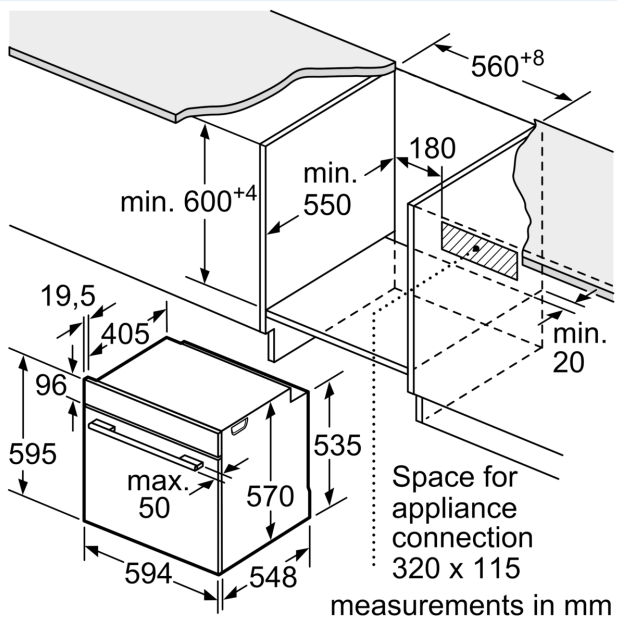
- Energy consumption per cycle in conventional mode:0.99 kWh
- Energy consumption per cycle in fan-forced convection mode:0.81 kWh
- Number of cavities: Main cavity Heat source: electrical Cavity volume:71 litres

Performance/technical information

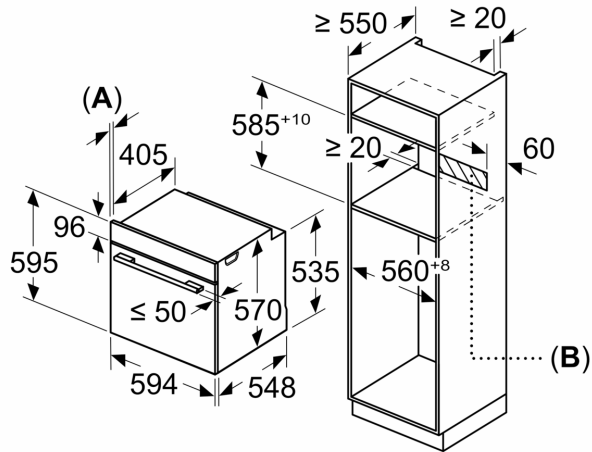
- Appliance dimension (hxwx): 595 mm x 594 mm x 548 mm
- Niche dimension (hxwx): 585 mm - 595 mm x 560 mm - 568 mm x 550 mm
- Please refer to the dimensions provided in the installation manual
- We recommend you to choose complementary products within IQ500, in order to assure an optimal design combination of your Built-In appliances.

**iQ500, Built-in oven, 60 x 60 cm,
Black
HB478GCB0S**

Dimensioned drawings



Measurements in mm



A: 19.5 mm
B: Space for appliance connection 320 x 115 mm

Installation with a hob.

