

## iQ500, Built-in oven, 60 x 60 cm, Black HB458GCB6B



Shorten your cooking time thanks to fast preheat and coolStart. And remote your oven from anywhere with Home Connect.

- ✓ fastPreheat – Heat the oven quickly. coolStart – Eliminate preheating for frozen foods.
- ✓ Far less oven cleaning – ecoClean Plus.
- ✓ Home Connect – Experience the intelligent kitchen via app.
- ✓ cookControl30: automatic programs ensure best results.
- ✓ lightControl: intuitive operation thanks to the illuminated dial.

Built-in / Free-standing: ..... Built-in  
 Integrated Cleaning system: ..... ecoClean programme  
 Min. required niche size for installation (HxWxD): ..... 585-595 x 560-568 x 550 mm  
 Dimensions: ..... 595 x 594 x 548 mm  
 Dimensions of the packed product (HxWxD): ... 675 x 660 x 690 mm  
 Control Panel Material: ..... Glass  
 Door Material: ..... Glass  
 Weight: ..... 34.1 kg  
 Usable volume of cavity: ..... 71 l  
 Heating Types: ..... Full width grill, Hotair gentle, Hot Air, Conventional heat, Pizza setting, low temperature cooking, Deep-frozen food special, Hot air grilling  
 Oven control: ..... electronic  
 Number of interior lights: ..... 1  
 Length electrical supply cord: ..... 120.0 cm  
 EAN code: ..... 4242003860632  
 Number of cavities (2010/30/EC): ..... 1  
 Energy efficiency rating: ..... A  
 Energy consumption per cycle conventional (2010/30/EC): ..... 0.97 kWh/cycle  
 Energy consumption per cycle forced air convection (2010/30/EC): 0.81 kWh/cycle  
 Energy efficiency index (2010/30/EC): ..... 95.3 %  
 Connection Rating: ..... 3600 W  
 Fuse protection: ..... 16 A  
 Nominal power: ..... 220-240 V  
 Frequency: ..... 50; 60 Hz  
 Plug type: ..... no plug (electrical connection by electrician)  
 Included accessories: ..... 2 x combination grid, 1 x universal pan



2 x combination grid, 1 x universal pan

HZ317000 Pizza pan, enamelled, HZ327000 Baking stone, HZ333001 Lid for professional pan, HZ531000 Baking tray, enamelled, HZ531010 Baking tray, non-stick ceramic coated, HZ532000 Multipurpose pan, enamelled, HZ532010 Universal pan, non-stick ceramic coated, HZ533000 Professional pan, enamelled, HZ538000 varioClip rail, HZ538200 2 level telescopic shelf rails, HZ538S00 3level telescopic rails incl 1 varioClip, HZ625071 Grill tray, enamelled, HZ633001 Lid for professional pan, enamelled, HZ633070 Professional pan, enamelled, HZ634000 Baking and roasting grid (standard), HZ636000 Glass pan, HZ638000 Full ext rails, level independent, HZ638200 2 level telescopic shelf rails, full ext, HZ638300 3 level telescopic rails, full ext, HZ664000 Baking and roasting grid (steam), HZ66X650 Cover Strip, HZ915003 Glass roasting dish, 5,4 L

## iQ500, Built-in oven, 60 x 60 cm, Black HB458GCB6B

### Design

- lightControl: intuitive operation thanks to the illuminated dials
- Stainless steel control dial, lightControl: intuitive operation thanks to the illuminated dials, round
- Cavity inner surface: enamel anthracite
- Cavity with shelf support rails
- LCD Display (White)
- Drop down oven door, softClose, softOpen
- studioLine Black Steel Design
- We recommend you to choose complementary products within IQ500, in order to assure an optimal design combination of your Built-In appliances.

### Features

- WLAN - Home connect enabled
- Electronic oven clock timer
- Control panel lock
- Automatic safety switch off Residual heat indicator Door contact switch
- Digital temperature display with proposal
- Heating-up indicator cookControl Automatic start Temperature probe
- cookControl, 30
- roastingSensor
- Interior halogen light, Light on/off when door opened/closed
- Integral cooling fan
- 5 shelf positions in oven

### Cleaning

- EcoClean Direct : ceiling, back panel, side liners
- ecoClean programme
- Full glass inner door

### Programmes/functions

- Oven with 8 main functions, 8 main functions heating methods: 3D hot air, conventional top & bottom heating, hot air grilling, full width grill, Pizza setting, coolStart, low temperature cooking, Hotair gentle
- Automatic programmes
- Fast preheat
- coolStart

### Accessories

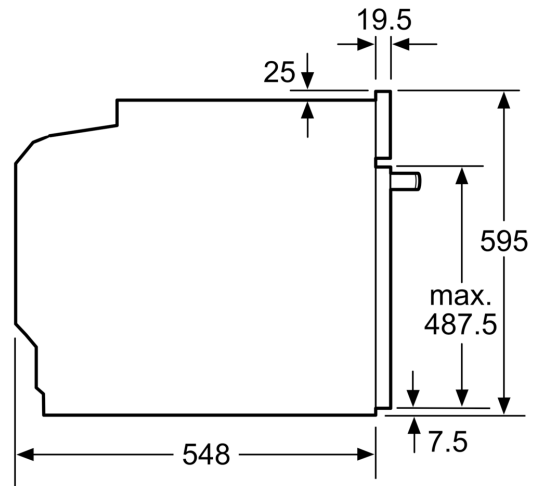
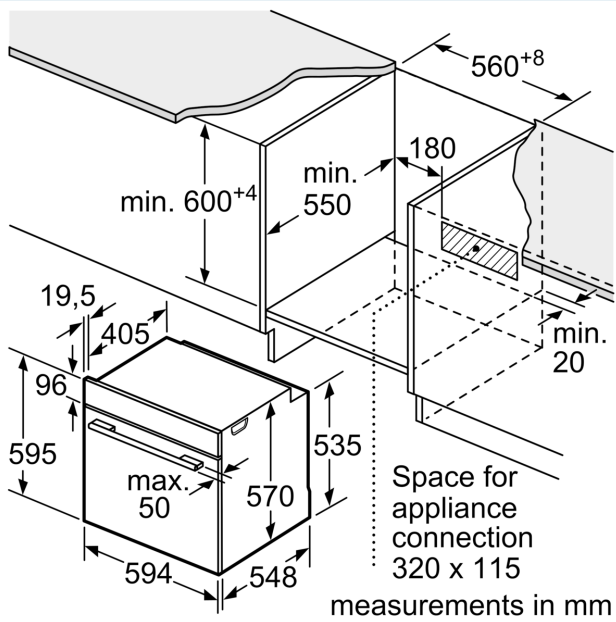
- 2 x combination grid, 1 x universal pan

### Performance/technical information

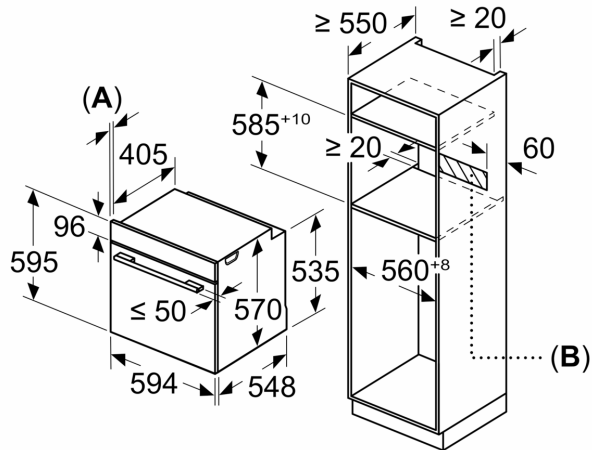
- Energy efficiency rating (acc. EU Nr. 65/2014): A
- Energy consumption per cycle in conventional mode:0.97 kWh
- Energy consumption per cycle in fan-forced convection mode:0.81 kWh
- Number of cavities: Main cavity Heat source: electrical Cavity volume:71 litres
- 120 cm Cable length
- Nominal voltage: 220 - 240 V

- Total connected load electric: 3.6 KW
- Temperature range 30 °C - 275 °C
- Appliance dimension (hxwxh): 595 mm x 594 mm x 548 mm
- Niche dimension (hxwxh): 585 mm - 595 mm x 560 mm - 568 mm x 550 mm
- Please refer to the dimensions provided in the installation manual

**iQ500, Built-in oven, 60 x 60 cm,  
Black  
HB458GCB6B**



Measurements in mm



**A:** 19.5 mm  
**B:** Space for appliance connection 320 x 115 mm

Installation with a hob.

