



GV251100

Included accessories

- 50 x vacuuming bag small
- 50 x vacuuming bag big
- 1 x raised vacuuming platform
- 1 x adaptor f. vacuuming outside the chamber
- 1 x vacuuming hose
- 1 x adaptor for bottle plugs
- 3 x plugs for vacuuming of bottles

vacuuming drawer Gaggenau Minimalistic series
60 x 14 cm, Gaggenau Onyx
GV251100

Highlights

- Integrable in 14 cm high niche
- Hygienic stainless steel vacuuming chamber, applicable height up to 95 mm
- 3 vacuuming levels for vacuuming in the chamber, max. 99%
- 3 vacuuming levels for vacuuming outside the chamber, max. 90%
- Automatic connection recognition for vacuuming outside the chamber
- Flush installation
- Handleless drawer
- Push-to-open function.

Application

- Vacuuming for sous-vide cooking.
- Vacuuming for fast marinating and flavouring.
- Vacuuming for fast marinating and flavouring.
- Vacuuming of vacuuming containers outside the chamber.
- Vacuuming of liquids in bottles outside the chamber.

Handling

- Touch key operation.

Features

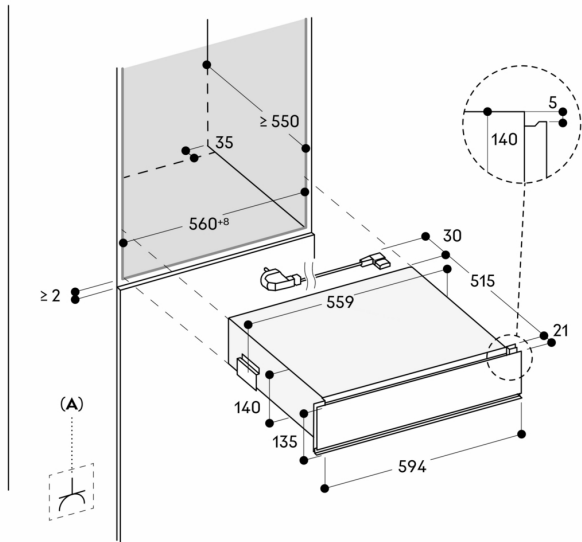
- Net volume 7 litres.
- Capacity load max. 10 kg.
- Maximum size of vacuuming bags W 240 mm x L 350 mm.
- 3 heat-sealing levels for different strengths of bag material.
- Sealing bar, non-stick coating, removable.
- Safety glass cover, opens automatically after vacuuming.
- Raised vacuuming platform, 44 mm, deployable.
- Utility space in vacuuming chamber, W 210 mm x L 275 mm.
- Membrane for avoiding reflow of liquids during vacuuming outside the chamber.
- Drying programme for vacuuming pump.

Planning notes

- Plan the niche without back wall.
- Protrusion from appliance front to furniture cabinet 21 mm.
- Installation of GO/GS/GM/GC directly above the drawer without intermediate shelf.
- Drawers installed above a dishwasher need a specific niche.
- The socket can be planned behind the appliance.
- Special accessories (order as spare parts):
Part No. 00578813 vacuuming bags, small
Part No. 00578814 vacuuming bags, big.

Connection

- Total connected load 0.32 KW.
- Connection cable 1.50 m, pluggable.



A: Accessible electrical connection
Measurements in mm