

**Series 4, Built-in freezer, 82 x 59.8 cm, flat hinge
GUN21VFE0G**



1 x ice cube tray

KFZ10AX0 Door panel with decor frame
KUZ20SX0 Attachment door, stainless steel

Built-under freezer with No Frost and Door Alarm for convenient and worry-free freezing where space is limited.

- **No Frost:** never defrost again, thanks to perfect protection from ice formation - that saves time and effort.

Energy Efficiency Class: E
 Average annual energy consumption in kilowatt hour per year (kWh/a): 189 kWh/annum
 Sum of volume of frozen compartments: 85 l
 Airborne acoustical noise emissions : 35 dB(A) re 1pW
 Airborne acoustical noise emission class: B
 Light: No
 Product category: Upright freezer
 Built-in / Free-standing: Built-in
 Frost free system: Fridge and freezer
 Height of the appliance: 820 mm
 Width of the appliance: 598 mm
 Depth: 548 mm
 Min. required niche size for installation (HxWxD): 820 x 600 x 550 mm
 Dimensions of the packed product (HxWxD): 890 x 655 x 625 mm
 Net weight: 30.8 kg
 Gross weight: 33.5 kg
 Fuse protection: 10 A
 Frequency: 50 Hz
 Length electrical supply cord: 230.0 cm
 Door hinge: Right reversible
 Defrost: Automatic
 Warning signal / malfunction: Visual
 Door lock: No
 Number of drawers/baskets (Stck): 3
 Number of freezing flaps (Stck): 0
 EAN code: 4242005381104
 Brand: Bosch
 Product name / Commercial code: GUN21VFE0G
 Product category: Upright freezer
 Included accessories: 1 x ice cube tray



Series 4, Built-in freezer, 82 x 59.8 cm, flat hinge GUN21VFE0G

Built-under freezer with No Frost and Door Alarm for convenient and worry-free freezing where space is limited.

Performance and Consumption

- EU19_EEK_D: E
- Total Volume : 85 l
- Annual Energy Consumption: 189 kWh/a
- Climate Class: SN-T
- Noise Level : 35 dB , EU19_Noise emission class_D: B

Functions

Design features

- NO_FROST_NEU_BL, never have to defrost ever again
- LED electronic control
- Sabbath-Mode
- Freezer malfunction warning signal: optical and accoustical
- SuperFreeze function with automatic deactivation
- Home Connect: Remote diagnostics, Remote Monitoring and Control
- Easy clean interior

Food freshness system

- Net Freezer Volume : 85 l
- 3 freezer drawers
- Temperature rise time : EU19_Temperature rise time_D: 9 H
- EU19_Fast freezer facility_D
- Freezing capacity 24h : 8 kg
- Ice box

Key features - Freezer section

- GUN21VFE0G
- Right hinged door, door reversible
- built under
- Ventilation through plinth
- Length of power cord:230 cm
- 220 - 240 V

Dimension and installation

- Niche Dimensions: 82 cm H x 60 cm W x 55 cm D
- Dimensions: 82 cm H x 59.8 cm W x 54.8 cm D

Country Specific Options

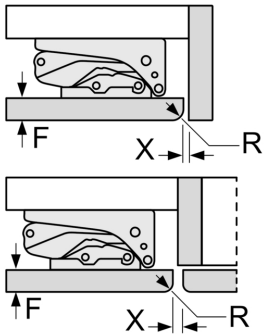
- Based on the results of the standard 24-hour test. Actual consumption depends on usage/position of the appliance.

Additional features

**Series 4, Built-in freezer, 82 x 59.8 cm, flat hinge
GUN21VFE0G**

measurements in mm

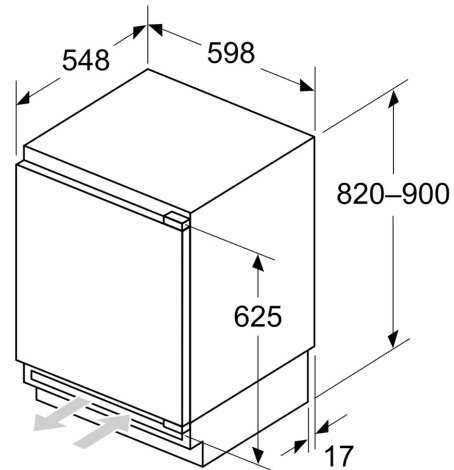
Recommended gap dimensions for flat hinges



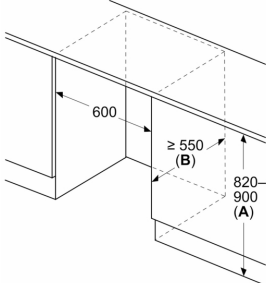
F	R	X
16-19	0-3	2.5
20	0-1	3
	2-3	2.5
21	0-1	3
	2-3	2.5
22	0	4
	1	3.5
	2-3	3

The gap dimensions recommended in the table must be adhered to in order to ensure that appliance doors do not collide with anything when they are opened, and to avoid causing damage to kitchen units.

Measurements in mm



Measurements in mm

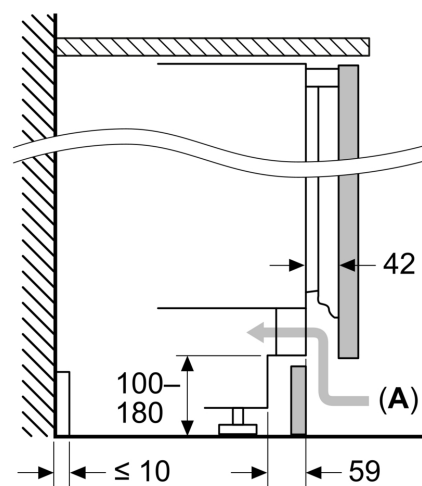


A: Substructure height

B: ≥ 560 mm (recommended)

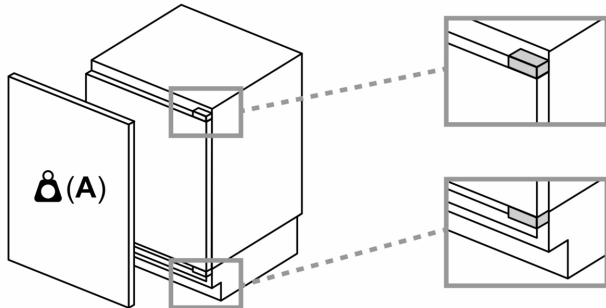
Space for electrical connection next to the appliance on the left or right side

Measurements in mm



A: Air inlet ≥ 200 cm²

Maximal permissible weight of the unit fronts



Fitted unit fronts that exceed the permissible weight may cause damage and result in functional impairment of the hinges

A: Weight \leq 12 kg