

## iQ500, Built-under freezer, 82 x 59.8 cm GU15DA50GB



undercounter freezer with 3 handy transparent freezer drawers and superFreezing for freezing foods faster.

- ✓ The superFreezing button reduces the temperature for a set time, to quickly freeze newly added food items.
- ✓ 3 transparent freezer drawers provide plenty of space and an optimum view.
- ✓ The multiAlarm system notifies you visually and acoustically if the temperature goes up.
- ✓ The superFreezing button reduces the temperature for a set time, to quickly freeze newly added food items.

### Features

#### Technical Data

Thermometer freeze section : Analog  
 Light : No  
 Product category : Upright freezer  
 Construction type : Built-in  
 Door panel options : Possible but accessory  
 Frost free system : No  
 Height of the product (mm) : 820  
 Width of the appliance : 598  
 Depth of the product : 548  
 Dimensions of the packed product (HxWxD) (mm) : 890 x 620 x 670  
 Net weight (kg) : 36.235  
 Gross weight (kg) : 38.4  
 Connection rating (W) : 90  
 Current (A) : 13  
 Frequency (Hz) : 50  
 Approval certificates : CE, G-Mark, VDE  
 Length of electrical supply cord (cm) : 230  
 Door hinge : Right reversible  
 Storage Period in Event of Power Failure (h) : 23  
 Defrost process : manual  
 Warning signal / malfunction : visual and audible  
 Lockable door : No  
 Number of drawers/baskets (Stck) : 3  
 Number of freezing flaps (Stck) : 0  
 EAN code : 4242003556238  
 Brand : Siemens  
 Product name / Commercial code : GU15DA50GB  
 Product category : Upright freezer  
 Energy efficiency rating : A+  
 Energy consumption annual (kWh/annum) - NEW (2010/30/EC) : 184.00  
 Freezer Net capacity (l) - NEW (2010/30/EC) : 98  
 Freezing capacity (kg/24h) - NEW (2010/30/EC) : 12  
 Climate class : SN-ST  
 Noise level (dB(A) re 1 pW) : 38  
 Installation type : Built-under



**iQ500, Built-under freezer, 82 x 59.8  
cm  
GU15DA50GB**

#### Features

##### Performance and Consumption

- Energy Efficiency Class: A+
- Energy Efficiency Class: A+ kWh/yr: 184
- Total net capacity: 98 l litres
- Noise level dB(A) re 1 pW: 38

##### Design features

- Right hinged door, reversible door
- Dial temperature control

##### Food freshness system

- 1 compressor/1 cooling circuit

##### Key features - Freezer section

- 3 freezer drawers
- superFreeze function with automatic deactivation
- Freezing capacity in 24 hours: 12 kg
- Maximum freezer storage time in power failure: 23 hours

##### Functions

- Freezer door open alarm
- Freezer malfunction warning signal: optical, acoustical

##### Included accessories

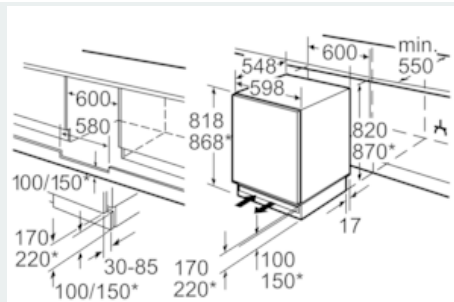
- KF10ZAX0, KU20ZSX0

##### Dimension and installation

- Climate class SN-ST (suitable for ambient temperatures between 10 to 38°C)
- Connection value 90 W
- Dimensions: 82 cm H x 59.8 cm W x 54.8 cm D
- Niche Dimensions: 82 cm H x 60 cm W x 55 cm D

**iQ500, Built-under freezer, 82 x 59.8  
cm  
GU15DA50GB**

Dimensioned drawings



\* variable base/substructure height

Space for electrical connection next to the  
appliance on the left or right-hand side.  
Ventilation space in the base.

measurements in mm