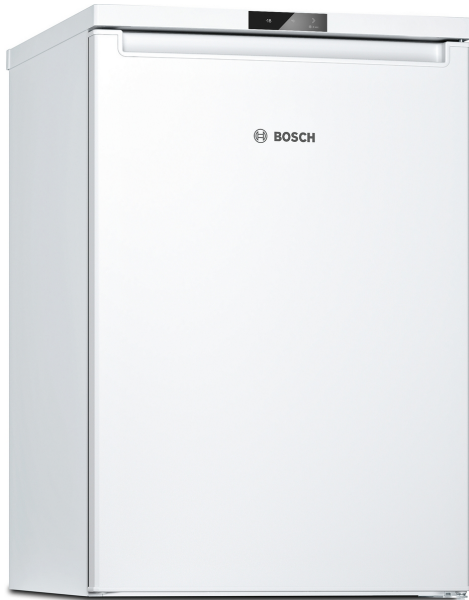


**Series 2, Under Counter Freezer, 85 x 56 cm, White
GTV15NWEBG**



The freezer with low energy and 3 transparent freezer drawers: provides ample room and a good overview - very efficient.

- **An audible alarm system signals the door is open**
- **Super Freeze function:** prevents the food in your freezer from defrosting.

Technical Data

Energy Efficiency Class¹: E
 Average annual energy consumption in kilowatt hour per year (kWh/a): 164 kWh/annum
 Sum of volume of frozen compartments: 83 l
 Airborne acoustical noise emissions : 39 dB(A) re 1pW
 Airborne acoustical noise emission class: C
 Thermometer freeze section: Digital
 Light: No
 Product category: Upright freezer
 Built-in / Free-standing: Freestanding
 Frost free system: Not applicable
 Height of the appliance: 850 mm
 Width of the appliance: 560 mm
 Depth: 580 mm
 Dimensions of the packed product (HxWxD): 883 x 580 x 590 mm
 Net weight: 31.1 kg
 Gross weight: 33.0 kg
 Fuse protection: 13 A
 Frequency: 50 Hz
 Length electrical supply cord: 200.0 cm
 Door hinge: Right reversible
 Color / Material body: White
 Warning signal / malfunction: Both visual and audible
 Door lock: No
 Number of drawers/baskets (Stck): 3
 Number of freezing flaps (Stck): 0
 EAN code: 4242005424818
 Brand: Bosch
 Product name / Commercial code: GTV15NWEBG
 Product category: Upright freezer
 Included accessories: 1 x ice cube tray



¹ Scale of Energy Efficiency Classes from A to G

Series 2, Under Counter Freezer, 85 x 56 cm, White GTV15NWEBG

**The freezer with low energy and 3
transparent freezer drawers: provides
ample room and a good overview - very
efficient.**

- Undercounter freezer

Performance and Consumption

- EU19_EEK_D: E
- Total Volume : 83 l
- Annual Energy Consumption: 164 kWh/a
- Noise Level : 39 dB , EU19_Noise emission class_D: C

Functions

- white
- Integrated horizontal handle
- Freezing possible in all freezer compartments
- Interior design with metal applications

Design features

- SuperFreezing function with automatic deactivation
- Freezer malfunction warning signal: optical and accoustical
- Simple electronic

Food freshness system

- Net Freezer Volume : 83 l
- EU19_Fast freezer facility_D
- Temperature rise time : EU19_Temperature rise time_D: 15.5 H
- Freezing capacity 24h : 4 kg
- 3 freezer drawers

Dimension and installation

- Dimensions: 85 cm H x 56 cm W x 58 cm D

Key features - Fridge section

- 220 - 240 V
- Climate Class: SN-T
- Length of power cord:200 cm

Key features - Freezer section

Included accessories

Country Specific Options

- Based on the results of the standard 24-hour test. Actual consumption depends on usage/position of the appliance.

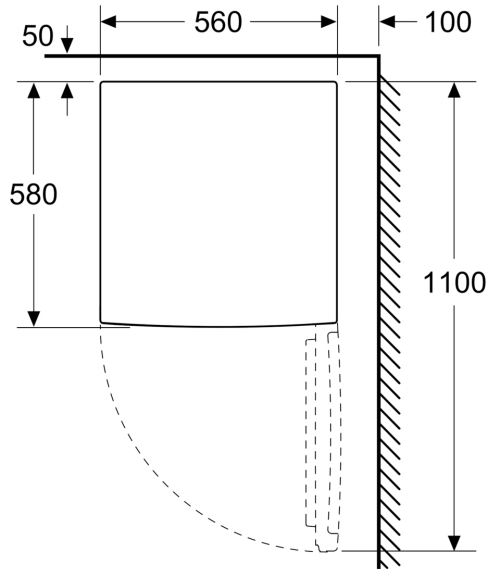
Design features

Dimension and installation

Additional features

**Series 2, Under Counter Freezer, 85
x 56 cm, White
GTV15NWEBG**

measurements in mm



measurements in mm

