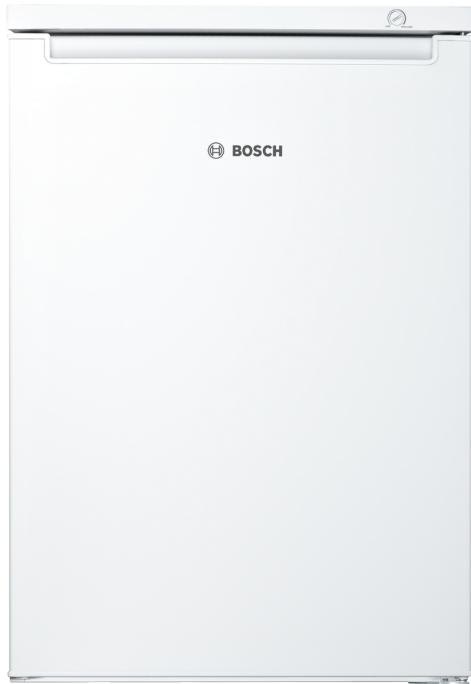


**Series 2, Under Counter Freezer, 85
x 56 cm, White
GTV15NWEAG**



The freezer with low energy and 3 transparent freezer drawers: provides ample room and a good overview - very efficient.

Energy Efficiency Class:	E
Average annual energy consumption in kilowatt hour per year (kWh/a):	164 kWh/annum
Sum of volume of frozen compartments:	83 l
Airborne acoustical noise emissions :	39 dB(A) re 1pW
Airborne acoustical noise emission class:	C
Thermometer freeze section:	None
Light:	No
Product category:	Upright freezer
Built-in / Free-standing:	Freestanding
Frost free system:	No
Height of the appliance:	850 mm
Width of the appliance:	560 mm
Depth:	580 mm
Dimensions of the packed product (HxWxD):	900 x 580 x 590 mm
Net weight:	32.6 kg
Gross weight:	34.5 kg
Connection rating:	80 W
Fuse protection:	13 A
Frequency:	50 Hz
Length electrical supply cord:	150.0 cm
Door hinge:	Right reversible
Color / Material body:	White
Warning signal / malfunction:	No signal
Door lock:	No
Number of drawers/baskets (Stck):	3
Number of freezing flaps (Stck):	0
EAN code:	4242005238934
Brand:	Bosch
Product name / Commercial code:	GTV15NWEAG
Product category:	Upright freezer



Series 2, Under Counter Freezer, 85 x 56 cm, White GTV15NWEAG

The freezer with low energy and 3 transparent freezer drawers: provides ample room and a good overview - very efficient.

- GTV15NWEAG

Functions

- white
- Integrated horizontal handle

Design features

- Mechanical control

Food freshness system

- 3 freezer drawers

Dimension and installation

- Dimensions: 85 cm H x 56 cm W x 58 cm D

Key features - Fridge section

- 220 - 240 V

Key features - Freezer section

Included accessories

Country Specific Options

- Based on the results of the standard 24-hour test. Actual consumption depends on usage/position of the appliance.

Design features

Dimension and installation

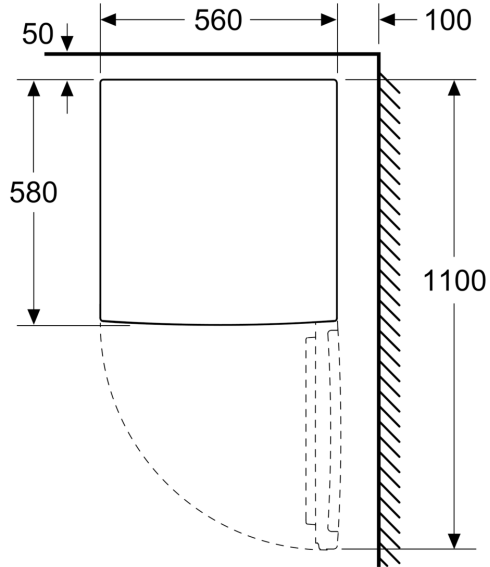
Additional features

Performance and Consumption

- EU19_EEK_D: E
- Total Volume : 83 l
- Net Fridge Volume : 0 l
- Net Freezer Volume : 83 l
- Freezing capacity 24h : 4 kg
- Annual Energy Consumption: 164 kWh/a
- Climate Class: SN-T
- EU19_Fast freezer facility_D
- Noise Level : 39 dB , EU19_Noise emission class_D: C
- Temperature rise time : EU19_Temperature rise time_D: 15.5 H

**Series 2, Under Counter Freezer, 85
x 56 cm, White
GTV15NWEAG**

measurements in mm



measurements in mm

