

Series 4, Free-standing freezer, 186 x 60 cm, Stainless steel look GSN36VLFPG



2 x cold accumulator, 1 x ice cube tray

KSZ39AL00 Connection set inox

This energy efficient freezer with 4 transparent freezer drawers: provides ample room and a good overview

- **No Frost:** never defrost again, thanks to perfect protection from ice formation - that saves time and effort.
- **VarioZone:** more flexibility due to variable-use glass shelves and drawers in the freezer compartment.
- **Big Box drawer:** easily stack food containers and store larger items in your freezer.
- **Multi Airflow System:** even air distribution for longer freshness.



Energy Efficiency Class: F
 Average annual energy consumption in kilowatt hour per year (kWh/a): 294 kWh/annum
 Sum of volume of frozen compartments: 242 l
 Airborne acoustical noise emissions : 39 dB(A) re 1pW
 Airborne acoustical noise emission class: C
 Thermometer freeze section: Digital
 Light: No
 Product category: Upright freezer
 Built-in / Free-standing: Freestanding
 Door panel options: Not possible
 Frost free system: Fridge and freezer
 Height of the appliance: 1860 mm
 Width of the appliance: 600 mm
 Depth: 650 mm
 Dimensions of the packed product (HxWxD): ... 1925 x 660 x 765 mm
 Net weight: 70.4 kg
 Gross weight: 76.1 kg
 Fuse protection: 10 A
 Frequency: 50 Hz
 Length electrical supply cord: 230.0 cm
 Door hinge: Right reversible
 Defrost: Automatic
 Warning signal / malfunction: Both visual and audible
 Door lock: No
 Number of drawers/baskets (Stck): 4
 Number of freezing flaps (Stck): 0
 EAN code: 4242005321377
 Brand: Bosch
 Product name / Commercial code: GSN36VLFPG
 Product category: Upright freezer
 Included accessories: 2 x cold accumulator, 1 x ice cube tray



Series 4, Free-standing freezer, 186 x 60 cm, Stainless steel look GSN36VLFPG

This energy efficient freezer with 4 transparent freezer drawers: provides ample room and a good overview

Functions

- NO_FROST_NEU_BL, never have to defrost ever again

Design features

- Stainless steel look doors and Pearl grey (VZF 07127) side panels
- Aluminium Vertical door handle
- LED electronic control

Food freshness system

- Easy Access open shelving zone - store and access food easily with our conveniently open freezer shelves

Dimension and installation

- Right hinged door, door reversible
- Dimensions: 186 cm H x 60 cm W x 65 cm D
- Height adjustable front feet
- Door opening: No side clearance needed at all. Full access to all drawers, door opening angle 90°.
- Transportation handles
- 220 - 240 V

Key features - Freezer section

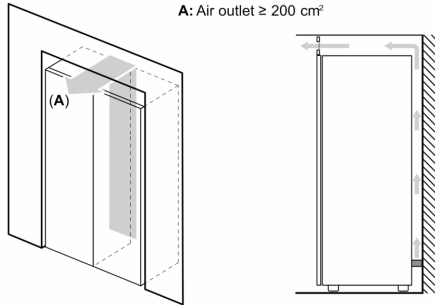
- Freezer malfunction warning signal: optical and acoustical warning system
- Freshsense - Constant temperature control by intelligent sensor technology
- SuperFreeze function with automatic deactivation
- MultiAirflow system - improves circulation of air around the fridge
- 1 ice cube tray
- Vario Zone - removable safety glass shelves for extra space!
- 4 transparent freezer drawers, 2 BigBox
- cold accumulator, ice cube tray
- Based on the results of the standard 24-hour test. Actual consumption depends on usage/position of the appliance.
- To achieve the declared energy consumption, the attached distanceholders have to be used. As a result, the appliance depth increases by about 3.5 cm. The appliance used without the distance holder is fully functional, but has a slightly higher energy consumption.

Dimension and installation

Performance and Consumption

- EU19_EEK_D: F
- Total Volume : 242 l
- Net Freezer Volume : 242 l
- Freezing capacity 24h : 19 kg
- Annual Energy Consumption: 294 kWh/a
- Climate Class: SN-T
- EU19_Fast freezer facility_D
- Noise Level : 39 dB , EU19_Noise emission class_D: C
- Temperature rise time : EU19_Temperature rise time_D: 9 H

Series 4, Free-standing freezer, 186 x 60 cm, Stainless steel look GSN36VLFPG



	a	b	c	d	e	f
KSW36, GSD36	187					
KSV36, KSF36, GSN36, GSV36	186					
KSV33, GSN33, GSV33	176	60	65	58	60	119.5
KSV29, GSN29, GSV29	161					
GSV24	146					
GSN51	161					
GSN54	176	70	78	70	70	142
GSN58	191					

a Height
 b Width
 c Depth with closed door w/o handle and w/o distance part
 d Depth of cabinet w/o distance part
 e Width with open door w/o handle
 f Depth with open door w/o handle w/o distance part

measurements in cm

