

**iQ300, Free-standing freezer, 186 x 60 cm, White  
GS36NVWFV**



2 x cold accumulator, 1 x ice cube tray	
KS36ZAW00	Connection set white
KS39ZAW00	Connection set white

Freezer with innovative noFrost technology, no more defrosting.

- ✓ noFrost – Never defrost your freezer again.
- ✓ varioZone – easily arrange drawers and glass shelves to bring flexibility to your freezer space.
- ✓ multiAirflow: consistent cooling for longer freshness.

Energy Efficiency Class: ..... F  
 Average annual energy consumption in kilowatt hour per year (kWh/a): ..... 294 kWh/annum  
 Sum of volume of frozen compartments: ..... 242 l  
 Airborne acoustical noise emissions : ..... 39 dB(A) re 1pW  
 Airborne acoustical noise emission class: ..... C  
 Thermometer freeze section: ..... Digital  
 Light: ..... No  
 Product category: ..... Upright freezer  
 Built-in / Free-standing: ..... Freestanding  
 Door panel options: ..... Not possible  
 Frost free system: ..... Fridge and freezer  
 Height of the appliance: ..... 1860 mm  
 Width of the appliance: ..... 600 mm  
 Dimensions: ..... 650 mm  
 Dimensions of the packed product (HxWxD): . 1930 x 660 x 770 mm  
 Weight: ..... 76.2 kg  
 Gross weight: ..... 81.9 kg  
 Fuse protection: ..... 10 A  
 Frequency: ..... 50 Hz  
 Length electrical supply cord: ..... 230.0 cm  
 Door opening: ..... Right reversible  
 Color / Material body: ..... White  
 Defrost process: ..... Automatic  
 Warning signal / malfunction: ..... Both visual and audible  
 Door lock: ..... No  
 Number of drawers/baskets (Stck): ..... 5  
 Number of freezing flaps (Stck): ..... 2  
 EAN code: ..... 4242003868089  
 Brand: ..... Siemens  
 Product name / Commercial code: ..... GS36NVWFV  
 Product category: ..... Upright freezer  
 Included accessories: ..... 2 x cold accumulator, 1 x ice cube tray



# iQ300, Free-standing freezer, 186 x 60 cm, White

## GS36NVWFV

### Functions

- White doors and white side panels
- Plastic Vertical door handle

### Design features

- NO\_FROST\_NEU\_BL, never have to defrost ever again
- Electronic control (LED chain)
- Freezer malfunction warning signal: Optical and acoustic malfunction alarm system
- vitaControl - constant temperature by intelligent sensor - Constant temperature control by intelligent sensor technology
- SuperFreeze function with automatic deactivation

### Food freshness system

- multiAirflow cooling - improves circulation of air around the fridge
- Vario Zone - removable safety glass shelves for extra space!
- 5 transparent freezer drawers, 2 bigbox
- 1 ice cube tray

### Dimension and installation

- Dimensions: 186 cm H x 60 cm W x 65 cm D

### Key features - Fridge section

- Right hinged door, reversible door
- Height adjustable front feet
- Door opening: No side clearance needed at all. Full access to all drawers, door opening angle 90°.
- 220 - 240 V

### Key features - Freezer section

- cold accumulator, ice cube tray

### Country Specific Options

- Based on the results of the standard 24-hour test. Actual consumption depends on usage/position of the appliance.
- To achieve the declared energy consumption, the attached distanceholders have to be used. As a result, the appliance depth increases by about 3.5 cm. The appliance used without the distance holder is fully functional, but has a slightly higher energy consumption.

### Included accessories

### Design features

### Dimension and installation

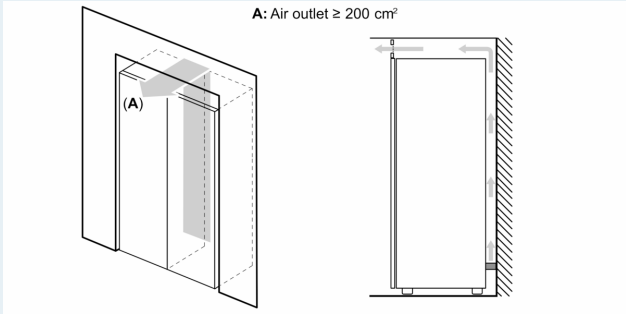
### Additional features

### Performance and Consumption

- EU19\_EEK\_D: F
- Total Volume : 242 l
- Net Fridge Volume : 0 l
- Net Freezer Volume : 242 l
- Freezing capacity 24h : 19 kg
- Annual Energy Consumption: 294 kWh/a
- Climate Class: SN-T

- Noise Level : 39 dB , EU19\_Noise emission class\_D: C
- Temperature rise time : EU19\_Temperature rise time\_D: 9 H

iQ300, Free-standing freezer, 186 x 60 cm, White  
GS36NVWFV



	a	b	c	d	e	f
KSW36, GSD36	187					
KSV36, KSF36, GSN36, GSV36	186					
KSV33, GSN33, GSV33	176	60	65	58	60	119.5
KSV29, GSN29, GSV29	161					
GSV24	146					
GSN51	161					
GSN54	176	70	78	70	70	142
GSN58	191					

a Height  
 b Width  
 c Depth with closed door w/o handle and w/o distance part  
 d Depth of cabinet w/o distance part  
 e Width with open door w/o handle  
 f Depth with open door w/o handle w/o distance part  
 measurements in cm

