

iQ300, Free-standing freezer, 186 x 60 cm, Inox-easyclean GS36NVIEV



- ✓ noFrost – Never defrost your freezer again.
- ✓ varioZone – easily arrange drawers and glass shelves to bring flexibility to your freezer space.
- ✓ multiAirflow: consistent cooling for longer freshness.
- ✓ Intelligent Inverter Compressor – Better temperature control and efficient performance.

Features

Technical Data

| | |
|--|---|
| Energy Efficiency Class: | E |
| Average annual energy consumption in kilowatt hour per year (kWh/a): | 234 kWh/annum |
| Sum of volume of frozen compartments: | 242 l |
| Airborne acoustical noise emissions : | 39 dB(A) re 1 pW |
| Airborne acoustical noise emission class: | C |
| Thermometer freeze section: | Digital |
| Light: | No |
| Product category: | Upright freezer |
| Built-in / Free-standing: | Freestanding |
| Door panel options: | Not possible |
| Frost free system: | Fridge and freezer |
| Height of the appliance: | 1860 mm |
| Width of the appliance: | 600 mm |
| Dimensions: | 650 mm |
| Dimensions of the packed product (HxWxD): . | 1925 x 660 x 765 mm |
| Weight: | 71.4 kg |
| Gross weight: | 77.1 kg |
| Fuse protection: | 10 A |
| Frequency: | 50 Hz |
| Length electrical supply cord: | 230.0 cm |
| Door opening: | Right reversible |
| Defrost process: | Automatic |
| Warning signal / malfunction: | Both visual and audible |
| Door lock: | No |
| Number of drawers/baskets (Stck): | 5 |
| Number of freezing flaps (Stck): | 2 |
| EAN code: | 4242003924860 |
| Brand: | Siemens |
| Product name / Commercial code: | GS36NVIEV |
| Product category: | Upright freezer |
| Included accessories: | 2 x cold accumulator, 1 x ice cube tray |



Included accessories

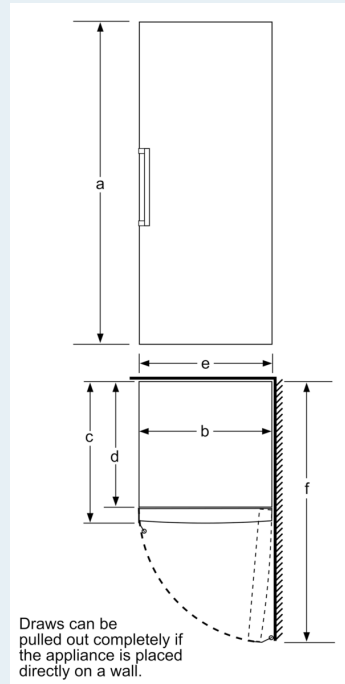
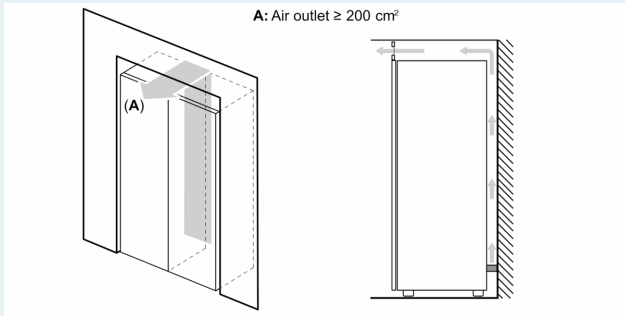
2 x cold accumulator, 1 x ice cube tray

Optional accessories

KS39ZAL00 Connection set inox

iQ300, Free-standing freezer, 186 x 60 cm, Inox-easyclean GS36NVIEV

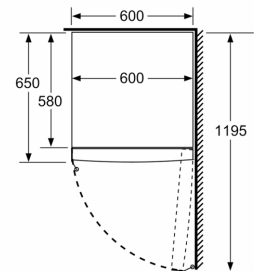
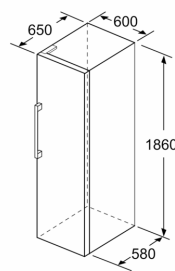
Dimensioned drawings



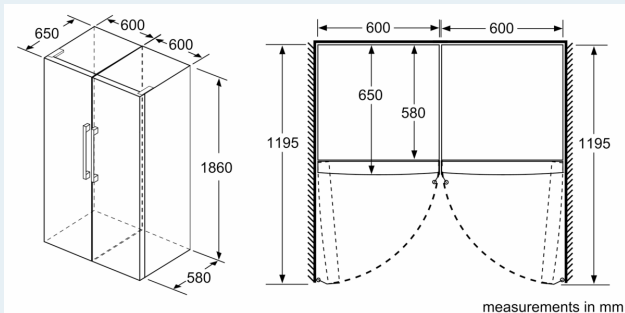
| | a | b | c | d | e | f |
|----------------------------|-----|----|----|----|----|-------|
| KSW36, GSD36 | 187 | | | | | |
| KSV36, KSF36, GSN36, GSV36 | 186 | | | | | |
| KSV33, GSN33, GSV33 | 176 | 60 | 65 | 58 | 60 | 119.5 |
| KSV29, GSN29, GSV29 | 161 | | | | | |
| GSV24 | 146 | | | | | |
| GSN51 | 161 | | | | | |
| GSN54 | 176 | 70 | 78 | 70 | 70 | 142 |
| GSN58 | 191 | | | | | |

- a Height
- b Width
- c Depth with closed door w/o handle and w/o distance part
- d Depth of cabinet w/o distance part
- e Width with open door w/o handle
- f Depth with open door w/o handle w/o distance part

measurements in cm



measurements in mm



measurements in mm