

iQ700, 177.2 x 55.8 cm, soft close flat hinge
GI81NHCEO



1 x berry tray, 1 x ice cube tray	
KS0BZS00	Heavy-duty hinge support

very energy efficient freezer with electronic temperature control.

- ✓ noFrost – Never defrost your freezer again.
- ✓ Door closes automatically and softly when it is open at a 20° angle or less - Soft closing.
- ✓ varioZone – easily arrange drawers and glass shelves to bring flexibility to your freezer space.
- ✓ Electronic temperature control: set the target temperature clearly and easily.
- ✓ Intelligent Inverter Compressor provides better temperature control and efficient performance.

Energy Efficiency Class: E

Average annual energy consumption in kilowatt hour per year (kWh/a): 235 kWh/annum
 Sum of volume of frozen compartments: 212 l
 Airborne acoustical noise emissions : 35 dB(A) re 1pW
 Airborne acoustical noise emission class: B
 Thermometer freeze section: Digital
 Light: No
 Product category: Upright freezer
 Built-in / Free-standing: Built-in
 Door panel options: Not possible
 Frost free system: Fridge and freezer
 Height of the appliance: 1772 mm
 Width of the appliance: 558 mm
 Dimensions: 545 mm
 Required niche size for installation (HxWxD): . 1775 x 560 x 550 mm
 Dimensions of the packed product (HxWxD): . 1840 x 610 x 640 mm
 Weight: 68.0 kg
 Gross weight: 72.7 kg
 Connection Rating: 120 W
 Fuse protection: 10 A
 Frequency: 50 Hz
 Length electrical supply cord: 230.0 cm
 Door opening: Left reversible
 Defrost: Automatic
 Warning signal / malfunction: Both visual and audible
 Door lock: No
 Number of drawers/baskets (Stck): 5
 Number of freezing flaps (Stck): 2
 EAN code: 4242003878552
 Brand: Siemens
 Product name / Commercial code: GI81NHCEO
 Product category: Upright freezer
 Included accessories: 1 x berry tray, 1 x ice cube tray



iQ700, 177.2 x 55.8 cm, soft close flat hinge GI81NHCEO

- GI81NHCEO
- No Frost, Built-in tall freezer
- Fixed hinge

Performance and Consumption

Functions

- Fixed hinge

Design features

- Home Connect: Remote Monitoring and Control
- NO_FROST_NEU_BL, never have to defrost ever again
- Electronic control (LED display)
- SuperFreeze function with automatic deactivation
- VitaControl - constant temperature by intelligent sensor technology - Constant temperature control by intelligent sensor technology
- Freezer malfunction warning signal: optical, acoustical

Food freshness system

- 5 transparent freezer drawers, 2 bigbox
- 2 freezer flaps with glass shelves
- Vario Zone - removable safety glass shelves for extra space!

Dimension and installation

- Dimensions: 177.2 cm H x 55.8 cm W x 54.5 cm D

Key features - Fridge section

- Left-mounted, reversible door
- Niche Dimensions: 177.5 cm H x 56 cm W x 55 cm D

Key features - Freezer section

- berry tray, ice cube tray

Country Specific Options

- Based on the results of the standard 24-hour test. Actual consumption depends on usage/position of the appliance.

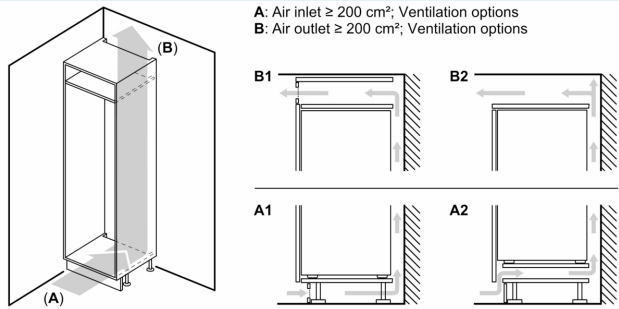
Additional features

Design features

Dimension and installation

- EU19_EEK_D: E
- Total Volume : 212 l
- Net Fridge Volume : 0 l
- Net Freezer Volume : 212 l
- Freezing capacity 24h : 14 kg
- Annual Energy Consumption: 235 kWh/a
- Climate Class: SN-T
- EU19_Fast freezer facility_D
- Noise Level : 35 dB , EU19_Noise emission class_D: B
- Temperature rise time : EU19_Temperature rise time_D: 9 H

iQ700, 177.2 x 55.8 cm, soft close
flat hinge
GI81NHCE0

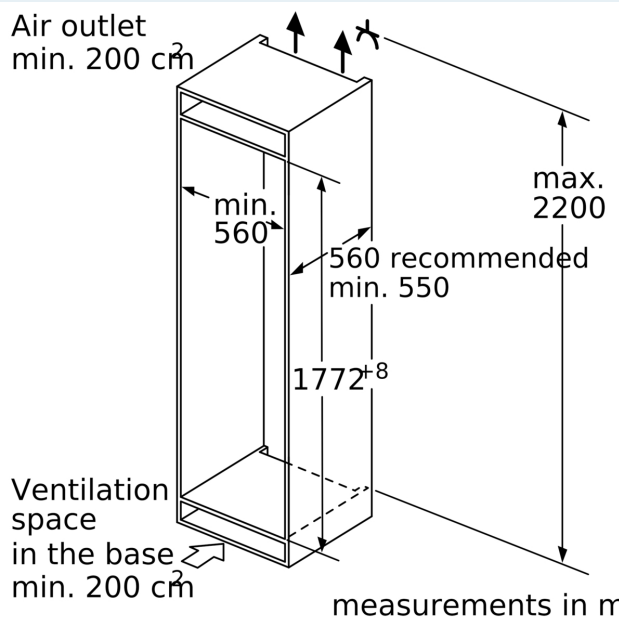
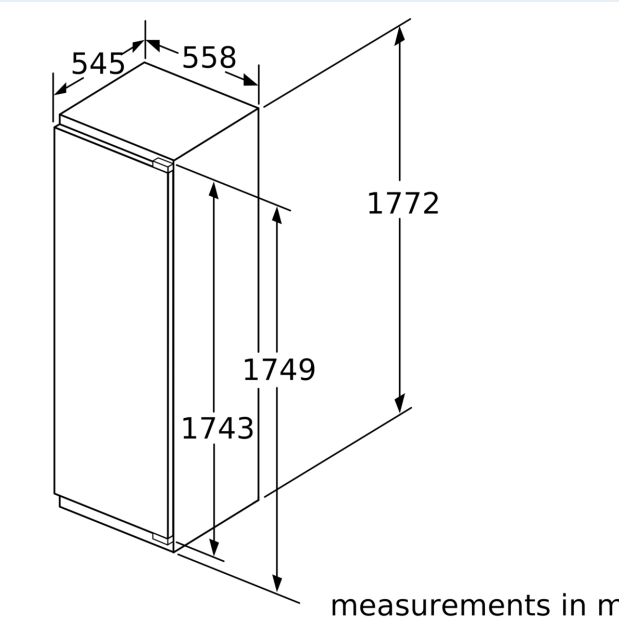


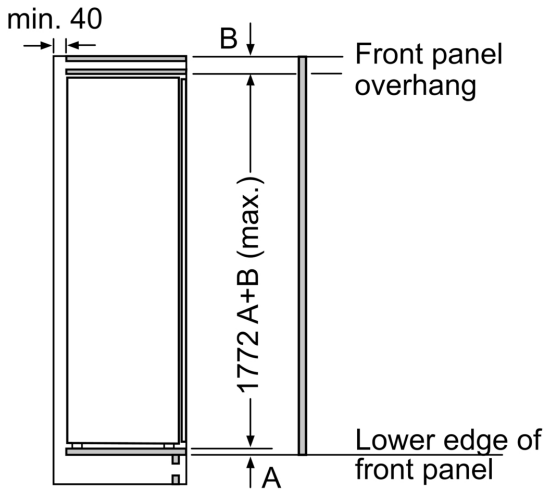
Maximal permissible weight of the unit fronts

Fitted unit fronts that exceed the permissible weight may cause damage and result in functional impairment of the hinges

Δ Weight
A: Appliance door height including hinges in mm
B: Undamped hinge, unit front in kg
C: Damped hinge, unit front in kg
D: Additional possible load in kg with heavy load kit

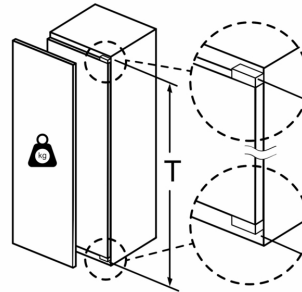
A	B	C	D
1500-1750	22	22	B+5 / C+5
720-1400	19	19	
A1	15	19	
A2	15	19	





measurements in mm

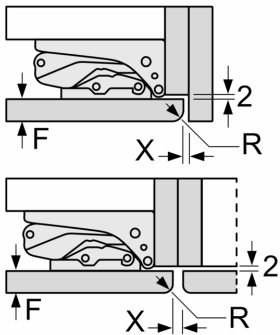
Maximal permissible weight of the unit fronts



Fitted kitchen unit doors that exceed the permissible weight may cause damage and result in functional impairment of the hinges.

T: Includes height of appliance door Hinges in mm:	undamped hinge, Door in kg:	damped hinge, Door in kg:
1500-1750	22	22

measurements in mm
Recommended gap dimensions for flat hinges



F	R	X
16-19	0-3	2.5
20	0-1	3
	2-3	2.5
21	0-1	3
	2-3	2.5
22	0	4
	1	3.5
	2-3	3

The gap dimensions recommended in the table must be adhered to in order to ensure that appliance doors do not collide with anything when they are opened, and to avoid causing damage to kitchen units.