

**iQ500, Built-in freezer, 71.2 x 55.8 cm,
flat hinge
GI11VAF30**



built-in freezer with superFreezing and A++; an especially efficient way to freeze large amounts of food quickly.

- ✓ Less frost formation and faster defrosting with lowFrost.
- ✓ superFreezing - Sensors automatically reduce the temperature for a set period of time, to quickly freeze newly added food items.
- ✓ 3 transparent freezer drawers provide plenty of space and an optimum view.
- ✓ freshSense: sensors that keep the inside temperature steady for longer food freshness

Features

Technical Data

Thermometer freeze section : None
 Light : No
 Product category : Upright freezer
 Construction type : Built-in
 Door panel options : Not possible
 Frost free system : No
 Height of the product : 712 mm
 Width of the appliance : 558 mm
 Depth of the product : 545 mm
 Dimensions of the packed product (HxWxD) : 790 x 640 x 620 mm
 Net weight : 37.584 kg
 Gross weight : 40.0 kg
 Connection rating : 90 W
 Fuse protection : 10 A
 Frequency : 50 Hz
 Approval certificates : CE, VDE
 Length of electrical supply cord : 230 cm
 Door hinge : Right reversible
 Storage Period in Event of Power Failure (h) : 21 h
 Defrost process : manual
 Warning signal / malfunction : visual and audible
 Lockable door : No
 Number of drawers/baskets (Stck) : 3
 Number of freezing flaps (Stck) : 0
 EAN code : 4242003747209
 Brand : Siemens
 Product name / Commercial code : GI11VAF30
 Product category : Upright freezer
 Energy consumption annual - NEW (2010/30/EC) : 144.00 kWh/annum
 Freezer Net capacity - NEW (2010/30/EC) : 72 l
 Freezing capacity) - NEW (2010/30/EC) : 8 kg/24h
 Climate class : SN-T
 Noise level : 36 dB(A) re 1 pW
 Installation type : Full-integrated



iQ500, Built-in freezer, 71.2 x 55.8 cm, flat hinge GI11VAF30

Features

Performance and Consumption

- Energy consumption: 144 kWh kWh/yr.
- Total net capacity: 72 l litres
- Noise level dB(A) re 1 pW: 36

Design features

- Right hinged door, reversible door
- Electronic control (LED chain)

Food freshness system

- VitaControl - constant temperature by intelligent sensor technology - Constant temperature control by intelligent sensor technology
- 1 compressor/1 cooling circuit

Key features - Freezer section

- lowFrost - less ice creation and therefore quicker defrosting - less ice build up, faster defrosting
- **** freezer (-18°C and below)
- 4 star freezer rating
- 3 freezer drawers
- SuperFreeze function with automatic deactivation
- Freezing capacity in 24 hours: 8 kg
- Maximum freezer storage time in power failure: 21 hours

Functions

- Freezer malfunction warning signal: optical, acoustical

Accessories

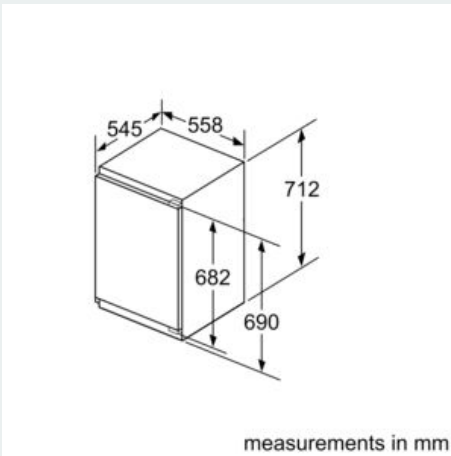
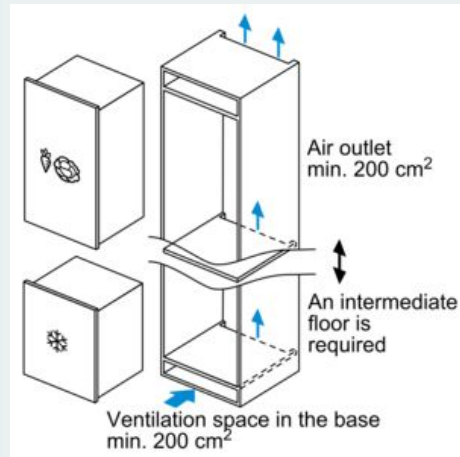
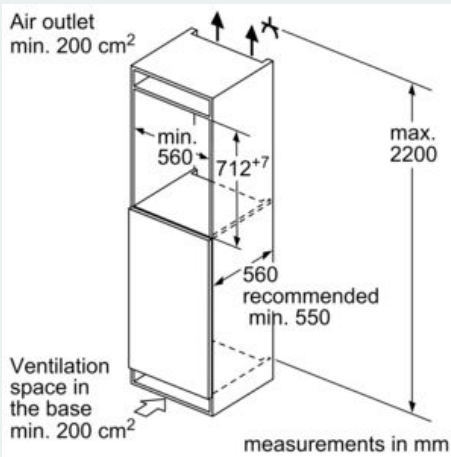
- cold accumulator, ice cube tray

Dimension and installation

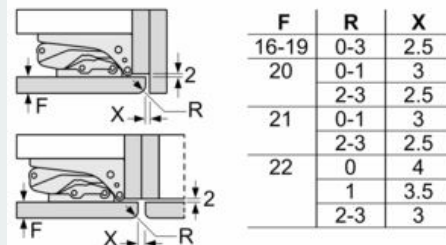
- Climate class SN-T (suitable for ambient temperatures between 10 to 43°C)
- Connection value 90 W
- 220 - 240 V
- Dimensions: 71.2 cm H x 55.8 cm W x 54.5 cm D
- Niche Dimensions: 72 cm H x 56 cm W x 55 cm D

**iQ500, Built-in freezer, 71.2 x 55.8 cm,
flat hinge
GI11VAF30**

Dimensioned drawings



measurements in mm
Recommended gap dimensions for flat hinges



The gap dimensions recommended in the table must be adhered to in order to ensure that appliance doors do not collide with anything when they are opened, and to avoid causing damage to kitchen units.

