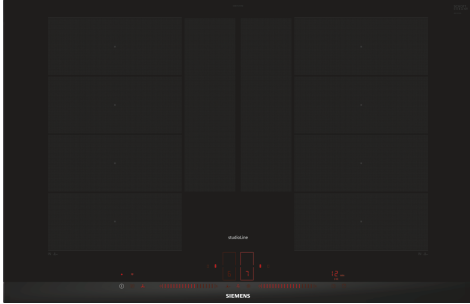


iQ700, Induction hob, 80 cm, Black, EX877LYV5E



Optional accessories

HZ9SE040 4 pieces Set, HZ9SE060 6 pieces Set, HZ9ES100 Espresso maker 4 cups, HZ9FE280 Iron pan Ø 18 / 28 cm, HZ9SE030 Set of 2 pots and 1 pan, HZ390230 System pan diameter 21cm, HZ390250 System pan diameter 28 cm, HZ390512 Teppan Yaki (large), HZ390522 Griddle Plate, HZ394301 Connecting strip, HZ390011 Stainless Steel roaster with glas lid, HZ390012 Steaming Rack for Stainless Steel roaste, HZ390210 System pan diameter 15 cm, HZ390220 System pan diameter 19 cm

Siemens flexInduction cooktop is designed for greater flexibility when cooking

- ✓ flexInduction Plus – Smart, extendable cooking zone adapts to your cookware
- ✓ Dual light slider – Just touch and slide to control your hob.
- ✓ fryingSensor Plus – No more burning or scorching your meals.
- ✓ powerMove Plus enables intuitive control thanks to three heating zones with different temperatures, just by moving the pan
- ✓ flexMotion remembers the heat settings for individual pans - flexMotion

Features

Technical Data

Product name/family: Cooking zone ceramic
 Design: Built-in
 Source of energy: Electric
 Number of cooking zones: 4
 Min. required niche size for installation (HxWxD):51 x 750-780 x 490-500 mm
 Width of the appliance: 812 mm
 Dimensions: 51 x 812 x 520 mm
 Dimensions of the packed product (HxWxD): ... 126 x 953 x 608 mm
 Weight: 14.3 kg
 Gross weight: 18.1 kg
 Residual heat indicator: Separate
 Location of control panel: Front
 Basic surface material: Ceramic
 Color of surface: Black
 Length of electrical supply cord: 110.0 cm
 EAN code: 4242003838709
 Nominal power: 220-240 V
 Frequency: 50; 60 Hz



iQ700, Induction hob, 80 cm, Black, EX877LYV5E

Features

Design

- studioLine, studioLine black anodised
- 80 cm: space for 4 pots or pans.

Flexibility of cooking zones

- Cooking zones will be automatically joined or separated based on the shape and size of the cookware placed.
- 2 extended flexInduction zones: use cookware of any shape or size anywhere within the 40cm long zone or even place it laterally.
- Cooking zone front left: 200 mm, 230 mm, 2.2 KW (max. power 3.7 KW)
- Cooking zone rear left: 200 mm, 230 mm, 2.2 KW (max. power 3.7 KW)
- Cooking zone rear right: 200 mm, 230 mm, 2.2 KW (max power 3.7 KW)
- Cooking zone front right: 200 mm, 230 mm, 2.2 KW (max. power 3.7 KW)

Usage convenience

- Dual lightSlider: directly control the power on the two illuminated touch bars (invisible when switched off).
- 17 power levels: precisely adapt the heat with 17 power levels (9 main levels and 8 intermediate levels).
- Keep warm function: Keep Warm Function: keep dishes warm at preset low power level.
- Timer for all zones
- : switches off the cooking zone at the end of the time set (e.g. for boiled eggs).
- Acoustic signal
- : an alarm sounds at the end of the time set (e.g. for pasta).
- Count up timer
- : shows how much time has passed since starting the timer (e.g. for potatoes).

Time saving & efficiency

- Power boost setting
- : boil water faster thanks to 50% more energy than at the highest standard level.
- panBoost: heat up pans faster than at the highest standard level while protecting the pan coating.
- powerMove plus: increase or decrease the power level simply by moving the pot forwards or backwards.
- flexMotion: when moving a pot to a different cooking zone, this feature transfers all previous settings to the new zone at the touch of a button.
- quickStart function: when switching on, the hob automatically selects the cooking zone with cookware (when placed on a zone whilst the hob is off).
- reStart function: in case of unintentional switch-off, this feature restores all previous settings by switching on the hob again within 4 seconds.

Cooking assistance

- fryingSensor plus with 5 temperature settings: prevents overcooking

with the automatic temperature regulation of the integrated sensor.

- Dish assistant: easily find the right temperature setting for a certain dish via the home connect app.

Connectivity

- Home Connect - enables Remote Monitoring no matter where you are, with the easy-to-use Home Connect App: check if the hob is switched off even when not at home, and find recipes or additional functions in the Home Connect app.
- cookConnect - hood control (with Wi-Fi enabled hood): automatically activates the hood when cooking, thanks to the WiFi connection of hob and suitable hood.

Safety

- 2 stage residual heat indicators: indicates which cooking zones are still hot or warm.
- Control panel lock: prevent unintended activation of the hob.
- Control panel pause: wipe overboiled liquids without unintentionally changing settings (blocking all touch buttons for 30 seconds).
- Main on/off switch: switch off all cooking zones at the touch of a button.
- Automatic safety switch off: for safety reasons, heating stops after a preset time if not used (possible to customise).
- Energy Consumption Display: shows the electricity consumption of the last cooking process.

Installation

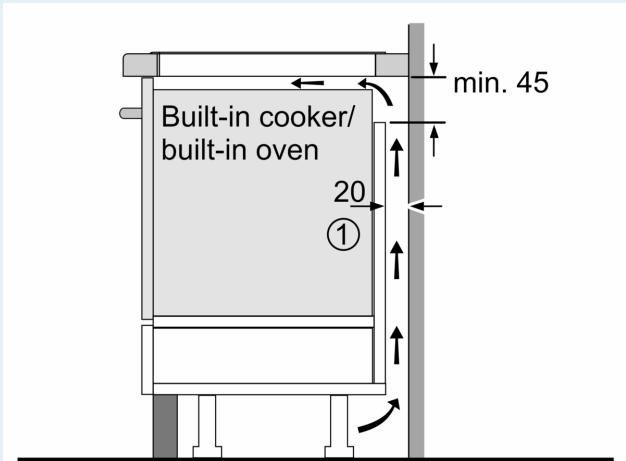
- Dimensions of the product (HxWxD mm): 51 x 812 x 520
- Required niche size for installation (HxWxD mm) : 51 x 750 x (490 - 500)
- Min. worktop thickness: 16 mm
- Connected load: 7.4 KW
- Connection current management (20, 16, 13, 10 Amps options): limit the maximum power if needed (depends on fuse protection of electric installation).
- Power cord: 1.1 m, Cable included in packaging

Accessories

- adjustment strip 750 - 780 mm included

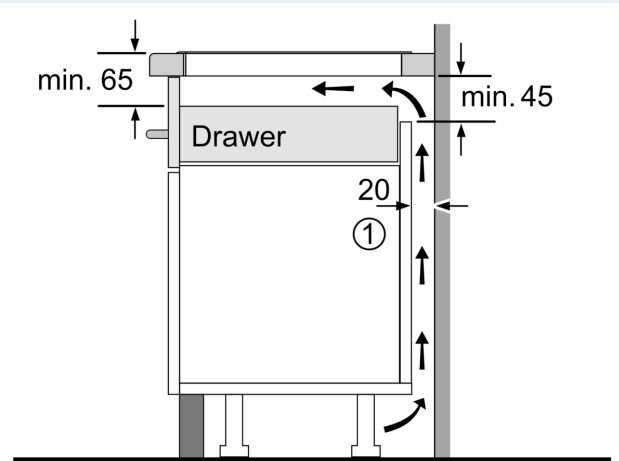
iQ700, Induction hob, 80 cm,
Black,
EX877LYV5E

Dimensioned drawings



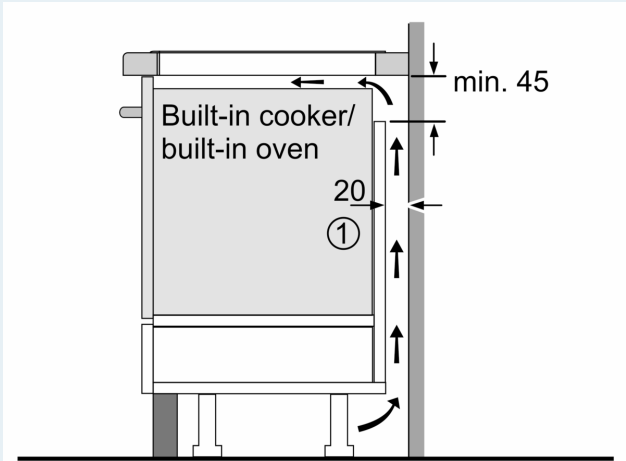
① Ventilation gap must be present

All measurements in mm



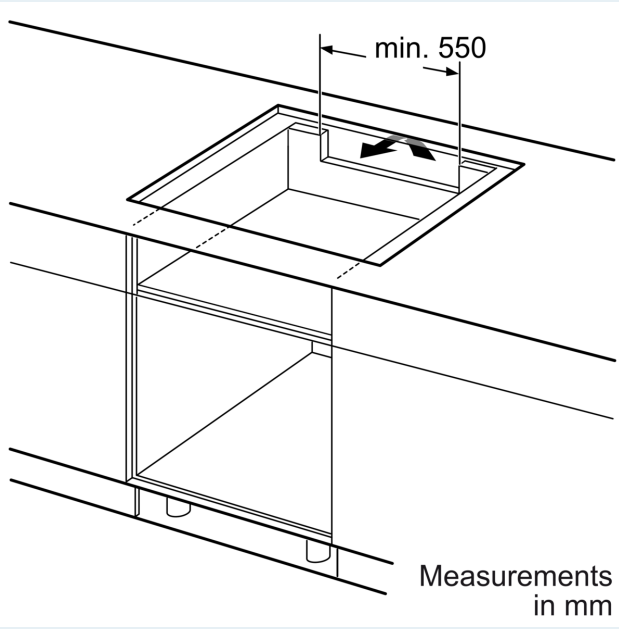
① Ventilation gap must be present.

Measurements in mm



① Ventilation gap must be present

All measurements in mm



Measurements in mm