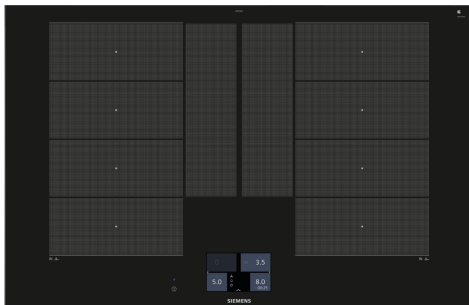


iQ700, Induction hob, 80 cm, Black, EX875KYV1E



- ✓ flexInduction Plus – Smart, extendable cooking zone adapts to your cookware
- ✓ For easy operation and good readability from any perspective - TFT Touchdisplay.
- ✓ Home Connect: integrate your hob into your intelligent kitchen.
- ✓ fryingSensor Plus – No more burning or scorching your meals.
- ✓ powerMove Plus enables intuitive control thanks to three heating zones with different temperatures, just by moving the pan

Features

Technical Data

Product name/family: Cooking zone ceramic
 Design: Built-in
 Source of energy: Electric
 Number of cooking zones: 4
 Min. required niche size for installation (HxWxD):51 x 750-780 x 490-500 mm
 Width of the appliance: 812 mm
 Dimensions: 51 x 812 x 520 mm
 Dimensions of the packed product (HxWxD): ... 126 x 953 x 608 mm
 Weight: 15.0 kg
 Gross weight: 18.7 kg
 Residual heat indicator: Separate
 Location of control panel: Front
 Color of surface: Black, Alu, brushed
 Length of electrical supply cord: 110.0 cm
 EAN code: 4242003927212
 Nominal power: 220-240 V
 Frequency: 50; 60 Hz

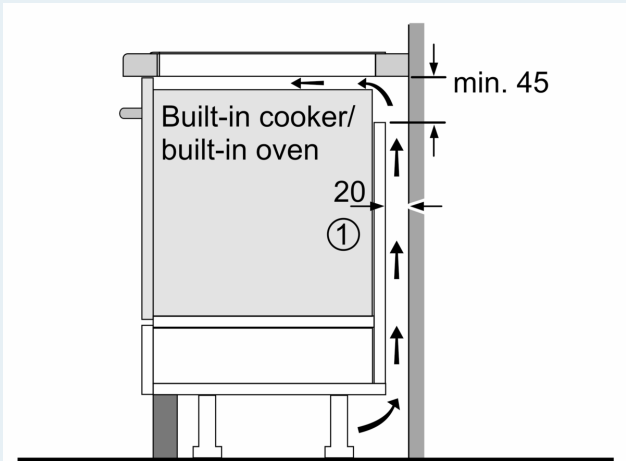


Optional accessories

HZ9SE030 Set of 2 pots and 1 pan, HZ9SE040 4 pieces Set, HZ9SE060 6 pieces Set, HZ390011 Stainless Steel roaster with glass lid, HZ390012 Steaming Rack for Stainless Steel roaster, HZ390210 System pan diameter 15 cm, HZ390220 System pan diameter 19 cm, HZ390230 System pan diameter 21cm, HZ390250 System pan diameter 28 cm, HZ390512 Teppan Yaki (large), HZ390522 Griddle Plate, HZ394301 Connecting strip, HZ9ES100 Espresso maker 4 cups, HZ9FE280 Iron pan Ø 18 / 28 cm

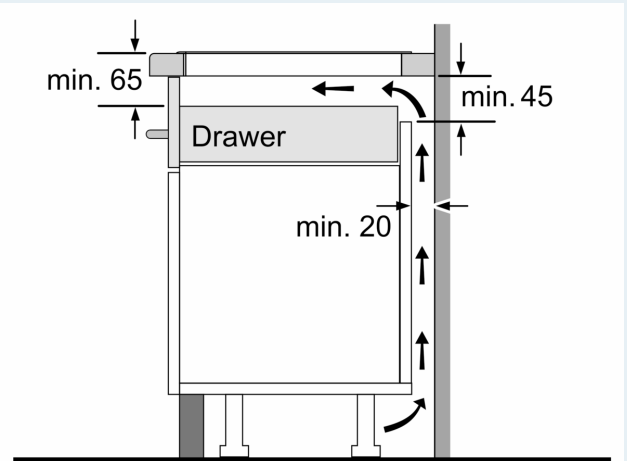
iQ700, Induction hob, 80 cm,
Black,
EX875KYV1E

Dimensioned drawings

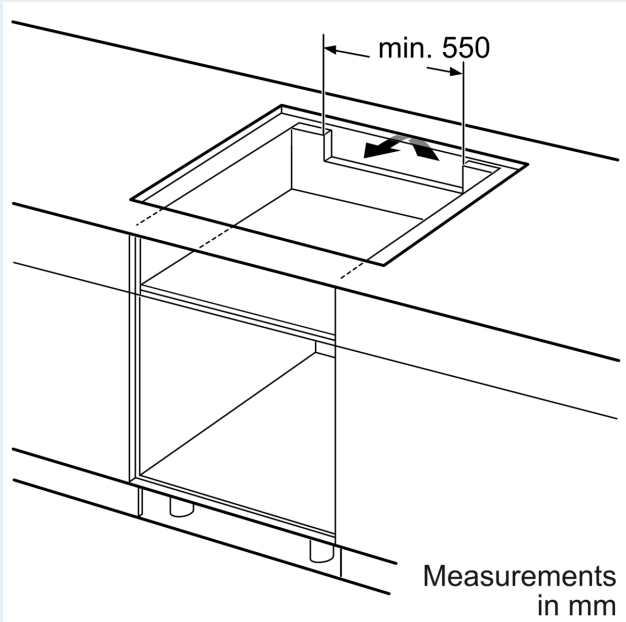


①
Ventilation gap must
be present

All measurements in mm



Measurements in mm



Measurements
in mm