

**iQ700, Induction hob, 90 cm,
Black,
EX275FXB1E**



Induction hob with innovative panorama format for greater flexibility when cooking.

- ✓ flexInduction – Smart cooking zone that adapts to your cookware.
- ✓ Allows to control the temperature by entering it directly or by moving the slider with a single finger - touchSlider Control.
- ✓ powerBoost – Increases the power of an induction zone by up to 50%.
- ✓ Timer with cooking zone shut-off function
- ✓ The child safety lock safely prevents unintentional switch-on.

HZ9SE060 6 pieces Set, HZ9TY010 Teppan Yaki, HZ9FF040 Flex Pan set, 4 pcs., HZ9SE030 Set of 2 pots and 1 pan, HZ9SE040 4 pieces Set, HZ9FE280 Iron pan Ø 18 / 28 cm, HZ390011 Stainless Steel roaster with glas lid, HZ390012 Steaming Rack for Stainless Steel roaste, HZ390090 Wok Set consisting of 3 Items, HZ390512 Teppan Yaki (large), HZ390522 Griddle Plate, HZ9ES100 Espresso maker 4 cups, HZ9FF010 Flex Pan, large, HZ9FF030 Flex Pan set, 3 pcs.

Product name/family: Cooking zone ceramic
 Built-in / Free-standing: Built-in
 Source of energy: Electric
 Number of cooking zones: 4
 Min. required niche size for installation (HxWxD):51 x 880-880 x 330-330 mm
 Width of the appliance: 912 mm
 Dimensions: 51x912x350 mm
 Dimensions of the packed product (HxWxD): . 126 x 1031 x 472 mm
 Weight: 13.4 kg
 Gross weight: 16.1 kg
 Residual heat indicator: Separate
 Location of control panel: Front
 Basic surface material: Ceramic
 Color of surface: Black, Alu, brushed
 Length electrical supply cord: 110.0 cm
 EAN code:4242003701218
 Nominal power:220-240 V
 Frequency: 60; 50 Hz



iQ700, Induction hob, 90 cm, Black, EX275FXB1E

Design

- Stainless Steel side trim with bevelled front edge
- 90 cm: space for 4 pots or pans.

Flexibility of cooking zones

- 2 flexInduction zones: use cookware of any shape or size anywhere within the 40cm long zone.
- Cooking zone front left: 210 mm, 200 mm, 2.2 KW (max. power 3.7 KW)
- Cooking zone rear left: 210 mm, 200 mm, 2.2 KW (max. power 3.7 KW)
- Cooking zone rear right: 210 mm, 200 mm, 2.2 KW (max power 3.7 KW)
- Cooking zone front right: 210 mm, 200 mm, 2.2 KW (max. power 3.7 KW)

Usage convenience

- touchSlider control: directly control the power with the imprinted touch bar.
- 17 power levels: precisely adapt the heat with 17 power levels (9 main levels and 8 intermediate levels).
- Timer for all zones
- : switches off the cooking zone at the end of the time set (e.g. for boiled eggs).
- Acoustic signal
- : an alarm sounds at the end of the time set (e.g. for pasta).

Time saving & efficiency

- Power boost setting
- : boil water faster thanks to 50% more energy than at the highest standard level.
- quickStart function: when switching on, the hob automatically selects the cooking zone with cookware (when placed on a zone whilst the hob is off).
- reStart function: in case of unintentional switch-off, this feature restores all previous settings by switching on the hob again within 4 seconds.

Safety

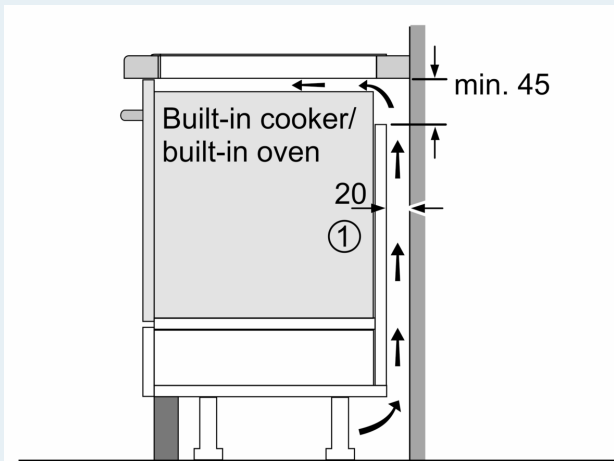
- 2 stage residual heat indicators: indicates which cooking zones are still hot or warm.
- Control panel lock: prevent unintended activation of the hob.
- Control panel pause: wipe overboiled liquids without unintentionally changing settings (blocking all touch buttons for 30 seconds).
- Main on/off switch: switch off all cooking zones at the touch of a button.
- Automatic safety switch off: for safety reasons, heating stops after a preset time if not used.
- Energy Consumption Display: shows the electricity consumption of the last cooking process.

Installation

- Dimensions of the product (HxWxD mm): 51 x 912 x 350
- Required niche size for installation (HxWxD mm) : 51 x 880 x (330 - 330)

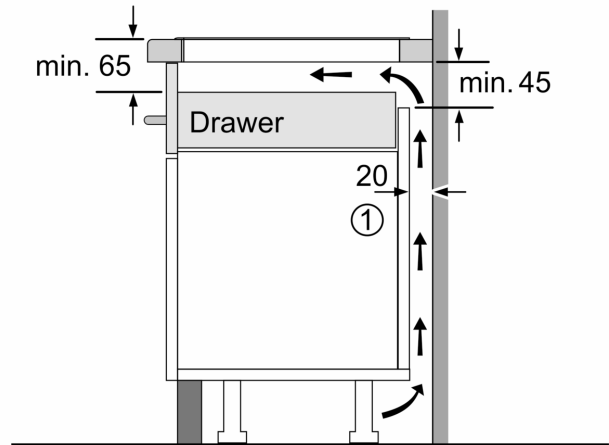
- Min. worktop thickness: 16 mm
- Connected load: 7.4 KW
- Connection current management (20, 16, 13, 10 Amps options): limit the maximum power if needed (depends on fuse protection of electric installation).
- Power cord: 1.1 m, Cable included in packaging

iQ700, Induction hob, 90 cm,
Black,
EX275FXB1E



① Ventilation gap must be present

All measurements in mm



① Ventilation gap must be present.

Measurements in mm

