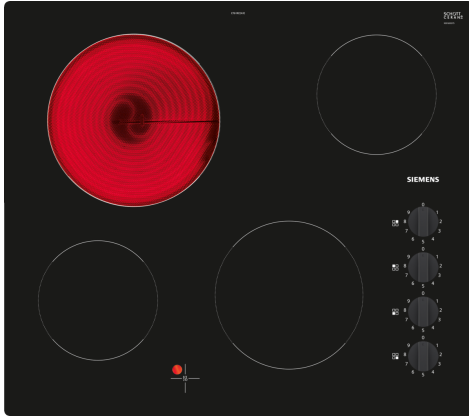


## iQ100, Electric hob, 60 cm, Black, ET61RCEA1E



### Optional accessories

HZ32WA00	Wireless food thermometer
HZ390090	Wok Set consisting of 3 Items
HZ9SE030	Set of 2 pots and 1 pan

The modern glass ceramic cooktop for more cooking pleasure and less cleaning effort.

### Features

#### Technical Data

Product name/family: ..... Cooking zone ceramic  
 Built-in / Free-standing: ..... Built-in  
 Source of energy: ..... Electric  
 Number of cooking zones: ..... 4  
 Min. required niche size for installation (HxWxD): ....46 x 560-560 x 490-500 mm  
 Width of the appliance: ..... 592 mm  
 Dimensions: .....46 x 592 x 522 mm  
 Dimensions of the packed product (HxWxD): ... 100 x 750 x 590 mm  
 Weight: ..... 7.5 kg  
 Gross weight: ..... 8.3 kg  
 Residual heat indicator: ..... Separate  
 Location of control panel: ..... Lateral  
 Basic surface material: ..... Ceramic  
 Color of surface: ..... Black  
 EAN code: .....4242003899489  
 Nominal power: ..... 220-240 V  
 Frequency: ..... 50; 60 Hz



## iQ100, Electric hob, 60 cm, Black, ET61RCEA1E

### Features

- 60 cm: space for 4 pots or pans.

#### Flexibility of cooking zones

- Cooking zone front left: 145 mm, 1.2 KW
- Cooking zone rear left: 210 mm, 2.2 KW
- Cooking zone rear right: 145 mm , 1.2 KW
- Cooking zone front right: 180 mm, 2 KW

#### Usage convenience

- Sword knob: control the power with mounted dials.
- 9 power levels: precisely adapt the heat with 9 power levels.

#### Design

- frameless design

#### Safety

- Residual heat indicators: indicates which cooking zones are still hot.

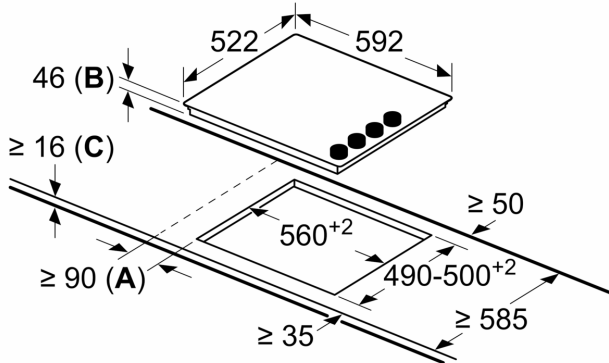
#### Installation

- Dimensions of the product (HxWxD mm): 46 x 592 x 522
- Required niche size for installation (HxWxD mm) : 46 x 560 x (490 - 500)
- Min. worktop thickness: 16 mm
- Connected load: 6.6 KW

iQ100, Electric hob, 60 cm, Black,  
ET61RCEA1E

Dimensioned drawings

measurements in mm



- A:** Minimum distance from the hob cut-out to the wall.
- B:** Recessed depth
- C:** With fitted oven underneath min. 20, possibly more; see space requirements for the oven.