

**iQ500, Modular Teppan Yaki, 40 cm**  
**ET475MY11E**



Very fast heating and great for flash-frying, the Teppan yaki is design for traditional Japanese cooking at home.

- ✓ 392 mm
- ✓ Front controls
- ✓ touchSlider operation
- ✓ Stainless Steel side trim with bevelled front edge
- ✓ Can be installed with other Siemens domino hobs

**Features**

**Technical Data**  
 Product name/family: .....Vario/Domino Teppan Yaki  
 Built-in / Free-standing: ..... Built-in  
 Source of energy: ..... Electric  
 Control panel: ..... Electronic  
 Grill grating material: ..... Not applicable  
 Min. required niche size for installation (HxWxD): ..... 90 x 360 x 490-500 mm  
 Width of the appliance: ..... 392 mm  
 Dimensions: ..... 90 x 392 x 520 mm  
 Dimensions of the packed product (HxWxD): ... 230 x 473 x 608 mm  
 Weight: ..... 11.0 kg  
 Gross weight: ..... 13.0 kg  
 Residual heat indicator: ..... Separate  
 Location of control panel: ..... Front  
 Basic surface material: ..... Not applicable  
 Color of surface: ..... Stainless steel, Stainless steel  
 Color of frame: ..... Stainless steel  
 Length electrical supply cord: ..... 100.0 cm  
 EAN code: ..... 4242003441862  
 Nominal power: ..... 220-240 V  
 Frequency: ..... 50; 60 Hz  
 Included accessories: ..... 2 x spatula

**Included accessories**

2 x spatula

**Optional accessories**

HZ394301 Connecting strip



## iQ500, Modular Teppan Yaki, 40 cm ET475MY11E

### Features

#### Design

- 392 mm
- Front controls
- touchSlider operation
- Stainless Steel side trim with bevelled front edge
- Can be installed with other Siemens domino hobs

#### Key Information

- Electronic control
- Electronic power level display, red
- Automatic safety switch off

#### Features

- 9 power levels
- Main on/off switch
- Timer
- 2 stage residual heat indicators

#### Performance/technical information

- 2 cooking zones

#### Standard accessories

- Includes spatula
- Removable ceramic black glass cover

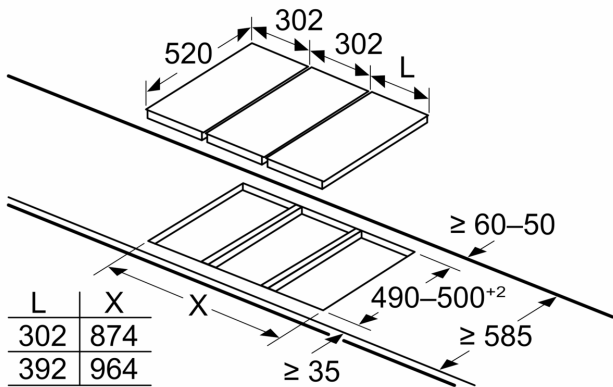
#### Accessories

- Connecting strip - HZ394301

iQ500, Modular Teppan Yaki, 40 cm  
ET475MY11E

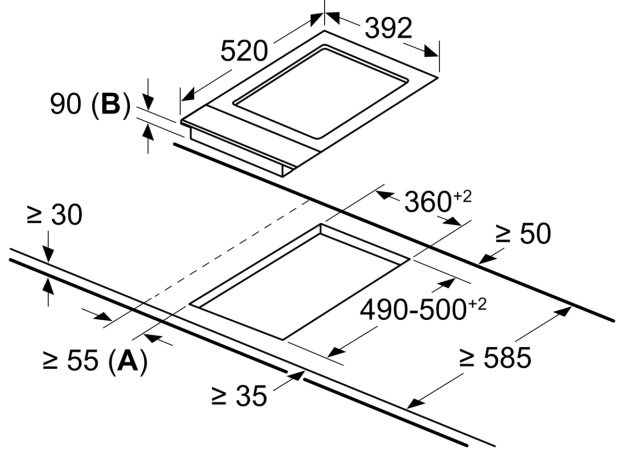
Dimensioned drawings

Measurements in mm



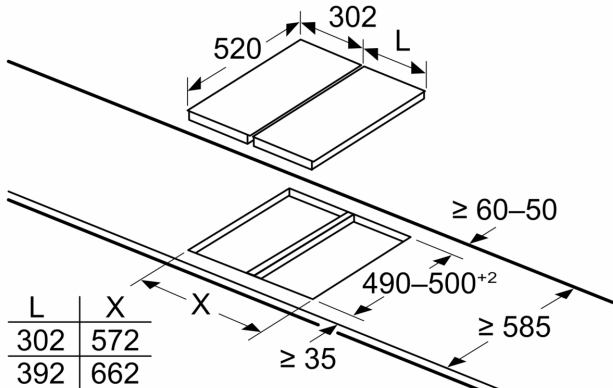
If two or more elements are installed right next to one another, one or several installation kits are required (2 elements 1 installation kit, 3 elements 2 installation kits, etc.)

measurements in mm



**A:** Minimum distance from the hob cut-out to the wall  
**B:** Maximum recessed depth

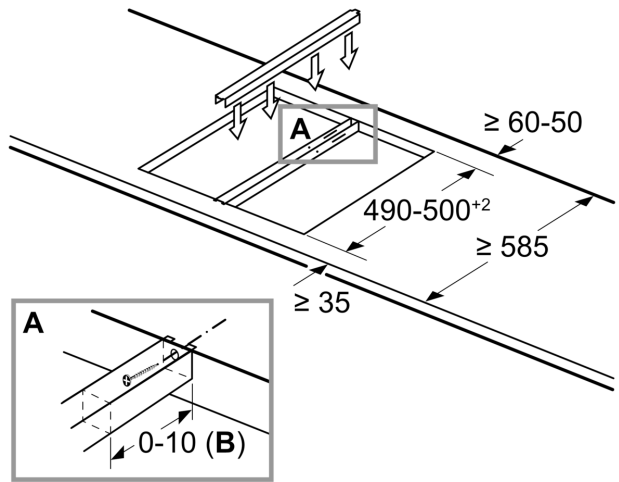
Measurements in mm



If two or more elements are installed right next to one another, one or several installation kits are required (2 elements 1 installation kit, 3 elements 2 installation kits, etc.)

measurements in mm

Assembly kit (HZ394301) for Domino

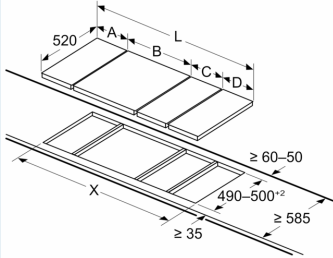


**B:** Dependent on the cut-out depth

## Dimensioned drawings

Measurements in mm

Picture for the table Domino combination possibilities with corresponding devices and cutout dimensions



If two or more elements are installed right next to one another, one or several installation kits are required (2 elements 1 installation kit, 3 elements 2 installation kits, etc.)

Cutout dimension (X) depending on the combination (see combination table)

measurements in mm

Domino combination options with corresponding appliance and cut-out dimensions

Width category: 30 40 60 70 80 90  
Appliance width: 302 392 602 710 812 912

	A	B	C	D	L	X
2x30	302	302	-	-	604	572
1x30, 1x40	302	392	-	-	694	662
1x30, 1x60	302	602	-	-	904	872
1x30, 1x70*	302	710	-	-	1012	980
1x30, 1x80	302	812	-	-	1114	1082
1x30, 1x90	302	912	-	-	1214	1182
2x40	392	392	-	-	784	752
1x40, 1x60	392	602	-	-	994	962
1x40, 1x70*	392	710	-	-	1102	1070
1x40, 1x80	392	812	-	-	1204	1172
1x40, 1x90	392	912	-	-	1304	1272
3x30	302	302	302	-	906	874
2x30, 1x40	302	302	392	-	996	964
2x30, 1x60	302	302	602	-	1206	1174
2x30, 1x70*	302	302	710	-	1314	1282
2x30, 1x80	302	302	812	-	1416	1384
2x30, 1x90	302	302	912	-	1516	1484
1x30, 2x40	302	392	392	-	1086	1054
1x30, 1x40, 1x60	302	392	602	-	1296	1264
1x30, 1x40, 1x70*	302	392	710	-	1404	1372
1x30, 1x40, 1x80	302	392	812	-	1506	1474
1x30, 1x40, 1x90	302	392	912	-	1606	1574
3x40	392	392	392	-	1176	1144
2x40, 1x60	392	392	602	-	1386	1354
4x30	302	302	302	302	1208	1176
3x30, 1x40	302	302	302	392	1298	1266
2x30, 2x40	302	302	392	392	1388	1356
1x30, 3x40	302	392	392	392	1478	1446
1x30, 1x75	302	750	-	-	1052	1016
1x40, 1x75	392	750	-	-	1142	1106
2x30, 1x75	302	302	750	-	1354	1318
1x30, 1x40, 1x75	302	392	750	-	1444	1408

\* Not possible with 70 cm induction hob