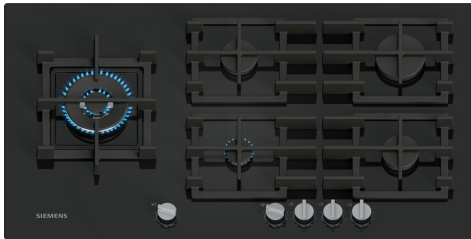


iQ500, Gas hob, 90 cm, Tempered glass, Black EP9A6MI40



Tempered glass gas hob with stepFlame Technology for precise flame control, with detachable dials and semi-continuous pan supports for an easy cleaning.

- ✓ stepFlame Technology: Precise flame control with nine different settings
- ✓ Black tempered glass surface: Extremely heat-resistant
- ✓ Detachable metallic sword dials: Easily removable for easy cleaning and precise cooking control
- ✓ Semi-continuous pan support: Easy to handle and easy to clean
- ✓ Wok burner with 4.0 kW: Fast cooking with even heat distribution

Optional accessories

HZ32WA00	wireless roastingSensor
HZ9SE040	4 pieces Set
HZ9SE060	6 pieces Set

Features

Technical Data

Product name/family: gas hob w integrated controls
 Built-in / Free-standing: Built-in
 Source of energy: Gas
 Number of cooking zones: 5
 Required niche size for installation (HxWxD): 45 x 850-850 x 490-500 mm
 Width of the appliance: 915 mm
 Dimensions: 45x915x520 mm
 Dimensions of the packed product (HxWxD): 170x1115x665 mm
 Weight: 23.2 kg
 Gross weight: 26.6 kg
 Residual heat indicator: Without
 Location of control panel: Front
 Basic surface material: Tempered glass
 Color of surface: Black
 Color of frame: Black
 Length electrical supply cord: 100 cm
 EAN code: 4242003966808
 Gas connection rating: 11500 W
 Fuse protection: 3 A
 Nominal power: 220-240 V
 Frequency: 50; 60 Hz



iQ500, Gas hob, 90 cm, Tempered glass, Black EP9A6MI40

Features

Design

- Tempered Glass surface, black
- frameless design: install the hob either flush or slightly raised on the worktop
- Cast iron pan supports with rubber feet
- full metal

Usage convenience

- Step Flame technology - 9 steps: precisely control and adjust the flame in nine defined levels.
- Design co-ordinated control dials, front: easily access dials in front with strong grip for effortless turning.
- Ignition via control dials: just push and turn the dials to ignite the flame.

Burners and power

- 5 burner gas hob including:
- Left: Wok burner up to 4 KW (depending on gas type)
- Center front: Economy burner up to 1 KW (depending on gas type)
- Center rear: standard burner up to 1.75 KW (depending on gas type)
- Right rear: High-speed burner up to 3 KW (depending on gas type)
- Right front: Standard burner up to 1.75 KW (depending on gas type)

Cleaning

- Removable control dials for easy cleaning between knobs.
- Dishwasher suitable pan supports for easy cleaning.
- Cast iron pan supports with rubber feet: little weight and compact form, yet high stability due to continuous surface.

Safety

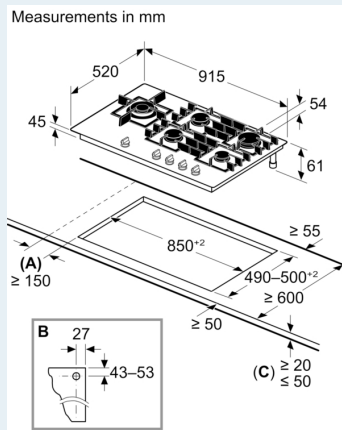
- Flame failure safety device: prevents unwanted gas flow when flame goes out.

Installation (gas types & measurements)

- Usable for: Nat gas L/LL G25/20mbar(DE)
- NG H/E 20mbar, E+ 20/25mbar
- Natural gas H 25 mbar (HU)
- Natural gas L 25 mbar (NL)
- Liquid gas G30,31 28-30/37mbar
- Liquid gas G30 37 mbar (PL)
- Liquid gas 50 mbar
- Factory set for connection to mains gas
- Nozzle set for LPG jets (28-30/37mbar) included. Nozzles for all other gas types can be ordered via the customer service. For nozzle change, please contact the customer service.
- Dimensions of the product (HxWxD mm): 54 x 915 x 520
- Required niche size for installation (HxWxD mm) : 45 x 850 x (490 - 500)
- Min. worktop thickness: 20 mm
- If installed flush, minimum worktop thickness is 30mm.
- Power cord: 1 m
- Connected load: 11.5 KW

**iQ500, Gas hob, 90 cm, Tempered glass, Black
EP9A6MI40**

Dimensioned drawings



A: Min. distance from the hob cut-out to the wall

B: Position of gas connection in the cut-out

C: With fitted oven underneath possibly more; see space requirements for the oven

For worktop thickness between 12 mm to 20 mm need additional spacer, contact customer service for details