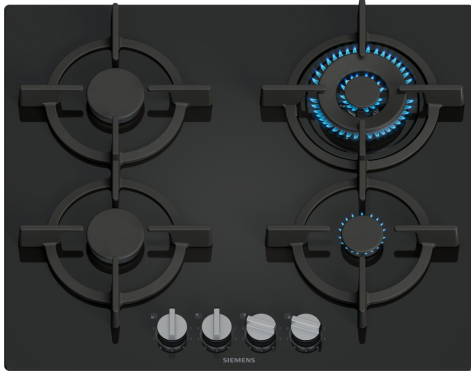


iQ500, Gas hob, 60 cm, Tempered glass, Black EP6A6HI10



Optional accessories

HZ32WA00	wireless roastingSensor
HZ9SE040	4 pieces Set
HZ9SE060	6 pieces Set

Tempered glass gas hob with stepFlame Technology for precise flame control, with detachable dials and pan supports suitable for dishwashers.

- ✓ stepFlame Technology: Precise flame control with nine different settings
- ✓ Black tempered glass surface: Extremely heat-resistant
- ✓ Detachable metallic sword dials: Easily removable for easy cleaning and precise cooking control
- ✓ Individual cast iron pan support: Easy to handle and easy to clean
- ✓ Wok burner 3,5 kW: Go from simmer to stir-fry on one burner

Features

Technical Data

Product name/family:	gas hob w integrated controls
Built-in / Free-standing:	Built-in
Source of energy:	Gas
Number of cooking zones:	4
Required niche size for installation (HxWxD):	45 x 560-560 x 480-490 mm
Width of the appliance:	590 mm
Dimensions:	45x590x520 mm
Dimensions of the packed product (HxWxD):	150x650x580 mm
Weight:	14.4 kg
Gross weight:	15.6 kg
Residual heat indicator:	Without
Location of control panel:	Front
Basic surface material:	Tempered glass
Color of surface:	Black
Color of frame:	Black
Length electrical supply cord:	100 cm
EAN code:	4242003966686
Gas connection rating:	8000 W
Fuse protection:	3 A
Nominal power:	220-240 V
Frequency:	50; 60 Hz



iQ500, Gas hob, 60 cm, Tempered glass, Black EP6A6HI10

Features

Design

- Tempered Glass surface, black
- frameless design: install the hob either flush or slightly raised on the worktop
- Cast iron w rubber feet single
- full metal

Usage convenience

- Step Flame technology - 9 steps: precisely control and adjust the flame in nine defined levels.
- Design co-ordinated control dials, front: easily access dials in front with strong grip for effortless turning.
- Ignition via control dials: just push and turn the dials to ignite the flame.

Burners and power

- 4 burner gas hob including:
- Left front: Standard burner up to 1.75 KW (depending on gas type)
- Left rear: Standard burner up to 1.75 KW (depending on gas type)
- Right rear: WOK burner up to 3.5 KW (depending on gas type)
- Right front: Economy burner up to 1 KW (depending on gas type)

Cleaning

- Removable control dials for easy cleaning between knobs.
- Dishwasher suitable pan supports for easy cleaning.

Safety

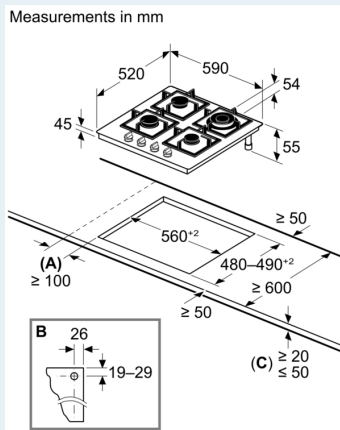
- Flame failure safety device: prevents unwanted gas flow when flame goes out.

Installation (gas types & measurements)

- Usable for: Nat gas L/LL G25/20mbar(DE)
- NG H/E 20mbar, E+ 20/25mbar
- Natural gas H 25 mbar (HU)
- Natural gas L 25 mbar (NL)
- Liquid gas G30,31 28-30/37mbar
- Liquid gas G30 37 mbar (PL)
- Liquid gas 50 mbar
- Factory set for connection to mains gas
- Nozzle set for LPG jets (28-30/37mbar) included. Nozzles for all other gas types can be ordered via the customer service. For nozzle change, please contact the customer service.
- Dimensions of the product (HxWxD mm): 54 x 590 x 520
- Required niche size for installation (HxWxD mm) : 45 x 560 x (480 - 490)
- Min. worktop thickness: 20 mm
- If installed flush, minimum worktop thickness is 30mm.
- Power cord: 1 m
- Connected load: 8 KW

**iQ500, Gas hob, 60 cm, Tempered glass, Black
EP6A6HI10**

Dimensioned drawings



A: Min. distance from the hob cut-out to the wall

B: Position of gas connection in the cut-out

C: With fitted oven underneath possibly more; see space requirements for the oven

For worktop thickness between 12 mm to 20 mm need additional spacer, contact customer service for details