

iQ100, Induction hob, 80 cm, Black, EH845FVB1E



HZ390090	Wok Set consisting of 3 Items
HZ9E5100	Espresso maker 4 cups
HZ9FE280	Iron pan Ø 18 / 28 cm
HZ9SE030	Set of 2 pots and 1 pan
HZ9SE040	4 pieces Set
HZ9SE060	6 pieces Set

The induction cooktop – faster, safer, cleaner, more efficient cooking.

- ✓ Allows to control the temperature by entering it directly or by moving the slider with a single finger - touchSlider Control.
- ✓ powerBoost – Increases the power of an induction zone by up to 50%.
- ✓ Timer with cooking zone shut-off function
- ✓ The child safety lock safely prevents unintentional switch-on.
- ✓ More energy efficient cooking thanks to the Energy Consumption Display.

Product name/family: Cooking zone ceramic
Built-in / Free-standing: Built-in
Source of energy: Electric
Number of cooking zones: 5
Min. required niche size for installation (HxWxD):55 x 780-780 x 500-500 mm
Width of the appliance: 795 mm
Dimensions:55 x 795 x 517 mm
Dimensions of the packed product (HxWxD):	... 126 x 953 x 603 mm
Weight: 13.0 kg
Gross weight: 16.8 kg
Residual heat indicator: Separate
Location of control panel: Front
Basic surface material: Ceramic
Color of surface: Black, Stainless steel
Color of frame:Stainless steel
Length electrical supply cord: 110.0 cm
EAN code:4242003716373
Nominal power:220-240 V
Frequency:50; 60 Hz



iQ100, Induction hob, 80 cm, Black, EH845FVB1E

Design

- All around trim
- 80 cm: space for 5 pots or pans.

Flexibility of cooking zones

- Cooking zone front left: 180 mm, 1.8 KW (max. power 3.1 KW)
- Cooking zone rear left: 145 mm, 1.4 KW (max. power 2.2 KW)
- Cooking zone middle: 240 mm, 2.2 KW (max. power 3.7 KW)
- Cooking zone rear right: 145 mm, 1.4 KW (max power 2.2 KW)
- Cooking zone front right: 210 mm, 2.2 KW (max. power 3.7 KW)

Usage convenience

- touchSlider control: directly control the power with the imprinted touch bar.
- 17 power levels: precisely adapt the heat with 17 power levels (9 main levels and 8 intermediate levels).
- Timer for all zones
- : switches off the cooking zone at the end of the time set (e.g. for boiled eggs).
- Acoustic signal
- : an alarm sounds at the end of the time set (e.g. for pasta).

Time saving & efficiency

- Power boost setting
- : boil water faster thanks to 50% more energy than at the highest standard level.
- quickStart function: when switching on, the hob automatically selects the cooking zone with cookware (when placed on a zone whilst the hob is off).
- reStart function: in case of unintentional switch-off, this feature restores all previous settings by switching on the hob again within 4 seconds.

Safety

- 2 stage residual heat indicators: indicates which cooking zones are still hot or warm.
- Control panel lock: prevent unintended activation of the hob.
- Control panel pause: wipe overboiled liquids without unintentionally changing settings (blocking all touch buttons for 30 seconds).
- Main on/off switch: switch off all cooking zones at the touch of a button.
- Automatic safety switch off: for safety reasons, heating stops after a preset time if not used.
- Energy Consumption Display: shows the electricity consumption of the last cooking process.

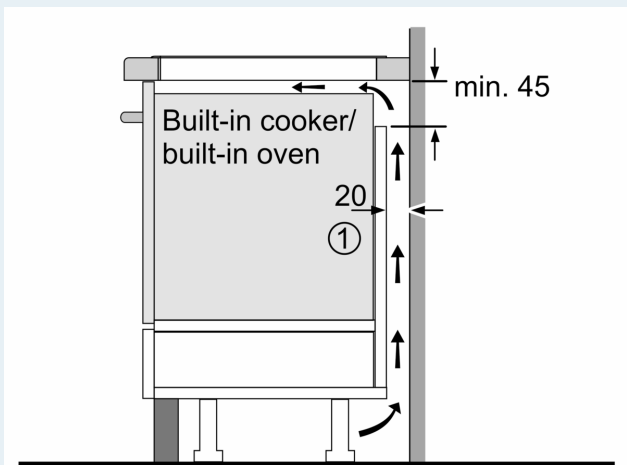
Installation

- Dimensions of the product (HxWxD mm): 55 x 795 x 517
- Required niche size for installation (HxWxD mm) : 55 x 780 x (500 - 500)
- Min. worktop thickness: 16 mm
- Connected load: 7.4 KW
- Connection current management (20, 16, 13, 10 Amps options): limit the maximum power if needed (depends on fuse protection of

electric installation).

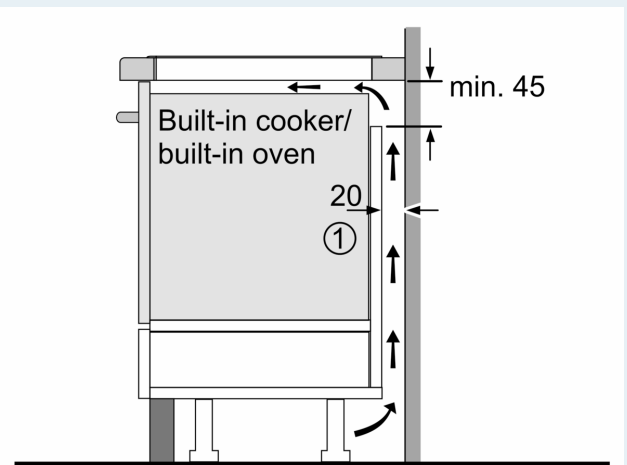
- Power cord: 1.1 m, Cable included in packaging

**iQ100, Induction hob, 80 cm,
Black,
EH845FVB1E**



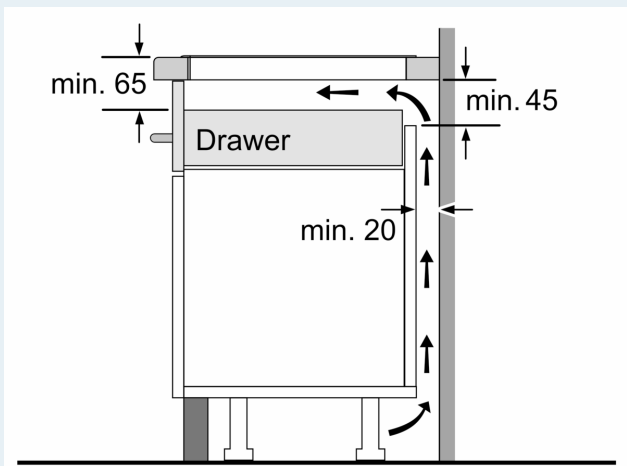
①
Ventilation gap must
be present

All measurements in mm

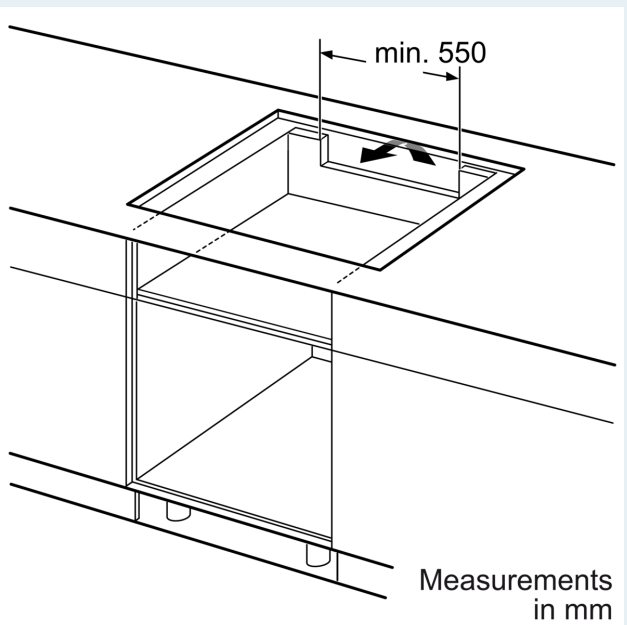


①
Ventilation gap must
be present

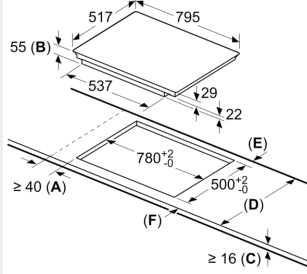
All measurements in mm



Measurements in mm



measurements in mm



- A:** Minimum distance from the hob cut-out to the wall.
- B:** Recessed depth
- C:** The clearance between the surface of the worktop and the top of the front of the oven must be 30 mm. See space requirements for the oven.

The worktop into which the hob is installed must withstand loads of approx. 60 kg; suitable substructures must be used if required.

D	E	F
585-600	50	≥ 35
> 600	≥ 50	≥ 50