

Series 4, Wall-mounted cooker hood, 60 cm, Stainless steel DWQ66DM50B



Slim Pyramid hood: performance and matching design in your kitchen.

- Quiet extraction with powerful performance
- Enjoy the benefits of a cleaner and healthier kitchen, free from excessive grease and unwanted odors.
- TouchSelect control: Quickly select hood settings via touch.
- LED Illumination: The energy-saving lighting provides bright and clear lighting for the hob area.
- Intensive speed setting: removes strong kitchen odours quickly and effectively.

| | |
|-----------|--|
| DHZ1225 | Chimney extension 1000 mm |
| DHZ1235 | Chimney extension 1500 mm |
| DHZ6550 | Brushed steel back panel |
| DHZ6551 | Brushed steel back panel |
| DWZ0XX0J0 | Long Life recirculation kit |
| DWZ1DX1B4 | Clean Air Standard odor filter (repl.) |
| DWZ1DX1I4 | Clean Air Standard recirculation kit |
| DWZ1DX1I6 | Clean Air Plus recirculation kit |
| DWZ1FX5C6 | Clean Air Plus recirc. kit external |
| DWZ1FX5D1 | Long Life recirculation kit external |
| DZZ0XX0P0 | Long Life odor filter (replacement) |
| DZZ1XX1B6 | Clean Air Plus odor filter (replacement) |

| | |
|---|------------------------------------|
| Typology: |Wall-mounted |
| Length electrical supply cord: | 130.0 cm |
| Height of the chimney: | 582-912/582-1022 mm |
| Height of the appliance: | 94 mm |
| Minimum distance above an electric hob: | 550 mm |
| Minimum distance above a gas hob: |650 mm |
| Net weight: | 11.0 kg |
| Type of control: |Electronic |
| Number of speed settings: | 3-stages + intensive setting |
| Max. air extraction: | 411 m ³ /h |
| Boost position output recirculating: |441 m ³ /h |
| Max. air recirculation: | 337 m ³ /h |
| Boost position air extraction: | 644 m ³ /h |
| Maximum Air flow: | 411 m ³ /h |
| Number of lights: | 2 |
| Noise level: |62 dB(A) re 1pW |
| Diameter of air outlet: | 120 / 150 mm |
| Grease filter material: |Washable aluminium |
| EAN code: |4242005051212 |
| Connection rating: | 220 W |
| Fuse protection: |10 A |
| Voltage: | 220-240 V |
| Frequency: | 50; 60 Hz |
| Plug type: | GB plug |
| Installation typology: |Wall-mounted |



Series 4, Wall-mounted cooker hood, 60 cm, Stainless steel DWQ66DM50B

Slim Pyramid hood: performance and matching design in your kitchen.

Key performance features:

- Energy Efficiency Class: A (at a range of energy efficiency classes from A+++ to D)
- Extraction rate according to EN 61591 ø 15 cm:
 - max. Normal use 410 m³/h
 - Intensive 644 m³/h
- Noise max. Normal Level: Noise, max. speed in normal use: 62 dB dB*

Features

- TouchControl with Electronic display
- Electronic display
- 3 power levels & intensive setting
- 2 x 1.5W LED light
- Colour Temperature: 3500 K
- Automatic intensive revert (6mins)
- 2 removable metal grease filter cassettes
- Installation: wall

Design

- Chimney extractor hood
- TouchControl
- Electronic control

Performance/technical information

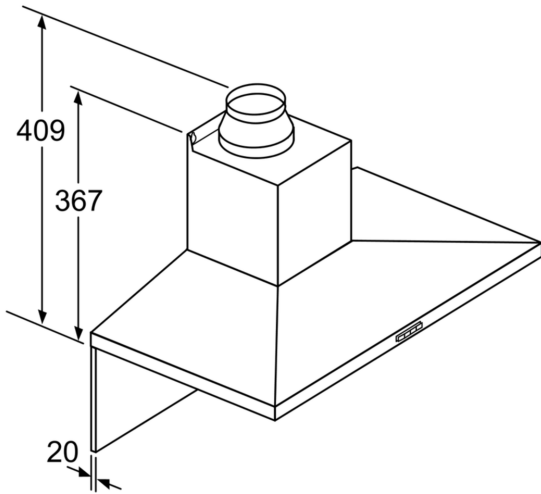
- Suitable for ducted or recirculating operation
- For recirculated extraction recirculating kit or CleanAir recirculating kit (accessory) needed
- Max. extraction rate: 644 m³/h
- Noise level according to EN 60704-3 and EN 60704-2-13 exhaust air:
 - Max. normal use: 62 dB(A) re 1 pW
 - Intensive: 70 dB(A) re 1 pW
- Power rating: 220 W
- Light Intensity: 242 lux
- Electrical cable length 1.3 m
- Diameter pipe ø 150 mm (ø 120 mm enclosed)
- Dimensions exhaust air (HxWxD): 676-1006 x 600 x 500 mm
- Dimensions recirculating (HxWxD): 676-1116 x 600 x 500 mm
- Dimensions recirculating with CleanAir module (HxWxD):
 - 744 x 600 x 500 mm - mounting with outer chimney
 - 874-1204 x 600 x 500 mm - mounting with telescopic chimney
- Blower Efficiency Class: A*
- Lighting Efficiency Class: A*
- Grease Filtering Efficiency Class: B*
- Average Energy Consumption: 41.7 kWh/year*

Optional accessories

- Recirculating kit DHZ1225

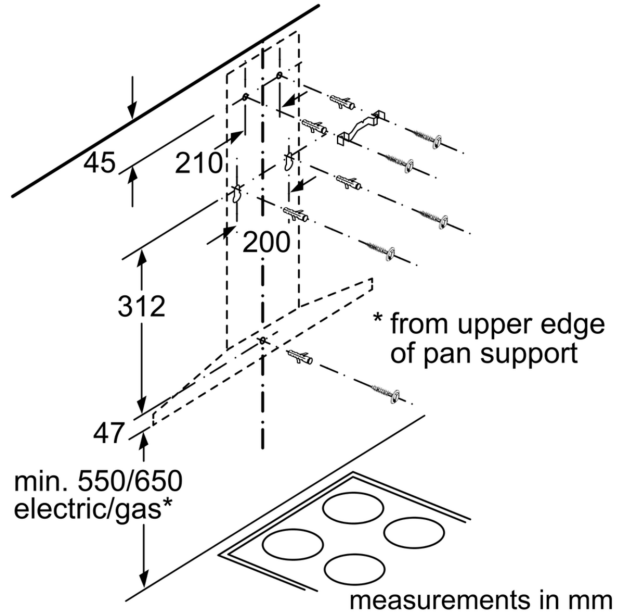
* In accordance with the EU-Regulation No 65/2014

**Series 4, Wall-mounted cooker hood,
60 cm, Stainless steel
DWQ66DM50B**



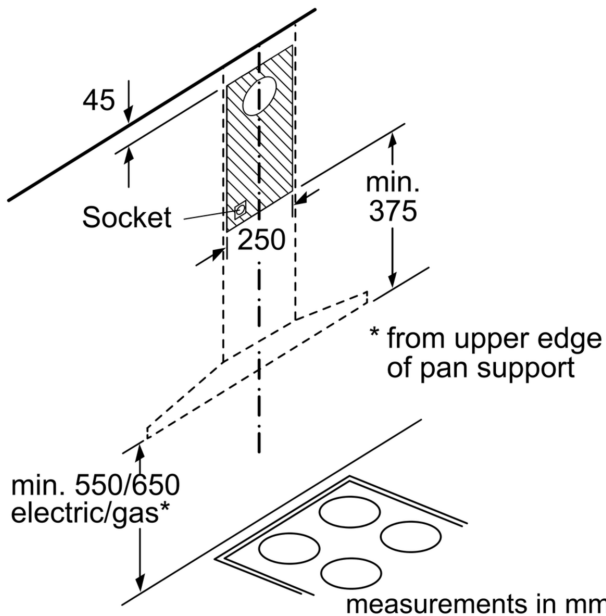
If a back panel is used, the design of the appliance must be considered.

measurements in mm



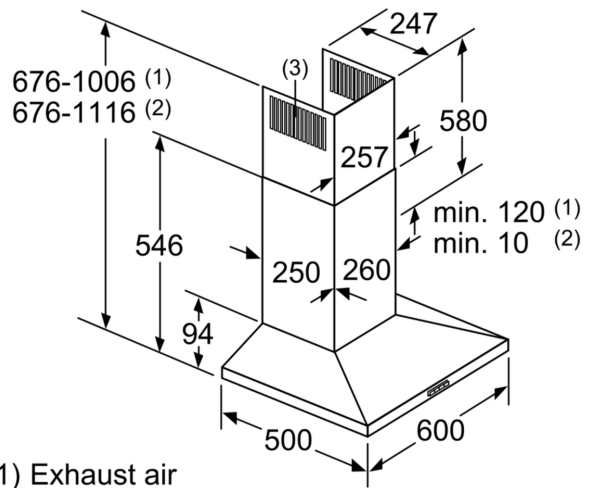
min. 550/650
electric/gas*

measurements in mm



min. 550/650
electric/gas*

measurements in mm



- (1) Exhaust air
- (2) Circulated air
- (3) Air outlet – slots for exhaust air to be mounted facing down

measurements in mm