

**Series 2, Wall-mounted cooker hood,
60 cm, Stainless steel
DWP64BC50B**



DHZ1224	Chimney extension 500 mm
DHZ1234	Chimney extension 750 mm
DHZ5275	Standard recirculation kit
DHZ5276	Standard odor filter (replacement)
DHZ6550	Brushed steel back panel
DHZ6551	Brushed steel back panel

**Pyramid hood: perfect performance
matching your kitchen.**

- **LED Illumination:** The energy-saving lighting provides bright and clear lighting for the hob area.
- **High extraction rate - for continuously clean air in the kitchen.**
- **Adjust the extraction intensity according to your cooking needs.**
- **Dishwasher safe aluminum mesh filters**

Typology:Wall-mounted
Length electrical supply cord: 130.0 cm
Height of the chimney: 553-730/573-730 mm
Height of the appliance: 246 mm
Minimum distance above an electric hob: 550 mm
Minimum distance above a gas hob:650 mm
Net weight:7.6 kg
Type of control: mechanical
Number of speed settings: 3
Max. air extraction: 365 m ³ /h
Max. air recirculation: 211 m ³ /h
Maximum Air flow:365 m ³ /h
Number of lights: 2
Noise level: 66 dB(A) re 1pW
Diameter of air outlet: 120 / 150 mm
Grease filter material:Washable aluminium
EAN code:4242005031467
Connection rating: 100 W
Fuse protection:10 A
Voltage: 220-240 V
Frequency: 50; 60 Hz
Plug type: GB plug
Installation typology:Wall-mounted



Series 2, Wall-mounted cooker hood, 60 cm, Stainless steel DWP64BC50B

Pyramid hood: perfect performance matching your kitchen.

Key performance features:

- Energy Efficiency Class: D (at a range of energy efficiency classes from A+++ to D)
- Max. extraction rate: 365 m³/h
- Noise max. Normal Level: Noise, max. speed in normal us: 66 dB dB*

Features

- Push button control
- 3 power levels
- 2 x 1.5W LED light
- Colour Temperature: 3500 K
- 2 removable metal grease filter cassettes
- Installation: wall

Design

- Chimney extractor hood
- Mechanical

Performance/technical information

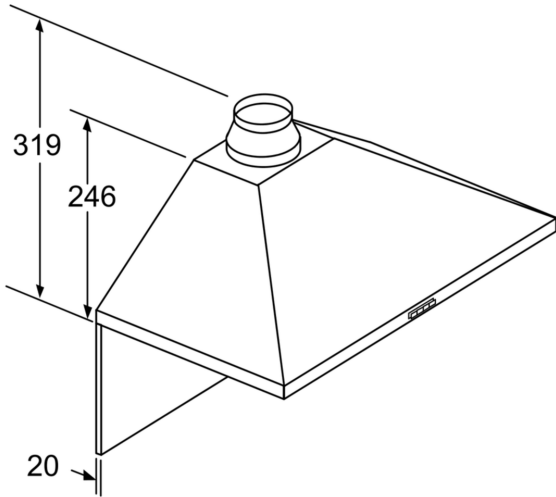
- Suitable for ducted or recirculating operation
- For recirculated extraction recirculating kit (accessory) needed
- Maximum extraction rate exhaust air 365 m³/h according to EN 61591
- Extraction rate in recirculation mode:
 - Max. normal use: 211 m³/h
- Noise level according to EN 60704-3 and EN 60704-2-13 at max. normal use exhaust air: 66 dB(A) re 1 pW
- Noise level in recirculation mode:
 - Max. normal use: 67 dB(A) re 1 pW (54 dB(A) re 20 µPa sound pressure)
- Power rating: 100 W
- Light Intensity: 104 lux
- Electrical cable length 1.3 m
- Diameter pipe Ø 150 mm (Ø 120 mm enclosed)
- Dimensions exhaust air (HxWxD): 799-975 x 600 x 500 mm
- Dimensions recirculating (HxWxD): 799-975 x 600 x 500 mm
- Blower Efficiency Class: E*
- Lighting Efficiency Class: A*
- Grease Filtering Efficiency Class: C*
- Average Energy Consumption: 53.1 kWh/year*

Optional accessories

- Recirculating kit DHZ1224

* In accordance with the EU-Regulation No 65/2014

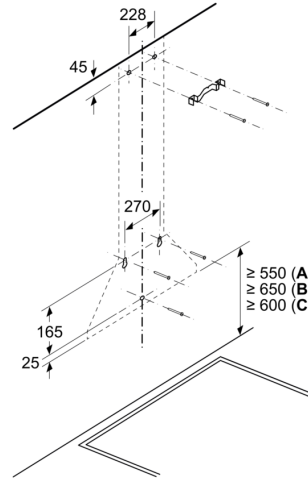
**Series 2, Wall-mounted cooker hood,
60 cm, Stainless steel
DWP64BC50B**



If a back panel is used,
the design of the appliance
must be considered.

measurements in mm

Measurements in mm

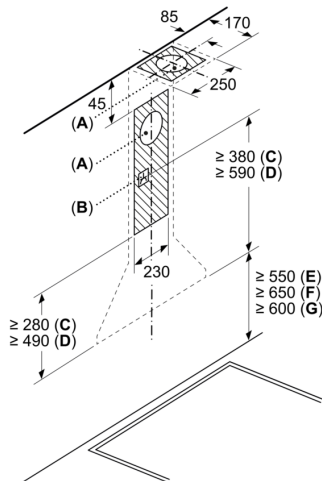


A: Electric

B: Gas - from upper edge of pan support

C: Electric - for Australia and New Zealand

Measurements in mm



A: Exhaust-air outlet

B: Socket

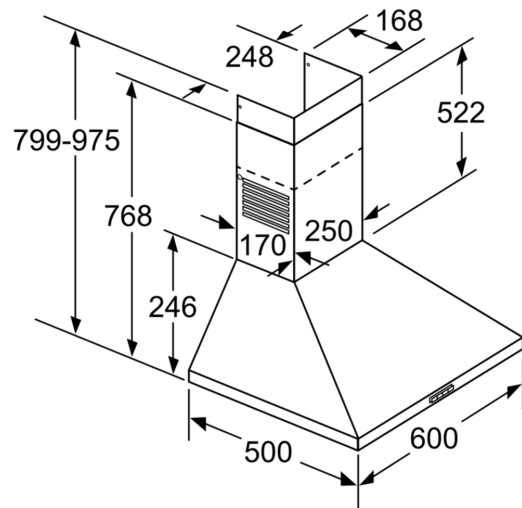
C: Exhaust air

D: Circulated air

E: Electric

F: Gas - from upper edge of pan support

G: Electric - for Australia and New Zealand



measurements in mm