

**Series 2, Wall-mounted cooker hood,
90 cm, clear glass
DWG94BC50B**



**Hood with glass design: performance
combined with straight glass design
matching your kitchen.**

- Quiet extraction with powerful performance
- LED Illumination: The energy-saving lighting provides bright and clear lighting for the hob area.
- High extraction rate - for continuously clean air in the kitchen.
- Adjust the extraction intensity according to your cooking needs.
- Dishwasher safe aluminum mesh filters

DHZ1225	Chimney extension 1000 mm
DHZ1235	Chimney extension 1500 mm
DHZ9550	Brushed steel back panel
DHZ9551	Brushed steel back panel
DWZ0XX0J0	Long Life recirculation kit
DWZ1DX1B4	Clean Air Standard odor filter (repl.)
DWZ1DX1I4	Clean Air Standard recirculation kit
DWZ1DX1I6	Clean Air Plus recirculation kit
DWZ1FX5C6	Clean Air Plus recirc. kit external
DWZ1FX5D1	Long Life recirculation kit external
DZZ0XX0P0	Long Life odor filter (replacement)
DZZ1XX1B6	Clean Air Plus odor filter (replacement)

Typology:	Wall-mounted
Length electrical supply cord:	130.0 cm
Height of the chimney:	576-906/576-998 mm
Height of the appliance:	59 mm
Minimum distance above an electric hob:	550 mm
Minimum distance above a gas hob:	650 mm
Net weight:	15.1 kg
Type of control:	mechanical
Number of speed settings:	3
Max. air extraction:	365 m ³ /h
Max. air recirculation:	240 m ³ /h
Maximum Air flow:	365 m ³ /h
Number of lights:	2
Noise level:	64 dB(A) re 1pW
Diameter of air outlet:	120 / 150 mm
Grease filter material:	Washable aluminium
EAN code:	4242005051175
Connection rating:	100 W
Fuse protection:	10 A
Voltage:	220-240 V
Frequency:	50; 60 Hz
Plug type:	GB plug
Installation typology:	Wall-mounted



Series 2, Wall-mounted cooker hood, 90 cm, clear glass DWG94BC50B

**Hood with glass design: performance
combined with straight glass design
matching your kitchen.**

Key performance features:

- Energy Efficiency Class: D (at a range of energy efficiency classes from A+++ to D)
- Max. extraction rate: 365 m³/h
- Noise max. Normal Level: Noise, max. speed in normal us: 64 dB dB*

Features

- Push button control
- 3 power levels
- 2 x 1.5W LED light
- Colour Temperature: 3500 K
- 2 removable metal grease filter cassettes
- Installation: wall

Design

- Chimney extractor hood
- Mechanical

Performance/technical information

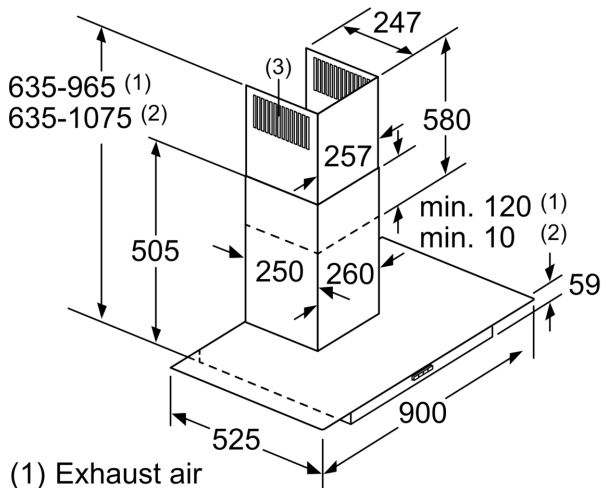
- Suitable for ducted or recirculating operation
- For recirculated extraction recirculating kit or CleanAir recirculating kit (accessory) needed
- Maximum extraction rate exhaust air 365 m³/h according to EN 61591
- Noise level according to EN 60704-3 and EN 60704-2-13 at max. normal use exhaust air: 64 dB(A) re 1 pW
- With the Clean Air Plus recirculation kit (available as optional accessory) your appliances reaches:
- Extraction rate in recirculation mode: Max. normal use: 240 m³/h
- Noise level in recirculation mode: Max. normal use: 65 dB(A) re 1 pW
- Power rating: 100 W
- Light Intensity: 91 lux
- Electrical cable length 1.3 m
- Diameter pipe Ø 150 mm (Ø 120 mm enclosed)
- Dimensions exhaust air (HxWxD): 635-965 x 900 x 525 mm
- Dimensions recirculating (HxWxD): 635-1075 x 900 x 525 mm
- Dimensions recirculating with CleanAir module (HxWxD):
- 703 x 900 x 525 mm - mounting with outer chimney
- 833-1163 x 900 x 525 mm - mounting with telescopic chimney
- Blower Efficiency Class: E*
- Lighting Efficiency Class: A*
- Grease Filtering Efficiency Class: C*
- Average Energy Consumption: 53.1 kWh/year*

Optional accessories

- Recirculating kit DHZ1225

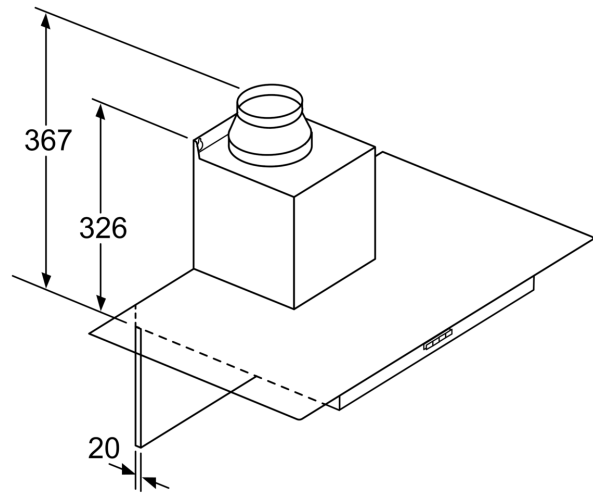
* In accordance with the EU-Regulation No 65/2014

**Series 2, Wall-mounted cooker hood,
90 cm, clear glass
DWG94BC50B**



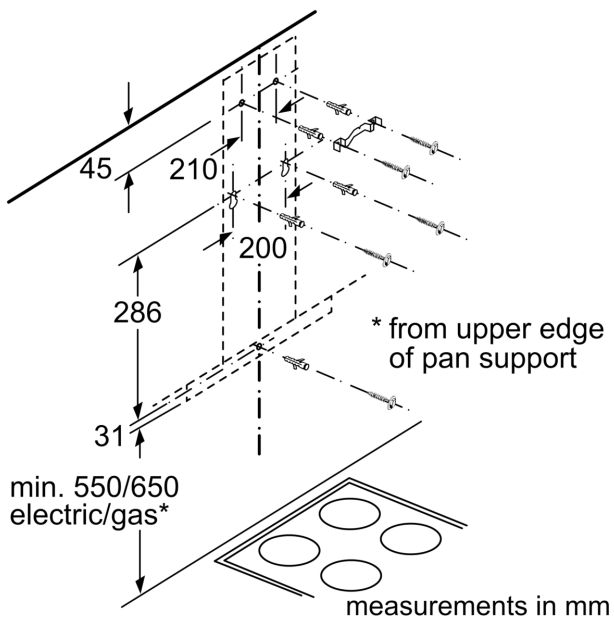
- (1) Exhaust air
- (2) Circulated air
- (3) Air outlet – slots for exhaust air to be mounted facing down

measurements in mm



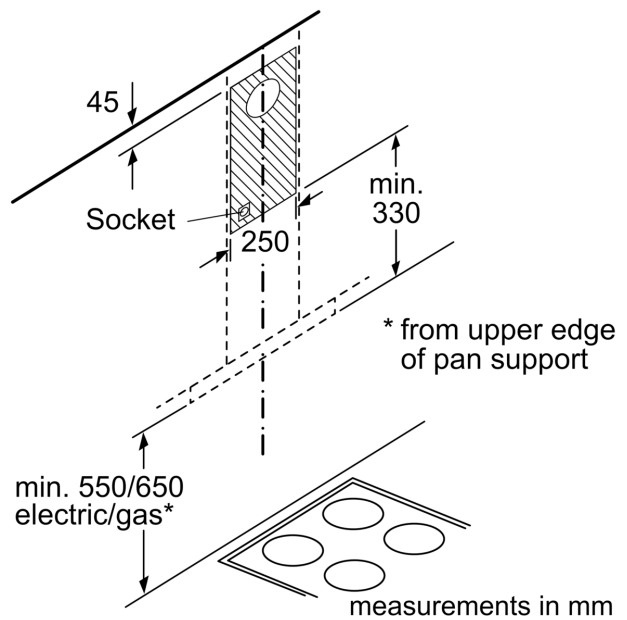
If a back panel is used, the design of the appliance must be considered.

measurements in mm



* from upper edge of pan support

measurements in mm



* from upper edge of pan support

measurements in mm