

Series 4, Wall-mounted cooker hood, 90 cm, Stainless steel DWB96DM50B



DHZ1225	Chimney extension 1000 mm
DHZ1235	Chimney extension 1500 mm
DHZ9550	Brushed steel back panel
DHZ9551	Brushed steel back panel
DWZ0XX0J0	Long Life recirculation kit
DWZ1DX1B4	Clean Air Standard odor filter (repl.)
DWZ1DX114	Clean Air Standard recirculation kit
DWZ1DX116	Clean Air Plus recirculation kit
DWZ1FX5C6	Clean Air Plus recirc. kit external
DWZ1FX5D1	Long Life recirculation kit external
DZZ0XX0P0	Long Life odor filter (replacement)
DZZ1XX1B6	Clean Air Plus odor filter (replacement)

Box design hood: performance and matching kitchen design complete in one hood.

- **Especially silent:** maximum hood performance, minimum noise.
- **TouchSelect control:** Quickly select hood settings via touch.
- **LED Illumination:** The energy-saving lighting provides bright and clear lighting for the hob area.
- **Intensive speed setting:** removes strong kitchen odours quickly and effectively.
- **High extraction rate - for continuously clean air in the kitchen.**

Typology:Wall-mounted
Length electrical supply cord: 130.0 cm
Height of the chimney: 583-912/583-1022 mm
Height of the appliance: 53 mm
Minimum distance above an electric hob: 550 mm
Minimum distance above a gas hob:650 mm
Net weight: 12.7 kg
Type of control:Electronic
Number of speed settings: 3-stages + intensive setting
Max. air extraction: 372 m ³ /h
Boost position output recirculating: 441 m ³ /h
Max. air recirculation: 337 m ³ /h
Boost position air extraction: 604 m ³ /h
Maximum Air flow: 372 m ³ /h
Number of lights: 2
Noise level:60 dB(A) re 1pW
Diameter of air outlet: 120 / 150 mm
Grease filter material:Washable aluminium
EAN code:4242005051120
Connection rating: 220 W
Fuse protection:10 A
Voltage: 220-240 V
Frequency: 50; 60 Hz
Plug type: GB plug
Installation typology:Wall-mounted



Series 4, Wall-mounted cooker hood, 90 cm, Stainless steel DWB96DM50B

Box design hood: performance and matching kitchen design complete in one hood.

Key performance features:

- Energy Efficiency Class: B (at a range of energy efficiency classes from A+++ to D)
- Maximum extraction rate exhaust air 372 m³/h according to EN 61591
- Extraction rate according to EN 61591 ø 15 cm:
 - max. Normal use 372 m³/h
 - Intensive 604 m³/h
- Noise max. Normal Level: Noise, max. speed in normal us: 60 dB dB*

Features

- TouchControl with Electronic display
- Electronic display
- 3 power levels & intensive setting
- 2 x 1.5W LED light
- Colour Temperature: 3500 K
- Automatic intensive revert (6mins)
- 3 removable metal grease filter cassettes
- Installation: wall

Design

- Chimney extractor hood
- TouchControl
- Electronic control

Performance/technical information

- Suitable for ducted or recirculating operation
- For recirculated extraction recirculating kit or CleanAir recirculating kit (accessory) needed
- Max. extraction rate: 604 m³/h
- Noise level according to EN 60704-3 and EN 60704-2-13 exhaust air:
 - Max. normal use: 60 dB(A) re 1 pW
 - Intensive: 70 dB(A) re 1 pW
- With the Clean Air Plus recirculation kit (available as optional accessory) your appliances reaches:
 - Extraction rate in recirculation mode: Max. normal use: 337 m³/h
 - Intensive: 441 m³/h
 - Noise level in recirculation mode: Max. normal use: 70 dB(A) re 1 pW
 - Intensive: 74 dB(A) re 1 pW
- Power rating: 220 W
- Light Intensity: 214 lux
- Electrical cable length 1.3 m
- Diameter pipe ø 150 mm (ø 120 mm enclosed)
- Dimensions exhaust air (HxWxD): 635-965 x 900 x 500 mm
- Dimensions recirculating (HxWxD): 635-1075 x 900 x 500 mm
- Dimensions recirculating with CleanAir module (HxWxD):
 - 703 x 900 x 500 mm - mounting with outer chimney
 - 833-1163 x 900 x 500 mm - mounting with telescopic chimney

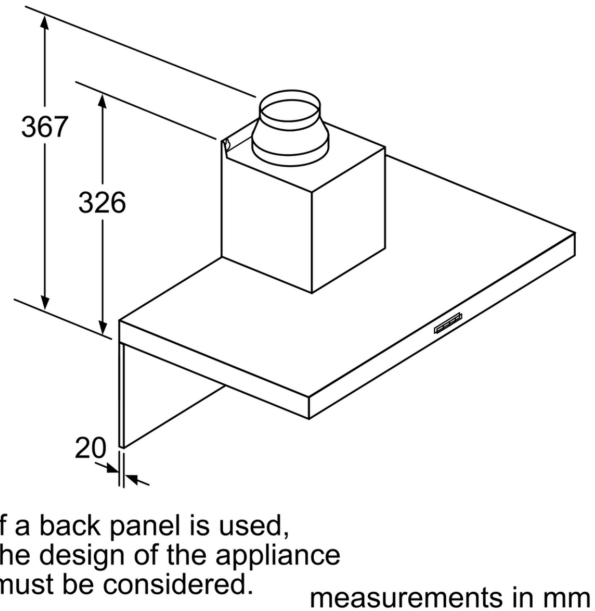
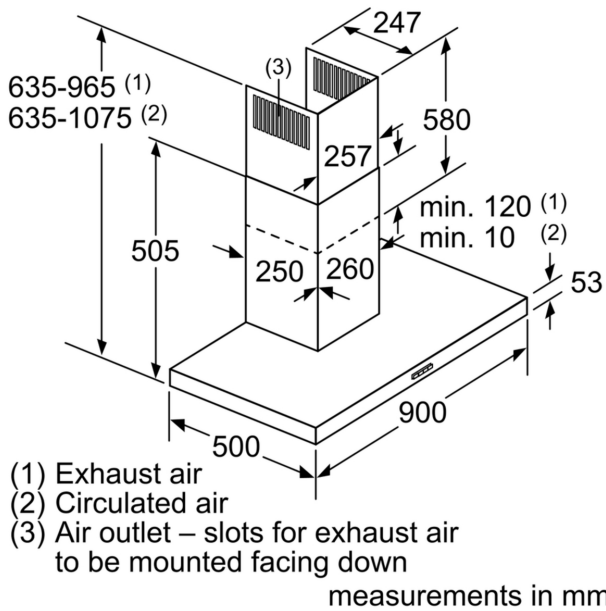
- Blower Efficiency Class: A*
- Lighting Efficiency Class: A*
- Grease Filtering Efficiency Class: C*
- Average Energy Consumption: 48.5 kWh/year*

Optional accessories

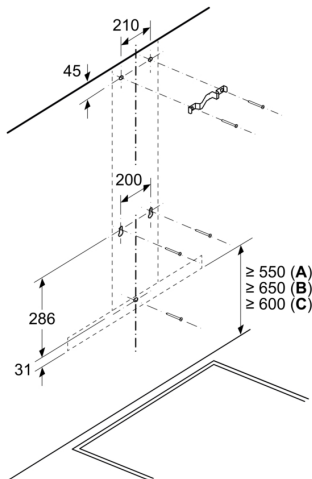
- Recirculating kit DHZ1225

* In accordance with the EU-Regulation No 65/2014

**Series 4, Wall-mounted cooker hood,
90 cm, Stainless steel
DWB96DM50B**



Measurements in mm

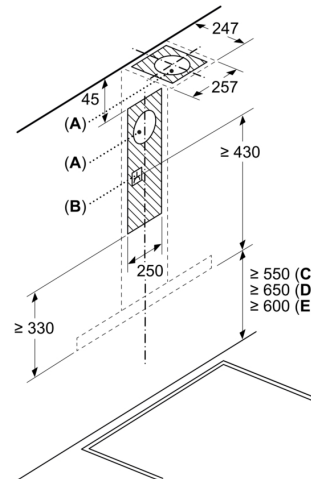


A: Electric

B: Gas - from upper edge of pan support

C: Electric - for Australia and New Zealand

Measurements in mm



A: Exhaust air outlet

B: Socket

C: Electric

D: Gas - from upper edge of pan support

E: Electric - for Australia and New Zealand