

**Series 8, Ceiling cooker hood, 90 cm,
Stainless steel
DID09T951B**



A

The ceiling cooker hood: the space-saving solution for perfect integration into the ceiling.

- **Intensive speed setting:** removes strong kitchen odours quickly and effectively.
- **High extraction rate - for continuously clean air in the kitchen.**
- **Intensive Setting: the powerful way to beat intense steam during cooking, with automatic revert.**
- **Dishwasher safe aluminum mesh filters**
- **Ducted or Non-ducted Options**

DSZ5201 CleanAir active carbon filter spare part
DSZ5300 CleanAir Recirculation module

Typology:Island/Ceiling
 Length electrical supply cord: 140.0 cm
 Min. required niche size for installation (HxWxD): 299mm x 870.0mm x 476mm mm
 Minimum distance above an electric hob: 550 mm
 Minimum distance above a gas hob:650 mm
 Net weight: 15.9 kg
 Type of control:Electronic
 Number of speed settings: 3-stages + intensive setting
 Max. air extraction: 583 m³/h
 Boost position output recirculating:575.0 m³/h
 Max. air recirculation: 507 m³/h
 Boost position air extraction: 780 m³/h
 Maximum Air flow:583 m³/h
 Number of lights: 4
 Noise level:64 dB(A) re 1pW
 Diameter of air outlet: 150 mm
 Grease filter material:Washable aluminium
 EAN code: 4242002941448
 Connection rating: 285 W
 Fuse protection:10 A
 Voltage: 220-240 V
 Frequency: 50 Hz
 Plug type: GB plug
 Installation typology: Built-in



Series 8, Ceiling cooker hood, 90 cm, Stainless steel DID09T951B

The ceiling cooker hood: the space-saving solution for perfect integration into the ceiling.

- Grease Filtering Efficiency Class: E*
- Average Energy Consumption: 58.2 kWh/year*

Optional accessories

- Recirculating kit DSZ5201

* In accordance with the EU-Regulation No 65/2014

Key performance features:

- Energy Efficiency Class: A (at a range of energy efficiency classes from A+++ to D)
- Extraction rate according to EN 61591 ø 15 cm:
 - max. Normal use 575 m³/h
 - Intensive 780 m³/h
- Noise max. Normal Level: Noise, max. speed in normal use: 64 dB dB*

Features

- Soft touch button control with 7-segment display
- 7-segment display
- 3 power levels & intensive setting
- 4 x LED 2.5W
- Colour Temperature: 4000 K
- Interval operation
- Automatic intensive revert
- Automatic 10 minutes after running
- Filter cover stainless steel, Removable metal grease filters
- 2 removable metal grease filter cassettes
- Installation: Ceiling
- Rim ventilation

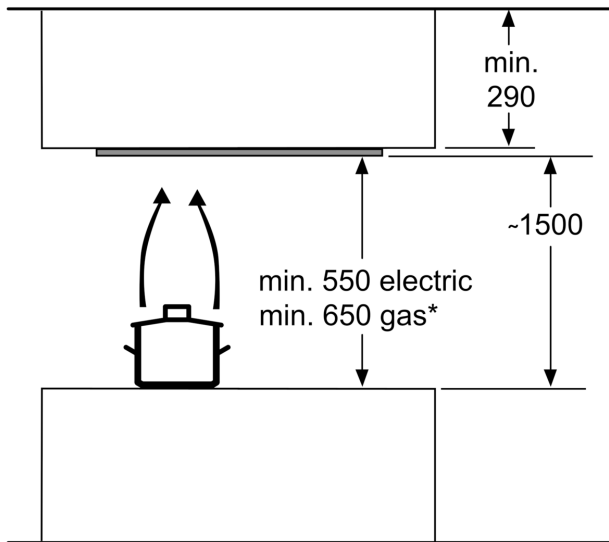
Design

- Soft touch button control
- Electronic control
- radio remote control

Performance/technical information

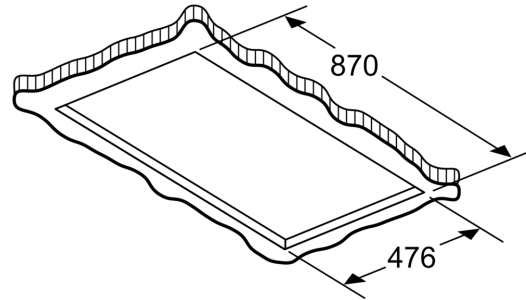
- Suitable for ducted or recirculating operation
- For recirculated extraction CleanAir recirculating kit (accessory) needed
- Extraction rate according to EN 61591 max. 780 m³/h
- Noise level according to EN 60704-3 and EN 60704-2-13 at max. normal use exhaust air: 64 dB(A) re 1 pW
- Noise level according to EN 60704-3 and EN 60704-2-13 exhaust air:
 - Max. normal use: 64 dB(A) re 1 pW
 - Intensive: 70 dB(A) re 1 pW
- Noise level according to EN 60704-3 and EN 60704-2-13 at maximum normal setting: extraction rate: 64 dB (A) re 1 pW
- Power rating: 285 W
- Light Intensity: 673 lux
- Electrical cable length 1.4 m
- Extractor hose 150 mm
- Diameter pipe ø 150 mm (ø 150 mm enclosed)
- Dimensions (WxD): 900 x 500 mm
- Built-in dimensions (HxWxD): 299 x 870 x 476 mm
- Blower Efficiency Class: A*
- Lighting Efficiency Class: A*

**Series 8, Ceiling cooker hood, 90 cm,
Stainless steel
DID09T951B**



* from upper edge of
pan support

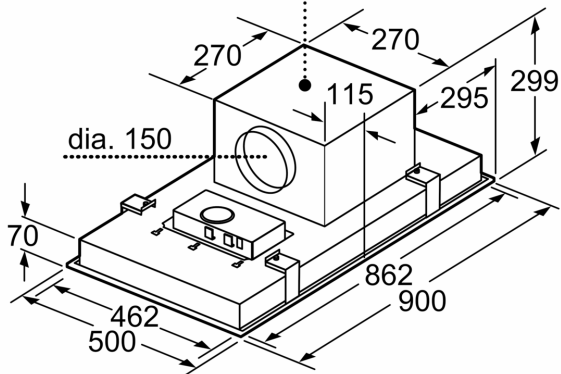
measurements in mm



A suitable load-bearing substructure is required for securing the extractor hood. Never fit the appliance directly onto plasterboard or similar lightweight construction materials.

measurements in mm

The fan outlet can
be turned in all
four directions



measurements in mm