

**Series 6, Canopy cooker hood, 70 cm, Stainless steel  
DHL785CGB**



DHZ5316	Standard odor filter (replacement)
DHZ5605	Standard recirculation kit
DWZ0IT0P0	Long Life odor filter (replacement)
DWZ1IT1D1	Long Life recirculation kit external
DWZ1IX1B6	Clean Air Plus odor filter (replacement)
DWZ1IX1C6	Clean Air Plus recirc. kit external

**Canopy cooker hoods are designed to be fully integrated for more flexibility when planning your kitchen.**

- **LED Illumination:** The energy-saving lighting provides bright and clear lighting for the hob area.
- **Intensive speed setting:** removes strong kitchen odours quickly and effectively.
- **High extraction rate - for continuously clean air in the kitchen.**
- **Intensive Setting:** the powerful way to beat intense steam during cooking, with automatic revert.
- **Dishwasher safe aluminum mesh filters**

Typology: ..... Built-in/Built-under  
 Length electrical supply cord: ..... 150.0 cm  
 Min. required niche size for installation (HxWxD): 418mm x 676.0mm x 264mm mm  
 Minimum distance above an electric hob: ..... 500 mm  
 Minimum distance above a gas hob: ..... 650 mm  
 Net weight: ..... 9.1 kg  
 Type of control: ..... Electronic  
 Number of speed settings: ..... 3-stages + intensive setting  
 Max. air extraction: ..... 630 m<sup>3</sup>/h  
 Boost position output recirculating: ..... 664 m<sup>3</sup>/h  
 Max. air recirculation: ..... 571 m<sup>3</sup>/h  
 Boost position air extraction: ..... 730 m<sup>3</sup>/h  
 Maximum Air flow: ..... 630 m<sup>3</sup>/h  
 Number of lights: ..... 2  
 Noise level: ..... 66 dB(A) re 1pW  
 Diameter of air outlet: ..... 120 / 150 mm  
 Grease filter material: ..... Washable aluminium  
 EAN code: ..... 4242002831206  
 Connection rating: ..... 277 W  
 Fuse protection: ..... 3 A  
 Voltage: ..... 220-240 V  
 Frequency: ..... 50 Hz  
 Plug type: ..... GB plug  
 Installation typology: ..... Built-in



## Series 6, Canopy cooker hood, 70 cm, Stainless steel DHL785CGB

\* In accordance with the EU-Regulation No 65/2014

**Canopy cooker hoods are designed to be fully integrated for more flexibility when planning your kitchen.**

### Key Information

- Energy Efficiency Class: C (at a range of energy efficiency classes from A+++ to D)
- Extraction rate exhaust air according to EN 61591:
  - max. normal use 630 m<sup>3</sup>/h, intensive 730 m<sup>3</sup>/h
- Noise max. Normal Level: Noise, max. speed in normal use: 66 dB dB\*

### Features

- Soft touch button control with Electronic display
- 3 power levels & intensive setting
- Automatic intensive revert (6mins)
- 2 x 1W LED
- 2 removable metal grease filter cassettes
- Filter cover stainless steel, Removable metal grease filters

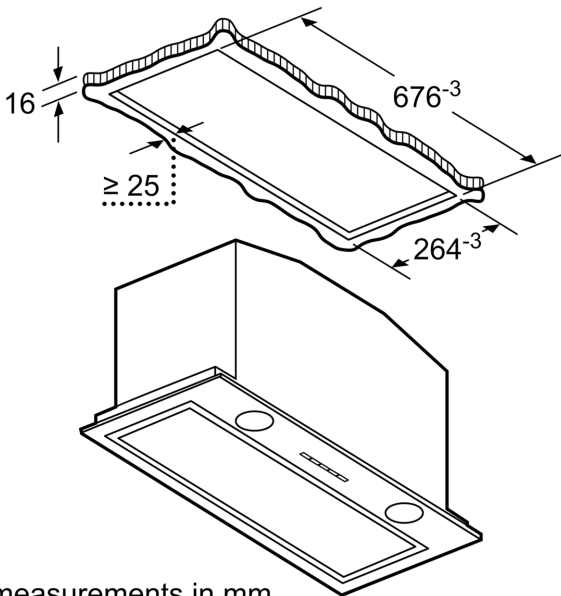
### Design

- Installation: Cabinet
- Brushed steel
- 70 cm wide
- Rim ventilation

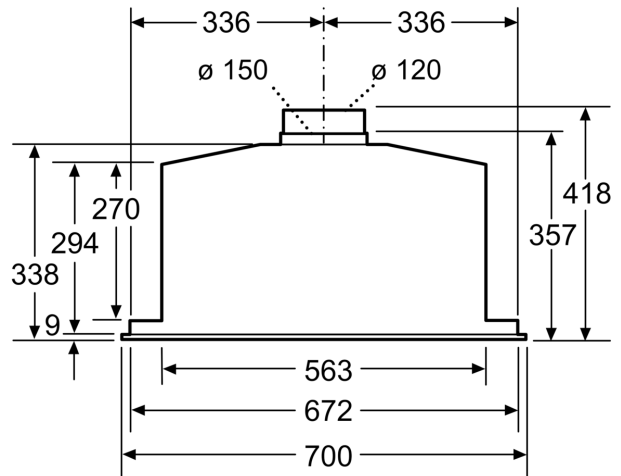
### Performance/technical information

- Suitable for ducted or recirculating operation
- For recirculated extraction recirculating kit or CleanAir recirculating kit (accessory) needed
- Extraction rate according to EN 61591 ø 15 cm:
  - max. Normal use 630m<sup>3</sup>/h
  - Intensive 730 m<sup>3</sup>/h
- Noise level according to EN 60704-3 and EN 60704-2-13 exhaust air:
  - Max. normal use: 66dB(A) re 1 pW
  - Intensive: 69 dB(A) re 1 pW
- With the Clean Air Plus recirculation kit (available as optional accessory) your appliances reaches:
  - Extraction rate in recirculation mode: Max. normal use: 571m<sup>3</sup>/h
  - Intensive: 664m<sup>3</sup>/h
- Noise level in recirculation mode: Max. normal use: 72dB(A) re 1 pW
- Intensive: 75 dB(A) re 1 pW
- Power rating: 277 W
- Light Intensity: 244 lux
- Colour Temperature: 4000 K
- Blower Efficiency Class: C\*
- Lighting Efficiency Class: A\*
- Grease Filtering Efficiency Class: D\*
- Average Energy Consumption: 104.2 kWh/year\*
- Diameter pipe ø 150 mm (ø 120 mm enclosed)
- Dimensions exhaust air (HxWxD): 418-418 x 700 x 300 mm
- Dimensions recirculating (HxWxD): 418-418 x 700 x 300 mm

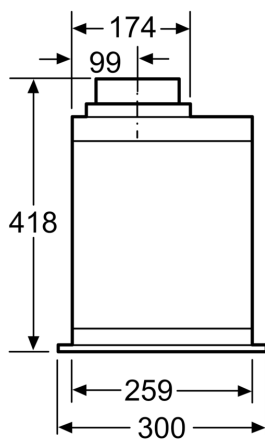
**Series 6, Canopy cooker hood, 70 cm, Stainless steel  
DHL785CGB**



measurements in mm

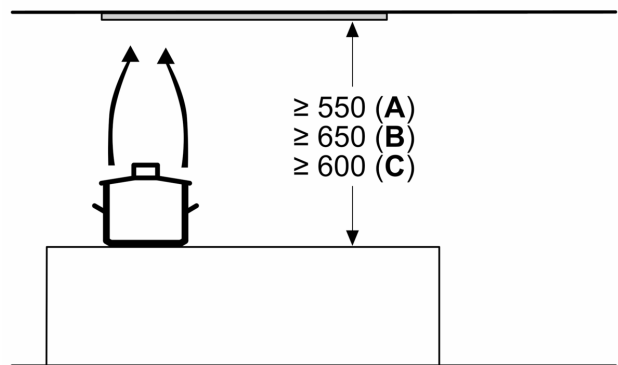


measurements in mm



measurements in mm

Measurements in mm



**A:** Electric

**B:** Gas - from upper edge of pan support

**C:** Electric - for Australia and New Zealand