

N 50, WALL-MOUNTED COOKER HOOD, 60 CM,  
STAINLESS STEEL  
D64QFM1NOB



Our classic design hood with a modern twist - experience the slim pyramid hood.

- ✓ Touch Control: an integrated flat surface control panel for smooth operation with a fingerswipe.
- ✓ Intensive speed setting: increases the extraction rate when the steam gets intense
- ✓ LED Lighting – Clear illumination while you cook.
- ✓ Reduced Noise: our optimised motor guarantees a quiet cooking experience.
- ✓ High Extraction Rate – ensures a clear view while cooking thanks to an efficient motor technology

### Features

#### Technical Data

Color chimney: .....	Stainless steel
Typology: .....	Wall-mounted
Length electrical supply cord: .....	130 cm
Height of the chimney: .....	582-912/582-1022 mm
Height of the appliance: .....	94 mm
Minimum distance above an electric hob: .....	550 mm
Minimum distance above a gas hob: .....	650 mm
Net weight: .....	12.8 kg
Type of control: .....	Electronic
Number of speed settings: .....	3-stages + intensive setting
Maximum output air extraction: .....	411 m <sup>3</sup> /h
Boost position output recirculating: .....	441 m <sup>3</sup> /h
Maximum output recirculating air: .....	337 m <sup>3</sup> /h
Boost position air extraction: .....	644 m <sup>3</sup> /h
Maximum Air flow: .....	411 m <sup>3</sup> /h
Number of lights: .....	2
Noise level: .....	62 dB(A) re 1pW
Diameter of air outlet: .....	120 / 150 mm
Grease filter material: .....	Washable aluminium
EAN code: .....	4242004224099
Connection Rating: .....	220 W
Fuse protection: .....	10 A
Voltage: .....	220-240 V
Frequency: .....	50; 60 Hz
Plug type: .....	GB plug
Installation typology: .....	Wall-mounted



### Optional accessories

Z51DXB1X4	Clean Air Standard odor filter (repl.)
Z51DXI1X4	Clean Air Standard recirculation kit
Z51DXI1X6	Clean Air Plus recirculation kit
Z51FXC1N6	Clean Air Plus recirc. kit external
Z51FXD1N1	Long Life recirculation kit external
Z51FXJ0X0	Long Life recirculation kit
Z53XXB1X6	Clean Air Plus odor filter (replacement)
Z5865N0	Stainless steel back panel 600 mm
Z5905N0	Chimney extension 1000 mm
Z5915N0	Chimney extension 1500 mm

N 50, WALL-MOUNTED COOKER HOOD, 60 CM,  
STAINLESS STEEL  
D64QFM1NOB

## Features

### Key performance features:

- Energy Efficiency Class: A (at a range of energy efficiency classes from A+++ to D)
- Extraction rate according to EN 61591 ø 15 cm:
- max. Normal use 410m<sup>3</sup>/h
- Intensive 644 m<sup>3</sup>/h
- Noise max. Normal Level: Noise, max. speed in normal us: 62 dB dB\*

\* In accordance with the EU-Regulation No 65/2014

### Features

- Touch control
- LED display
- 3 speeds plus intensive
- 2 x 1.5w LED Light
- Colour Temperature: 3500 K
- Automatic intensive revert (6mins)
- 2 metal grease filter cassettes
- Installation: wall

### Design

- Chimney hood
- Electronic controls

### Performance/technical information

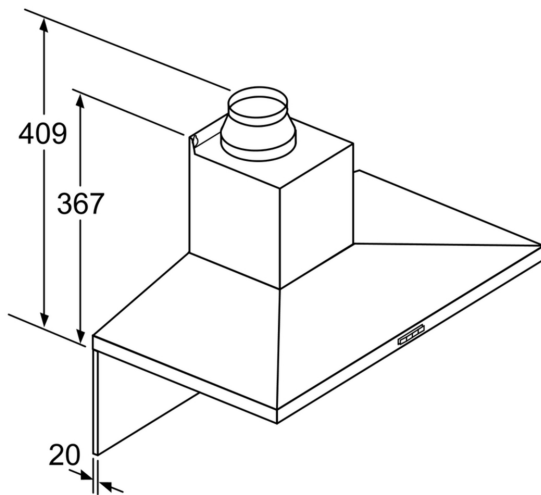
- Suitable for ducted extraction and recirculation
- For recirculated extraction recirculating kit or CleanAir recirculating kit (accessory) needed
- Max. extraction rate: 644 m<sup>3</sup>/h
- Noise level according to EN 60704-3 and EN 60704-2-13 at max. normal use exhaust air: 62 dB(A) re 1 pW
- Noise level according to EN 60704-3 and EN 60704-2-13 exhaust air:
- Max. normal use: 62dB(A) re 1 pW
- Intensive: 70 dB(A) re 1 pW
- Noise level according to EN 60704-3 and EN 60704-2-13 at maximum normal setting: extraction rate: 62 dB (A) re 1pW
- Power rating: 220 W
- Light Intensity: 242 lux
- Electrical cable length 1.3 m
- Diameter pipe ø 150 mm (ø 120 mm enclosed)
- Dimensions exhaust air (HxWxD): 676-1006 x 600 x 500 mm
- Dimensions recirculating (HxWxD): 676-1116 x 600 x 500 mm
- Dimensions recirculating with CleanAir module (HxWxD):
- 744 x 600 x 500mm - mounting with outer chimney
- 874-1204 x 600 x 500 mm - mounting with telescopic chimney
- Blower Efficiency Class: A\*
- Lighting Efficiency Class: A\*
- Grease Filtering Efficiency Class: B\*
- Average Energy Consumption: 41.7 kWh/year\*

### Optional accessories

- Recirculating kit Z50XXPOX0

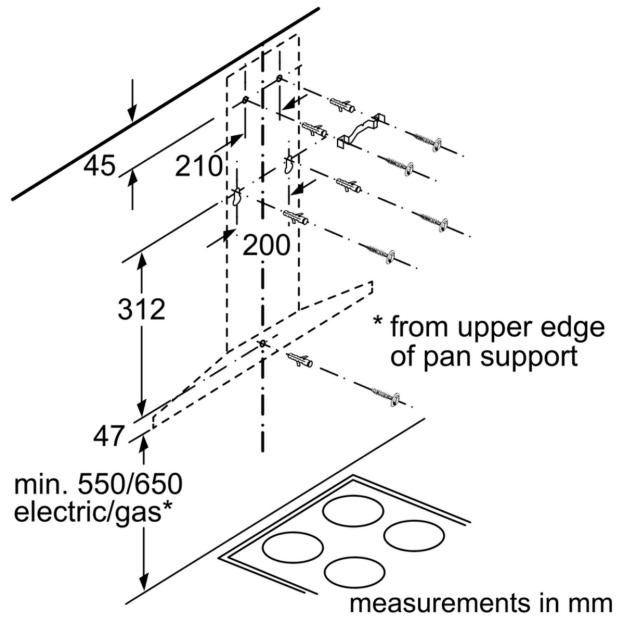
N 50, WALL-MOUNTED COOKER HOOD, 60 CM,  
STAINLESS STEEL  
D64QFM1NOB

Dimensioned drawings

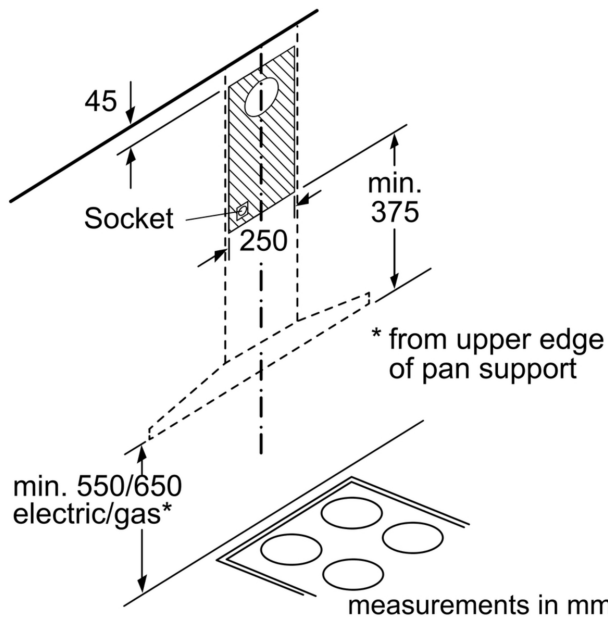


If a back panel is used, the design of the appliance must be considered.

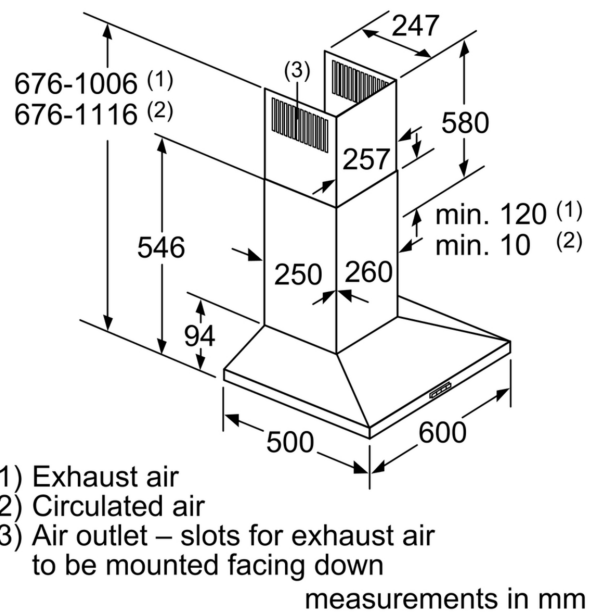
measurements in mm



measurements in mm



measurements in mm



measurements in mm