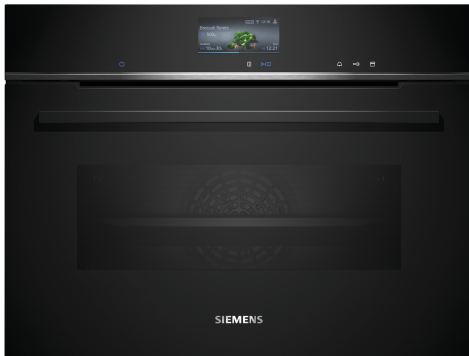


iQ700, Built-in compact oven with steam function, 60 x 45 cm, Black CS736G1B1



Shorten your cooking time thanks to fast preheat and coolStart. And remote your oven from anywhere with Home Connect.

- ✓ Oven Assistant with Voice Control: intuitively select the right programme.
- ✓ ecoClean: Cut down on oven cleaning
- ✓ humidClean Plus: softens dirt by vaporising soapy water. Making it easy to wipe away.
- ✓ fullSteam Plus: for fast, healthy steam cooking.
- ✓ Home Connect with Remote Control: unlock the full potential of your smart oven.

Features

Technical Data

Built-in / Free-standing: Built-in
 Door opening: Drop down
 Min. required niche size for installation (HxWxD): 450-455 x 560-568 x 550 mm
 Dimensions: 455 x 594 x 548 mm
 Dimensions of the packed product (HxWxD): ... 520 x 650 x 700 mm
 Control Panel Material: Glass
 Door Material: Glass
 Weight: 34.9 kg
 Length electrical supply cord: 150.0 cm
 EAN code: 4242003901441
 Fuse protection: 16 A
 Nominal power: 220-240 V
 Frequency: 50; 60 Hz
 Plug type: Gardy plug w/ earthing
 Number of cavities (2010/30/EC): 1
 Usable volume (of cavity) - NEW (2010/30/EC): 47 l
 Energy efficiency rating: A+
 Energy consumption per cycle conventional (2010/30/EC): 0.73 kWh/cycle
 Energy consumption per cycle forced air convection (2010/30/EC): 0.61 kWh/cycle
 Energy efficiency index (2010/30/EC): 81.3 %
 Included accessories: 1 x grid, 1 x universal pan, 1 x steam container, punched, size XL, 1 x Steam container, unpunched, size M



Included accessories

1 x grid, 1 x universal pan, 1 x steam container, size XL, punched, 1 x Steam container, unpunched, size M

Optional accessories

HZ32WA00 Wireless food thermometer, HZ530000 2 multipurpose pans, slim size, HZ531010 Baking tray, non-stick ceramic coated, HZ532010 Universal pan, non-stick ceramic coated, HZ617000 Pizza pan, enamelled, HZ629070 Air Fry & Grill tray, HZ631070 Baking tray, enamelled, HZ632070 Multipurpose pan, enamelled, HZ636000 Glass pan, HZ638D00 Full ext rails, level independent, steam, HZ664000 Baking and roasting grid (steam), HZ66D52 2 steamcontainer(punched/unpunched)sizeM, HZ66X600 Decor list, HZ66X650 Cover Strip, HZ915003 Glass roasting dish, 5,4 L, HZG0AS00 Connecting cable 3m

iQ700, Built-in compact oven with steam function, 60 x 45 cm, Black CS736G1B1

Features

Features

- Compact steam oven with 21 heating methods: conventional top & bottom heating, full width grill, half width grill, coolStart, bottom heat, low temperature cooking, keep warm, plate warming, Conventional heat gentle, steam, reheating with steam, Dough proving, defrost, Hot air grilling, warming, 4D Hot air, Top/bottom heat
- Temperature range 30 °C - 250 °C
- 120 °C
- Cavity volume: 47 litre capacity

Level independent telescopic rails

- 3 shelf positions
- Cavity with shelf support rails

Design

- Touch control
- Cavity inner surface: enamel anthracite

Cleaning

- EcoClean Direct : back panel
- hydrolyse program
- Full glass inner door

Programmes/functions

- Oven Assistant with Voice Control
- SE62
- Electronic oven clock timer
- Digital temperature display with proposal
- Actual temperature display Heating-up indicator
- Drop down oven door, softClose, softOpen
- cookControl Plus
- Fast preheat
- coolStart
- steam boost - add for 3min intensive steam with a touch of a button.
- There are different steam intensities selectable: steam level high, steam level middle, steam level low
- LED light, Light on/off when door opened/closed
- Tank empty indicator
- Location of water tank: Outside cavity
- Integral cooling fan
- WLAN - Home connect enabled

Accessories

- 1 x Steam container, punched, size M, 1 x Steam container, unpunched, size M, 1 x grid, 1 x steam container, punched, size XL, 1 x universal pan

Features

- Heat reflective glass
- Control panel lock
- Automatic safety switch off Residual heat indicator Start button Door contact switch

Technical information

- Power cord length 150 cm Cable length
- Nominal voltage: 220 - 240 V
- Total connected load electric: 3.3 KW
- Energy efficiency rating (acc. EU Nr. 65/2014): A+
- Energy consumption per cycle in conventional mode:0.73 kWh
- Energy consumption per cycle in fan-forced convection mode:0.61 kWh
- Number of cavities: Main cavity Heat source: electrical Cavity volume:47 litre capacity

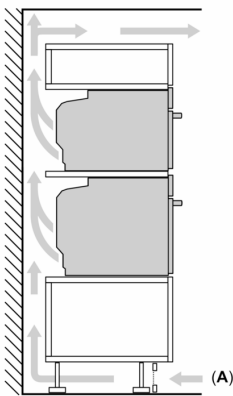
Performance/technical information

- Appliance dimension (hwxwd): 455 mm x 594 mm x 548 mm
- Niche dimension (hwxwd): 450 mm - 455 mm x 560 mm - 568 mm x 550 mm
- Please refer to the dimensions provided in the installation manual

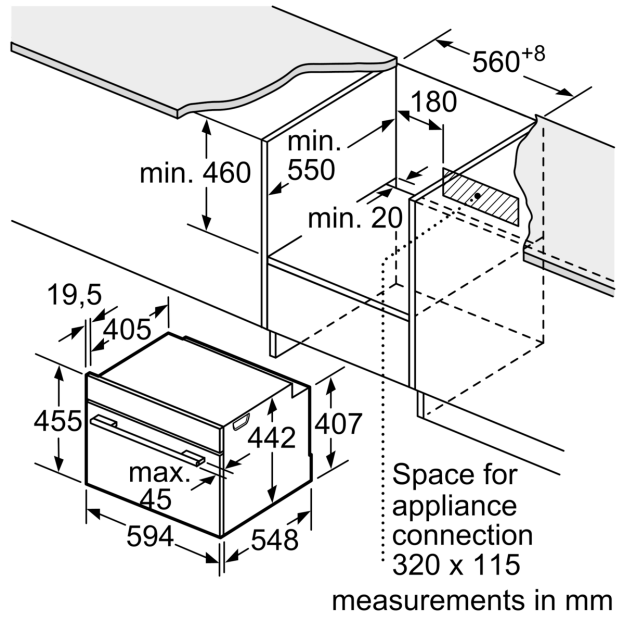
iQ700, Built-in compact oven with steam function, 60 x 45 cm, Black CS736G1B1

Dimensioned drawings

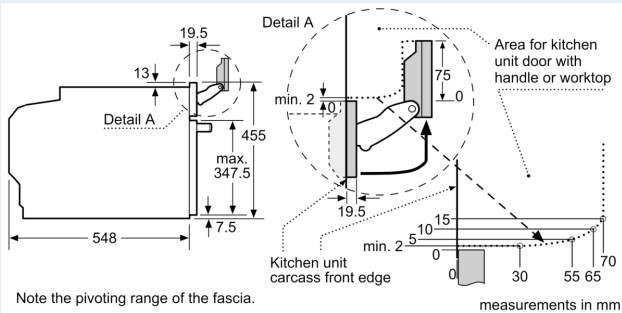
Installing two appliances on top of each other
Air exchange



A: Air inlet $\geq 200 \text{ cm}^2$

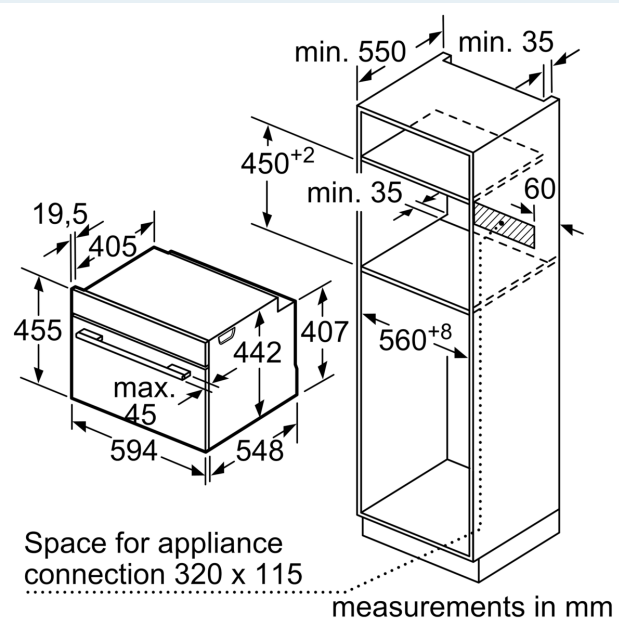


Space for appliance connection 320 x 115 measurements in mm



Note the pivoting range of the fascia.

measurements in mm

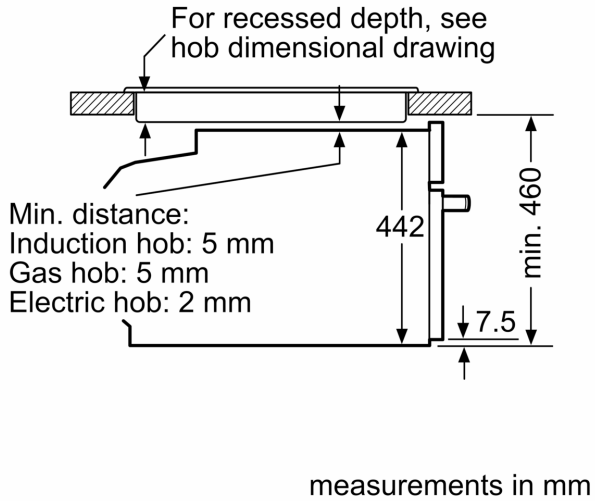


Space for appliance connection 320 x 115

measurements in mm

Dimensioned drawings

Installation with a hob.



If the compact appliance will be installed underneath a hob, the following worktop thicknesses (including substructure if necessary) must be taken into account.

Hob type	min. worktop thickness	
	fitted	flush
Induction hob	42 mm	43 mm
Full surface Induction hob	52 mm	53 mm
Gas hob	32 mm	43 mm
Electric hob	32 mm	35 mm