

iQ500, Built-in compact microwave with steam function, 60 x 45 cm, Stainless steel CP565AGS0B




- 1 x insert grid, 1 x plug-in grid, 1 x glass pan, 1 x steam container
- HZ915003 Glass roasting dish, 5,4 L

45 cm high built-in microwave with hot air and steam function for gentle preparation of dishes in the shortest possible time.

- ✓ fast preheat: reach the required cooking temperature sooner.
- ✓ cookControl30: automatic programs ensure best results.
- ✓ lightControl: intuitive operation thanks to the illuminated dial.
- ✓ hotAir: optimum baking results thanks to ideal heat distribution.

Additional functions: Microwave only
 Control panel: Electronic
 Dimensions: 455x594x545 mm
 Cavity dimensions: 236 x 432 x 350 mm
 Length electrical supply cord: 150.0 cm
 Weight: 30.6 kg
 Gross weight: 34.3 kg
 EAN code: 4242003803929
 Maximum micro-wave power: 1000 W
 Connection Rating: 3100 W
 Fuse protection: 16 A
 Nominal power: 220-240 V
 Frequency: 50 Hz
 Plug type: fixed connection (electrical connection by electrician)
 Included accessories: . 1 x insert grid, 1 x plug-in grid, 1 x glass pan, 1 x steam container



iQ500, Built-in compact microwave with steam function, 60 x 45 cm, Stainless steel CP565AGS0B

Design

- lightControl: intuitive operation thanks to the illuminated dials
- Stainless steel control dial, lightControl: intuitive operation thanks to the illuminated dials, Touch control, Start button
- Bar handle
- Touch key operation
- Drop down oven door
- LCD display, White display with blue indicator lights
- stainless steel, Stainless steel cavity with glass base cavity with Stainless steel cavity with glass base, stainless steel

Features

- Intelligent microwave inverter technology: For optimised results maximum output power will be regulated to 600 W when used in longer operation for gentler cooking.
- Control panel lock
- Automatic safety switch off Start button Door contact switch
- cookControl, 30
- LED light
- Integral cooling fan
- Electronic oven clock timer, electronic timer
- Automatic water tank detection

Cleaning

- Catalytic back liner
- Descaling programme

Programmes/functions

- Built-in Microwave with steam function with the heating functions: Microwave, steam, Hot Air Standard, hot air grilling, full width grill
- Maximum microwave power level: 1000 W and the following options 1000 W, 180 W, 360 W, 600 W, 90 W
- 2 KW grill function
- Grill and microwave power levels 90 W, 180 W, 360 W, 600 W combinable
- All heating functions may be used separately or in combination
- 4 defrost and 26 cooking programmes
- fast pre-heat

Accessories

- 1 x steam container, 1 x insert grid, 1 x plug-in grid, 1 x glass pan

Performance/technical information

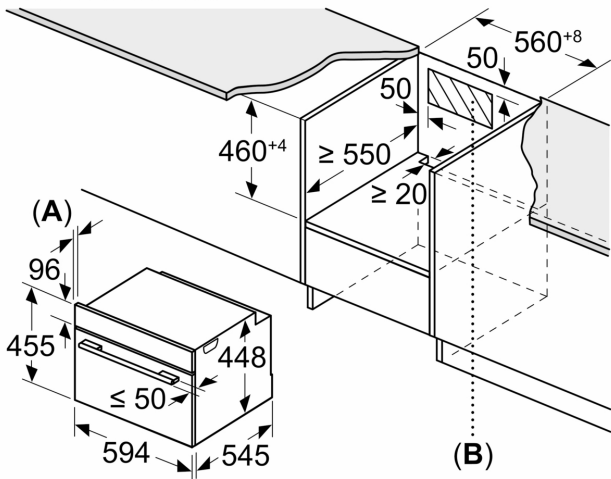
- Cavity volume: 36 l
- Location of water tank: Outside cavity
- 0.8 l Water tank capacity:
- Temperature range 40 °C - 230 °C
- Power cord length 150 cm Cable length
- Total connected load electric: 3.1 KW
- Nominal voltage: 220 - 240 V
- Appliance dimension (hxwx): 455 mm x 594 mm x 545 mm

- Niche dimension (hxwx): 450 mm - 452 mm x 560 mm - 568 mm x 550 mm

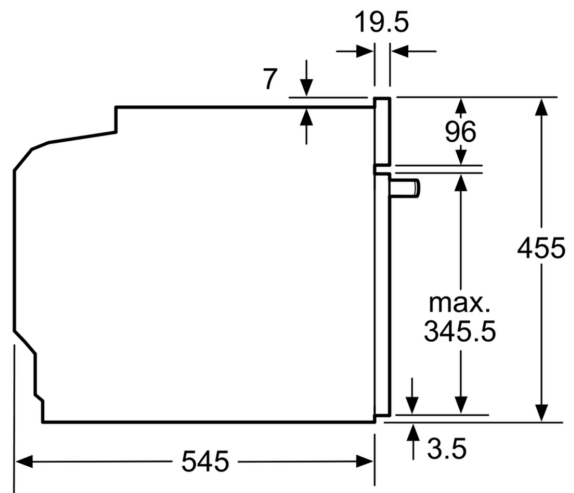
- Please refer to the dimensions provided in the installation manual

iQ500, Built-in compact microwave with steam function, 60 x 45 cm, Stainless steel CP565AGS0B

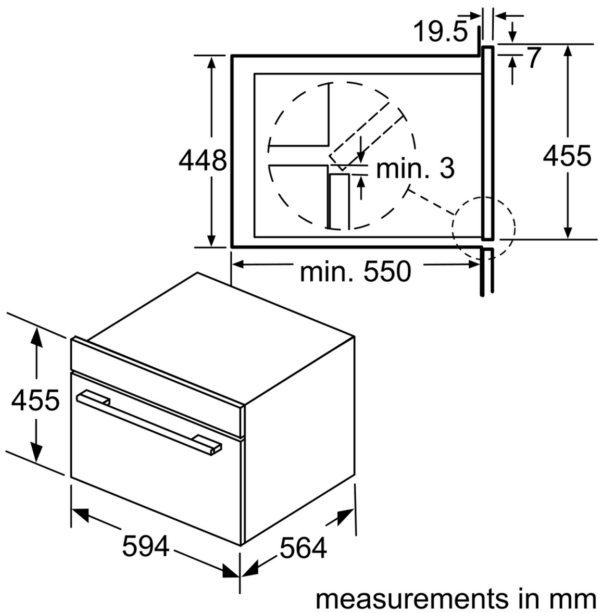
measurements in mm



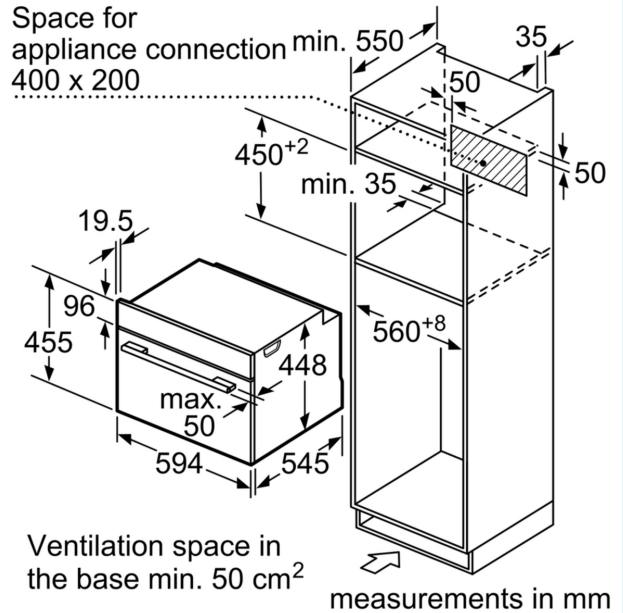
A: 19.5
B: Space for appliance connection 400 x 200



measurements in mm



measurements in mm



measurements in mm