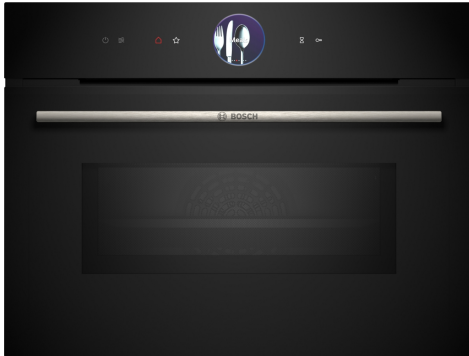


**Series 8, Built-in compact oven with microwave function, 60 x 45 cm, Black
CMG7761B1B**



The compact microwave oven with Digital Control Ring and TFT-touchdisplay: enables you to achieve perfect baking and roasting results very quickly. Home Connect for control via the App.

- **Digital Control Ring:** simple and intuitive oven control.
- **TFT Touch Display Plus:** intuitive control with the Digital Control Ring and enlarged TFT touchscreen
- **4D Hotair:** even heat distribution for perfect results.
- **Hotair Gentle:** saves energy while baking and roasting.
- **Oven Assistant with Voice Control:** easily set the right programme.

Type of micro-wave oven:MW-Combi
 Type of control:Electronic
 Dimensions: 455x594x548 mm
 Cavity dimensions: 237 x 480 x 392 mm
 Length electrical supply cord: 150.0 cm
 Net weight: 35.9 kg
 Gross weight: 38.9 kg
 EAN code: 4242005326044
 Max. microwave power level: 900 W
 Connection rating: 3600 W
 Fuse protection: 16 A
 Voltage: 220-240 V
 Frequency: 50; 60 Hz
 Plug type: no plug (electrical connection by electrician)
 Included accessories: 2 x combination grid, 1 x universal pan

2 x combination grid, 1 x universal pan

HEZ327000 Pizza stone, HEZ530000 Half tray, HEZ531010 Baking tray, non-stick ceramic coated, HEZ532010 Universal pan, non-stick ceramic coated, HEZ617000 Pizza pan, enamelled, HEZ629070 Air Fry & Grill tray, HEZ631070 Baking tray, enamelled, HEZ632070 Multipurpose pan, enamelled, HEZ634000 Baking and roasting grid, HEZ636000 Glass pan, HEZ660050 Cover Strip, HEZ660060 Strip, HEZ664000 Baking and roasting grid, steam, HEZ915003 Glass roasting dish, 5,4 L



Series 8, Built-in compact oven with microwave function, 60 x 45 cm, Black CMG7761B1B

The compact microwave oven with Digital Control Ring and TFT-touchdisplay: enables you to achieve perfect baking and roasting results very quickly. Home Connect for control via the App.

- Control panel lock Automatic safety switch off Residual heat indicator Start button Door contact switch

Technical information

- Power cord length 150 cm Cable length
- Nominal voltage: 220 - 240 V
- Total connected load electric: 3.6 KW

Performance/technical information

- Appliance dimension (hxwxh): 455 mm x 594 mm x 548 mm
- Niche dimension (hxwxh): 450 mm - 455 mm x 560 mm - 568 mm x 550 mm
- Please refer to the dimensions provided in the installation manual

Features

- Compact oven with microwave with 20 heating methods: conventional top and bottom heat, full width variable grill, half width grill, bottom heat, low temperature cooking, defrost, plate warming, keep warm, Conventional heat gentle, Microwave, 4D Hot air, Conventional heat, Full width grill, Half width grill, Hot air grilling
- Max. Power: 900 W; 5 Microwave power settings (90 W,180 W,360 W,600 W, boost) with Inverter (MW)
- Intelligent microwave inverter technology: For optimised results maximum output power will be regulated to 600 W when used in longer operation for gentler cooking.
- Temperature range 30 °C - 230 °C
- Cavity volume: 45 litre capacity

Level independent telescopic rails

- 3 shelf positions

Design

- Touch controls
- Digital Control Ring
- Cavity inner surface: enamel anthracite

Cleaning

- Pyrolytic self-cleaning function
- hydrolyse program

Programmes/functions

- Oven Assistant with Voice Control
- BE62
- Electronic clock timer
- Digital temperature display with proposal
- Actual temperature display Heating-up indicator
- Drop down door, SoftClose, SoftOpen
- BoschAssist
- Fast pre-heating function
- LED light, Light on/off when oven door opened/closed
- Integral cooling fan
- Home Connect ready

Accessories

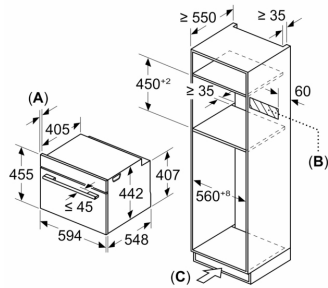
- 2 x combination grid, 1 x universal pan

Features

- Maximum window temperature 30° C
- Quadruple glazed door with heat reflective glass glazed CoolTouch door
- Electronic door lock

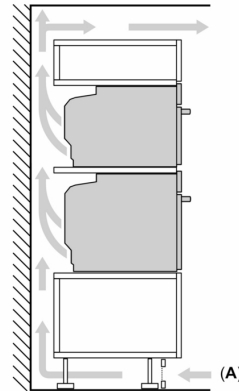
**Series 8, Built-in compact oven with
microwave function, 60 x 45 cm,
Black
CMG7761B1B**

Measurements in mm

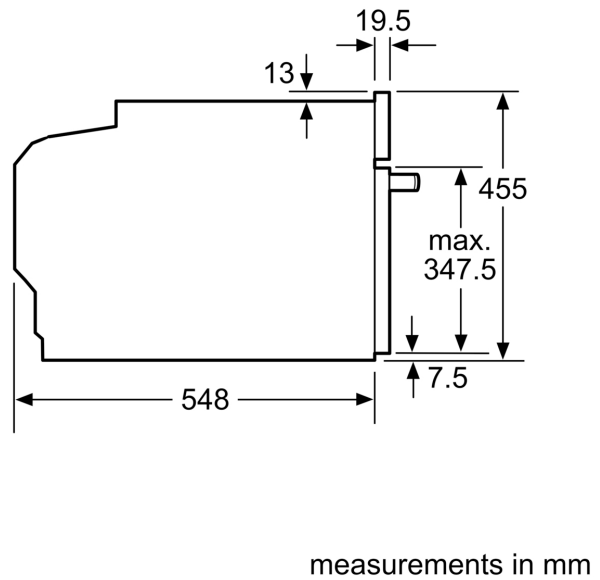
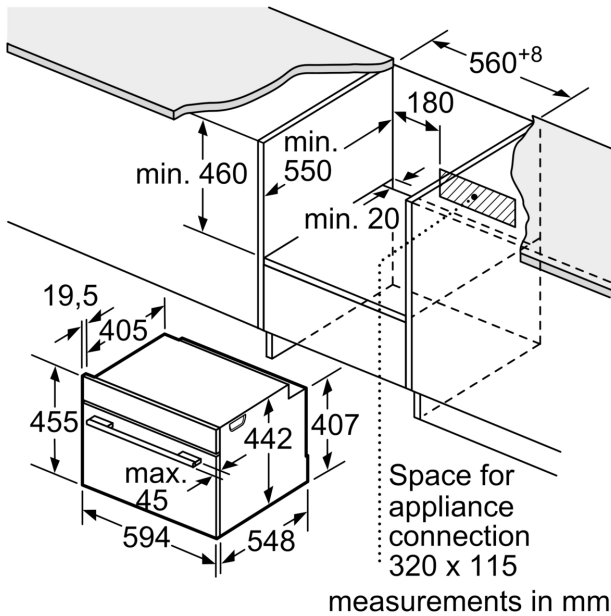


- A: 19.5 mm
- B: Space for appliance connection
320 x 115 mm
- C: Ventilation space in the base \geq
200 cm²

**Installing two appliances on top of each other
Air exchange**

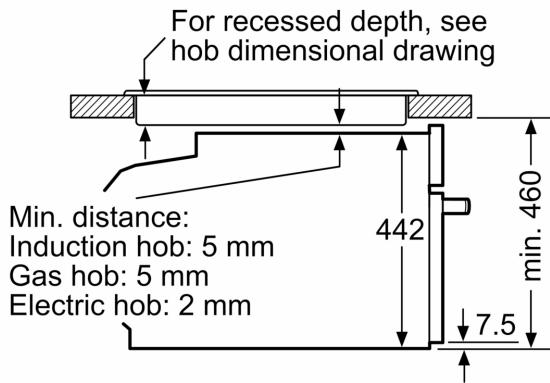


A: Air inlet \geq 200 cm²



Installation with a hob.

If the compact appliance will be installed underneath a hob, the following worktop thicknesses (including substructure if necessary) must be taken into account.



measurements in mm

Hob type	min. worktop thickness	
	fitted	flush
Induction hob	42 mm	43 mm
Full surface Induction hob	52 mm	53 mm
Gas hob	32 mm	43 mm
Electric hob	32 mm	35 mm