

**Series 4, Built-in microwave oven with hot air, 60 x 45 cm, Black CMA583MB0B**



1 x grid high, 1 x grid flat, 1 x Turntable

- HEZ317000 Pizza pan, enamelled
- HEZ86D000 Steamer Cooker Accessory for Microwave
- HEZ915003 Glass roasting dish, 5,4 L

**The built-in compact microwave defrosts, heats and cooks helping you prepare food in the kitchen.**

- **Hotair:** perfect results on one level thanks to optimal distribution of heat.
- **AutoPilot 15:** every dish is a perfect success thanks to 15 pre-set automatic programmes.
- **LCD display control, red:** easy-to-use thanks to direct access to additional functions, temperature recommendation and temperature indication.
- **Pop-out controls:** Make the front of the oven easy to clean and give it a sleek look.
- **Cleaning Assistance:** less cleaning effort thanks to the new cleaning option, which can be especially used for cleaning of light soiling.

Type of micro-wave oven: .....MW-Combi  
 Type of control: .....Electronic  
 Dimensions: ..... 454x594x570 mm  
 Cavity dimensions: ..... 220 x 420 x 420 mm  
 Length electrical supply cord: ..... 150.0 cm  
 Net weight: ..... 35.3 kg  
 Gross weight: ..... 39.9 kg  
 EAN code: .....4242005279524  
 Max. microwave power level: ..... 900 W  
 Connection rating: ..... 3350 W  
 Fuse protection: .....16 A  
 Voltage: ..... 220-240 V  
 Frequency: ..... 50 Hz  
 Plug type: .....fixed connection (electrical connection by electrician)  
 Included accessories: ..... 1 x grid high, 1 x grid flat, 1 x Turntable



## **Series 4, Built-in microwave oven with hot air, 60 x 45 cm, Black CMA583MB0B**

**The built-in compact microwave defrosts,  
heats and cooks helping you prepare food  
in the kitchen.**

### **Design**

- LCD Display, red display
- Rotary dial, Retractable control dials, Touch controls, round, Start button
- Electronic clock timer
- Cavity inner surface: stainless steel
- User-friendly electronics: extremely
- easy and comfortable operation
- 36 cm Metal turntable
- Drop down door
- Touch key operation

### **Features**

- Straight bar handle
- AutoPilot, 15
- Control panel lock
- Automatic safety switch off Door contact switch
- Integral cooling fan
- Stainless-steel fan

### **Accessories**

- 1 x grid high, 1 x grid flat, 1 x Turntable

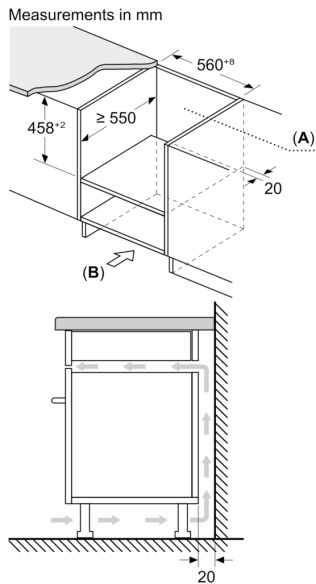
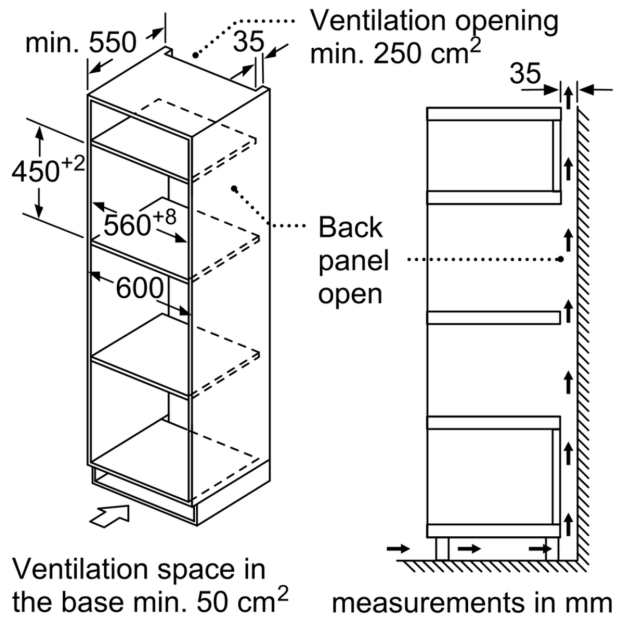
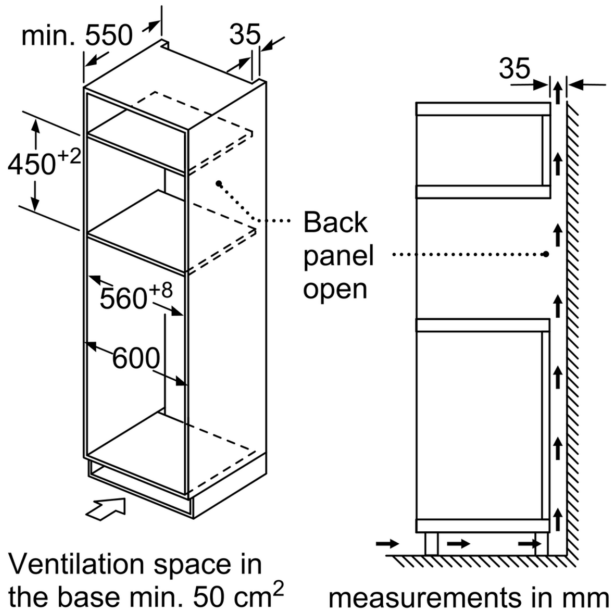
### **Programmes/functions**

- Built-in Microwave with hot air function with the heating functions: Microwave, Hot Air Cooking, Hotair grilling, full width variable grill, pizza function
- 900 W maximum microwave power and the following options 180 W, 360 W, 600 W, 90 W, 900 W
- Temperature range 40 °C - 230 °C
- 1.75 KW grill function
- Grill and microwave power levels 90 W, 180 W, 360 W, 600 W combinable
- Microwave may be used separately or in combination
- 4 defrost and 3 cooking programmes in microwave function, 8 programmes for combination function
- Fast pre-heating function

### **Performance/technical information**

- Cavity volume: 44 l
- Total connected load electric: 3.35 KW
- Nominal voltage: 220 - 240 V
- Power cord length 150 cm Cable length
- installation in tall housing
- Appliance dimension (hxwx): 454 mm x 594 mm x 570 mm
- Niche dimension (hxwx): 450 mm x 452 mm x 560 mm - 568 mm x 550 mm
- Please refer to the dimensions provided in the installation manual

**Series 4, Built-in microwave oven  
with hot air, 60 x 45 cm, Black  
CMA583MB0B**



A: Back wall open

B: Ventilation space in the plinth ≥ 50 cm<sup>2</sup>

